



ARROWHEAD
ROCKDRILL



Contents

Company History and Values.....	3
Hammers.....	4
Compact.....	5
Skid.....	6
Heavy.....	7
Skid Steer.....	8
Post.....	9
ACP.....	10
ACW.....	11
Authorised Distributors.....	12

Our products are distributed in the USA through authorised distributors. Please refer to the back cover of this catalogue to find the local dealers in your area.

Company History & Our Values

Since 1978 Arrowhead Rockdrill have been world leaders in the development and manufacture of innovative hydraulically operated construction attachments. All Arrowhead Rockdrill products are designed with efficiency, simplicity and reliability at their core and are manufactured using only the highest quality materials.

All Arrowhead Rockdrill products are designed by our committed in-house design team and are manufactured entirely at our production facilities in Chesterfield, England. Our investment in state of the art CNC machinery ensures all Arrowhead Rockdrill products are made only to the highest quality as you would expect of a worldwide market leader.

It is our mission to provide premium quality, industry leading products, supported at the highest level, at great prices. This commitment is why Arrowhead Rockdrill products are the first choice for a large number of users all around the globe and why we have products at work on every continent.



Value Through Innovation

Arrowhead Rockdrill's straightforward designs give all our products long, trouble-free lifetimes with minimal down time adding value to your business and giving rapid returns on your capital investment. All our products come with industry leading after sales and technical support and some of the best warranty programs in the business.

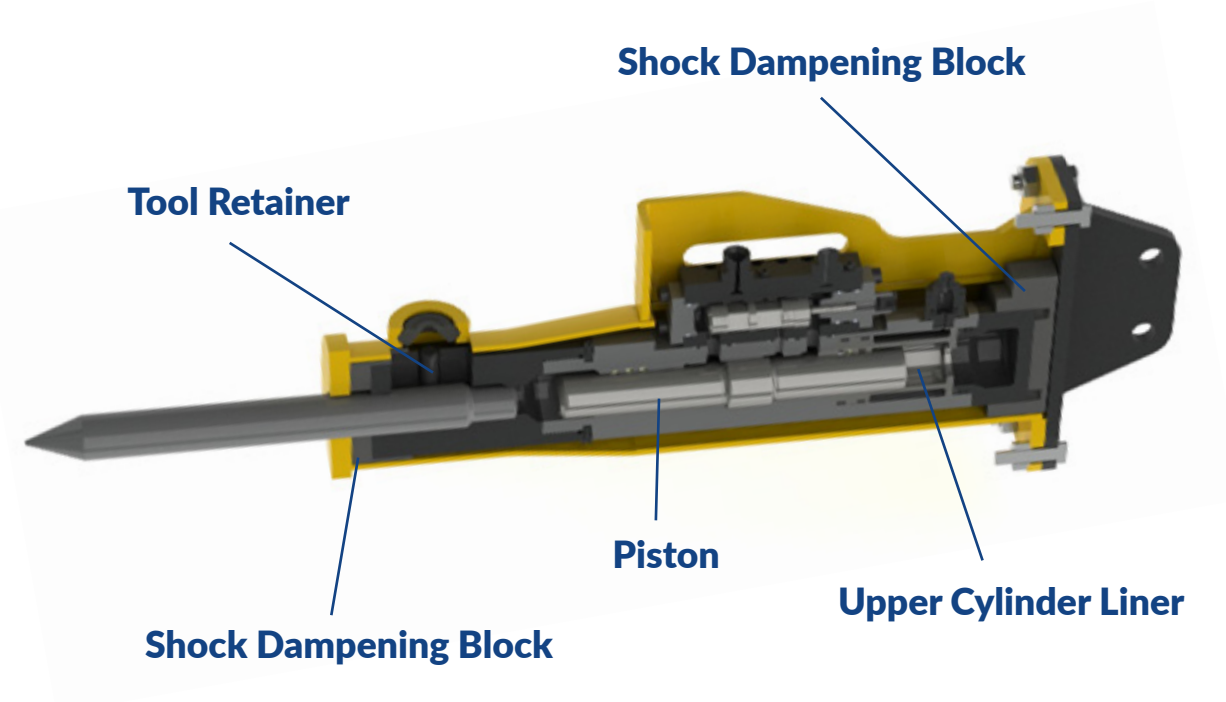
HYDRAULIC HAMMERS

R RANGE HYDRAULIC HAMMERS

Arrowhead Rockdrill's R Range hydraulic hammers bring a new industry leading tie-rodless hammer to the market. Based around a unique patented design the R Range hammers eliminate the need for tie rods in the hammer assembly increasing the robustness of the hammer while simplifying its construction. The R Range hammers are a compact and powerful design suitable for a wide variety of applications all with the effective price and industry leading support our customers deserve.

Features of the RS Range

- Tie-rodless hammer design
- Narrow box design provides superior access to surfaces in confined spaces such as trenching work
- Vibration and sound suppressed as standard
- The hammer can be fully serviced using no specialty tools
- Powerful gas fired operation using less oil at lower working pressures
- Excavator friendly



HYDRAULIC HAMMERS

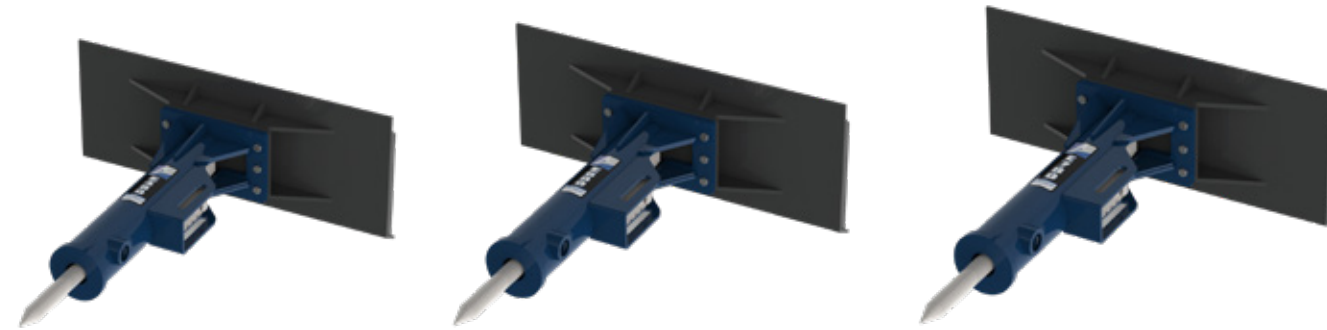
COMPACT 'R' RANGE



Specifications		R40	R45	R55	R65	R70	R75
Required Flow Rate	us g/m	4 - 8	7 - 11	10 - 15	12 - 18	14 - 21	17 - 26
	L/m	14 - 30	25 - 45	40 - 60	45 - 70	55 - 80	65 - 100
Operating Pressure	psi	1800	1300	1600	1600	1600	1800
	bar	120	90	110	110	110	120
Blow Rate	per minute	650 - 1100	650 - 1100	700 - 1250	550 - 1200	650 - 1400	550 - 1200
Sound Rating	dB	112	116	117	118	118	121
Tool Diameter	inches	1.6	1.8	2.1	2.6	2.75	3.0
	mm	40	45	55	65	70	75
Working Weight	lbs	190	265	330	440	485	675
	kg	85	120	150	200	220	305
Carrier Weight	lbs	1560 - 2250	2250 - 6150	4450 - 8890	8800 - 11000	11000 - 17600	13200 - 18700
	tonnes	0.7 - 1.5	1.5 - 2.8	2.8 - 4.0	4.0 - 5.5	5 - 7	6.0 - 8.5

HYDRAULIC HAMMERS E RANGE SKID STEER

The Arrowhead Rockdrill E range of hydraulic hammers are designed specifically for the user that expects the quality and reliability of a market leading product but requires maximum return on investment with minimum cost of ownership. For the skidsteer machine the Arrowhead Rockdrill E range provides a powerful, simple solution that competes at the highest level but at a price that is difficult to beat.



Features

- Vibration and sound suppressed as standard
- Powerful gas fired operation using less oil at lower working pressures
- Heavy duty box design for specialist Skid Steer application

Specifications		E480	E680	E780
Required Flow Rate	us g/m	8 - 13	13 - 21	21 - 32
	L/m	30 - 50	50 - 80	80 - 120
Operating Pressure	psi	1450	1595	1740
	bar	100	110	120
Blow Rate	per minute	700 - 1250	700 - 1400	600 - 1200
Sound Rating	dB	116	118	121
	inches	1.9	2.7	3.1
Tool Diameter	mm	48	68	78
	lbs	275	620	840
Working Weight	kg	150	280	380
	lbs	3300 - 6600	6600 - 13200	13200 - 22000
Carrier Weight	tonnes	1.5 - 3	3 - 6	6 - 10

HYDRAULIC HAMMERS HEAVY 'R' RANGE

Features

- Tie-rodless hammer design
- Narrow round box provides superior access to surfaces in confined spaces such as trenching work
- Vibration and sound suppressed at standard
- Full servicing using no specialist tools
- Powerful gas fired operation using less oil at lower working pressures
- Excavator friendly



Specifications		R90	R100	R120	R140	R155
Required Flow Rate	us g/m	24 - 32	26 - 37	24 - 40	40 - 53	45 - 58
	L/m	90 - 120	100 - 140	90 - 150	150 - 200	170 - 220
Operating Pressure	psi	1885	1885	1885	1885	2175
	bar	130	130	130	130	150
Blow Rate	per minute	600 - 1200	800 - 1400	400 - 700	400 - 700	380 - 500
Sound Rating	dB	123	123	125	127	129
	inches	3.5	3.9	4.7	5.5	6
Tool Diameter	mm	90	100	120	140	155
	lbs	1146	1455	2667	3483	5000
Working Weight	kg	520	660	1210	1580	2250
	lbs	17640 - 28660	28660 - 35275	35275 - 46300	44095 - 63935	56000 - 86000
Carrier Weight	tonnes	8 - 13	13 - 16	16 - 21	20 - 29	25 - 39

POST DRIVERS

E RANGE SKID STEER POST DRIVER

The Arrowhead Rockdrill E range of post driving hammers are designed specifically for the post driving application with a market leading product. The E range post driver offers excellent performance for minimum cost of ownership. The Arrowhead Rockdrill E range provides a powerful, simple solution that competes at the highest level but at a price that is difficult to beat.



Features

- Vibration and sound suppressed as standard
- Powerful gas fired operation using less oil at lower working pressures
- Heavyduty construction for the toughest jobs
- Efficientlydrivesposts, even in hard ground

Specifications		E480	E680	E780
Required Flow Rate	us g/m	8 - 13	13 - 21	21 - 32
	L/m	30 - 50	50 - 80	80 - 120
Operating Pressure	psi	1450	1595	1740
	bar	100	110	120
Blow Rate	per minute	700 - 1250	700 - 1400	600 - 1200
Sound Rating	dB	116	118	121
Tool Diameter	inches	1.9	2.7	3.1
	mm	48	68	78
Working Weight	lbs	440	750	980
	kg	200	340	445
Carrier Weight	lbs	3300 - 6600	6600 - 13200	13200 - 22000
	tonnes	1.5 - 3	3 - 6	6 - 10

POST DRIVERS

THE ARROWHEAD RANGE

Unique design for a multipurpose tool. Top mount for regular use as a breaker, side mount for post driving functions.

Dual mounting allows for greater control and flexibility. Swap the point or chisel out for a post driver and quickly drive posts in.

Swap to the low side mount when only driving posts to allow for ease of positioning and superior control. Making it easier to line posts up before driving them in.

Low side mount allows for superior access in areas with minimal head space.

In addition the low side mount means taller posts will be easier to handle.



Specifications		R40	R45	R55	R65
Required Flow Rate	us g/m	4 - 8	7 - 11	10 - 15	12 - 18
	L/m	14 - 30	25 - 45	40 - 60	45 - 70
Operating Pressure	psi	1800	1300	1600	1600
	bar	120	90	110	110
Blow Rate	per minute	650 - 1100	650 - 1100	700 - 1250	550 - 1200
Sound Rating	dB	112	116	117	118
Tool Diameter	inches	1.6	1.8	2.1	2.6
	mm	40	45	55	65
Working Weight	lbs	363	407	440	760
	kg	165	185	200	345
Carrier Weight	lbs	1560 - 2250	2250 - 6150	4450 - 8890	8800 - 11000
	tonnes	0.7 - 1.5	1.5 - 2.8	2.8 - 4.0	4.0 - 5.5

VIBRATORY COMPACTION PLATES

ACP RANGE

The Arrowhead Rockdrill ACP Range are built using our unique 'V' profile design enabling powerful compaction and sheet/post/pile driving while delivering superior vibration protection for the excavator by the use of heavy duty in-line dampening buffers. Manufactured from the highest quality steels and utilizing only the best European manufactured bearings and hydraulic motors the ACP Range is engineered to provide long service life.

Oil Splash Technology ensures the bearings are auto-lubricated with no greasing required so the ACP Range can work longer and provide greater productivity. The Arrowhead Rockdrill ACP Range ensures maximum return on investment and excellent performance on the jobsite with their quality, reliability and simplicity.

Primary uses of the ACP Range

- Soil compaction
- Sheet/post/pile driving
- Backfill trench compaction



Specifications		ACP 200	ACP 350	ACP 550	ACP 1600	ACP 2400	
Impulse Force	lbf	2000	3500	5500	7500	11000	
	kgf	909	1591	2500	3400	5000	
Frequency (at max flow)	rpm	2100	2100	2100	2000	2000	
Operating Weight	lbs	250	520	880	1720	2204	
	kg	114	236	400	780	1000	
Base Plate Size	inches	8 x 20	11.5 x 26	17.5 x 30	28 x 32	47 x 34	
	mm	200 x 510	290 x 660	445 x 760	710 x 810	1220 x 865	
Oil Requirements	lpm	Motor Option 1	35 - 45	35 - 45	80 - 100	90 - 120	
		Motor Option 2	50 - 65	50 - 65			
	usg/m	Motor Option 1	9 - 12	9 - 12	21 - 26	24 - 32	37-42
		Motor Option 2	13 - 17	13 - 17			
Working Pressure	bar	103	103	103	103	150	
Carrier Weight	lbs	2250 - 6750	5600 - 11000	9000 - 19000	18000 - 35000	35000 - 61000	
	tonnes	1 - 3	2.5 - 5	5 - 9	8 - 16	16 - 28	

ROTARY COMPACTOR WHEELS

ACW RANGE

The Arrowhead Rockdrill Compaction Wheel uses the weight and downward force of the carrier to provide compaction of soils and backfill on any job site situation. By utilizing sealed bearing housings the ACW Range is a low maintenance tool made from high quality steels to ensure a long working life even in the toughest conditions.

The ACW Range is made in a range of sizes and styles to suit most machine configurations and can be used to compact a wide range of materials and soil types.

Features

- Simple design
- Low maintenance and long service life
- Can be configured to suit almost all applications
- Sealed bearing technology that eliminates greasing



Compact Excavator Range		ACW CEPF8	ACW CEPF12	ACW CEPF18	ACW CEPF24
Nominal Trench Width	inches	8	12	18	24
	mm	200	305	457	610
Number of Rims		1	2	3	3
Type of Wheels	Pad	Pad	Pad	Pad	Pad
	Foot	Foot	Foot	Foot	Foot
Backhoe Loader Range		ACW BLPF12	ACW BLPF18	ACW BLPF24	ACW BLPF36
Nominal Trench Width	inches	12	18	24	36
	mm	305	457	610	910
Number of Rims		1	2	3	4
Type of Wheels	Pad	Pad	Pad	Pad	Pad
	Foot	Foot	Foot	Foot	Foot

Compaction Wheels are also manufactured for Skid Steer Loaders and larger machines.

Authorised Distributors

Contact your local distributor for dealers in your area.

Cummings and Bricker, Inc. ●

Tel: (585) 343 5411 / (717) 249 6720

cummingsandbricker.com

Maine, New Hampshire, Vermont, Massachusetts, Rhode Island, Connecticut, New York, New Jersey, Delaware, Maryland, Pennsylvania, Virginia, West Virginia, Kentucky, Tennessee, Ohio, Michigan, Indiana.

Engineered Equipment LLC ●

Tel: 608 787 8858

Minnesota, Wisconsin, Iowa (North), Illinois.

Price Bros Equipment ●

Tel: 316 265 9577

pricebroseq.com

Iowa (South), Nebraska, Missouri, Kansas, Oklahoma, Arkansas, Colorado.

Implement Sales LLC ●

Tel: 1800 955 9592

implementsales.com

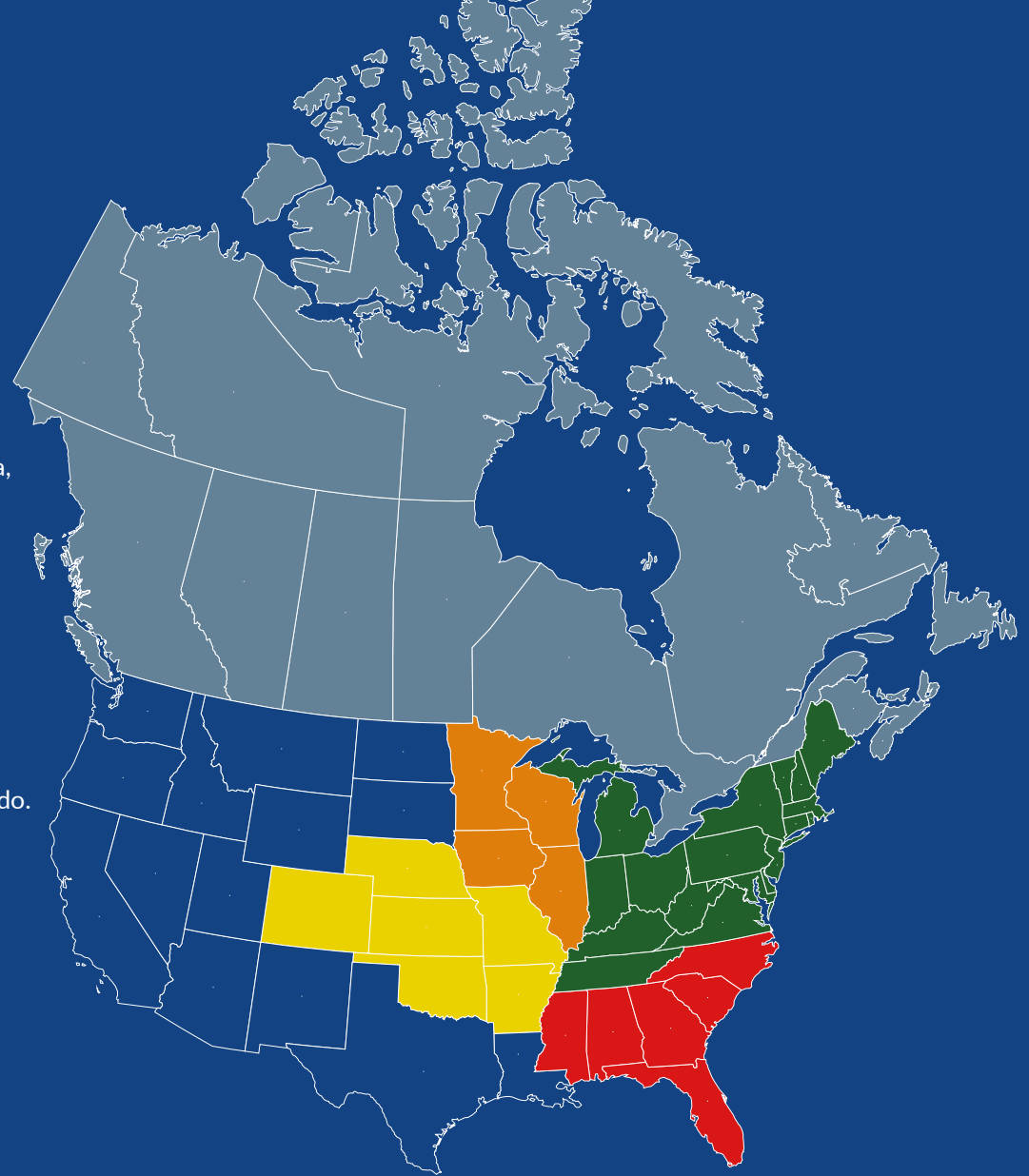
Georgia, North & South Carolina, Florida, Alabama, Mississippi

Starbright Industry Inc. ●

Tel: 1-519-698-0519

starbrightindustry.com

Canada



ARROWHEAD
ROCKDRILL

Hema Works, Station Lane,
Old Whittington, Chesterfield S41 9QX
United Kingdom

Tel: +44 1246 260 012
Email: support@arrowheadrockdrill.co.uk
www.arrowheadrockdrill.co.uk



ARROWHEAD Whole Goods Pricing

2/2/2024

ITEM #	DESCRIPTION	LIST PRICE
R90H	EX HAMMER HD 24-32 GPM ADD MOUNT ADD TOOL	\$ 15,930.00
R75PD	EX POST DRIVER 14-26 GPM ADD MOUNT ADD TOOL	\$ 11,190.00
R75H	EX HAMMER R RANGE 14-26 GPM ADD MOUNT ADD TOOL	\$ 10,400.00
R70PD	EX POST DRIVER 14-21 GPM ADD MOUNT ADD TOOL	\$ 10,000.00
R70H	EX HAMMER R RANGE 14-21 GPM ADD MOUNT ADD TOOL	\$ 8,978.00
R65PD	EX POST DRIVER 12-18 GPM ADD MOUNT ADD TOOL	\$ 8,560.00
R65H	EX HAMMER R RANGE 12-18 GPM ADD MOUNT ADD TOOL	\$ 8,107.00
R55PD	EX POST DRIVER 10-15 GPM ADD MOUNT ADD TOOL	\$ 7,726.00
R55H	EX HAMMER R RANGE 10-15 GPM ADD MOUNT ADD TOOL	\$ 7,426.00
R45PD	EX POST DRIVER 5-11 GPM ADD MOUNT ADD TOOL	\$ 5,850.00
R45H	EX HAMMER R RANGE 5-11 GPM ADD MOUNT ADD TOOL	\$ 5,547.00
R40PD	EX POST DRIVER 4-7 GPM ADD MOUNT ADD TOOL	\$ 5,230.00
R40H	EX HAMMER R RANGE 4-7 GPM ADD MOUNT ADD TOOL	\$ 4,932.00
R155H	EX HAMMER HD 40-53 GPM ADD MOUNT ADD TOOL	\$ 53,960.00
R140HALK	EX HAMMER HD (AUTO LUBE) 40-53 GPM / ADD MOUNT / ADD TOOL	\$ 55,890.00
R140H	EX HAMMER HD 40-53 GPM ADD MOUNT ADD TOOL	\$ 44,760.00
R120H	EX HAMMER HD 24-40 GPM ADD MOUNT ADD TOOL	\$ 29,440.00
R100H	EX HAMMER HD 26-37 GPM ADD MOUNT ADD TOOL	\$ 20,750.00
E780PD	POST DRIVER SSL 21-32 GPM ADD TOOL	\$ 10,660.00
E780H	HAMMER SSL 21-32 GPM ADD MOUNT ADD TOOL	\$ 9,080.00
E680PD	POST DRIVER SSL 13-21 GPM ADD TOOL	\$ 8,430.00
E680H	HAMMER SSL 13-21 GPM ADD MOUNT ADD TOOL	\$ 6,980.00
E480PD	POST DRIVER SSL 8-13 GPM ADD TOOL	\$ 6,745.00
E480H	HAMMER SSL 8-13 GPM ADD MOUNT ADD TOOL	\$ 5,846.00
ALK	AUTO LUBE KIT	\$ 11,130.00
ACP550	EX COMPACTION PLATE VIBRATORY 5-9 TONS ADD MOUNT	\$ 8,270.00
ACP350	EX COMPACTION PLATE VIBRATORY 2.5-5 TONS ADD MOUNT	\$ 5,020.00
ACP2400	EX COMPACTION PLATE VIBRATORY 16-28 TONS ADD MOUNT	\$ 15,350.00
ACP200	EX COMPACTION PLATE VIBRATORY 1-3 TONS ADD MOUNT	\$ 4,600.00
ACP1600	EX COMPACTION PLATE VIBRATORY 8-16 TONS ADD MOUNT	\$ 11,990.00
225211B1	QD 12FF M 12 FB	\$ 292.00
225201B1	QD 12 FF F 12FB	\$ 283.00
225192BC	QD 8 FF M 12FB	\$ 55.00
225181B1	FLAT FACE COUPLER FEMALE 1/2"	\$ 83.69
1181308	PYRAMID POINT E480	\$ 152.00
1181307	SUPER BLUNT E480 MADE TO ORDER	Call for Price
11813064	4" WIDE TARMAC CHISEL E480	\$ 600.00
11813063	3" WIDE TARMAC CHISEL E480	\$ 324.00
11813056	6" POST DRIVER TOOL E480	\$ 680.00
11813055	5" POST DRIVER TOOL E480	\$ 555.00
11813054	4" POST DRIVER TOOL E480	\$ 480.00
1181303	BLUNT E480	\$ 130.00
1181302	CHISEL E480	\$ 130.00
1181301	MOIL POINT E480	\$ 130.00
1171308	PYRAMID POINT E780	\$ 445.00
1171307	SUPER BLUNT MADE TO ORDER	Call for Price
11713068	8" WIDE TARMAC CHISEL E780	\$ 2,110.00
11713066	6" WIDE TARMAC CHISEL E780	\$ 1,355.00
11713058	8" POST DRIVER TOOL E780	\$ 1,130.00
11713057	7" POST DRIVER TOOL E780	\$ 1,000.00



ARROWHEAD Whole Goods Pricing

2/2/2024

ITEM #	DESCRIPTION	LIST PRICE
117130568	6"-8" TAPERED POST DRIVER TOOL E780	\$ 1,195.00
11713056	6" POST DRIVER TOOL E780	\$ 910.00
117130512	12" POST DRIVER TOOL E780	\$ 1,905.00
117130510	10" POST DRIVER TOOL E780	\$ 1,445.00
1171303	BLUNT E780	\$ 399.00
1171302	CHISEL E780	\$ 399.00
1171301	MOIL POINT E780	\$ 399.00
1161308	PYRAMID POINT E680	\$ 266.00
1161307	SUPER BLUNT E680 MADE TO ORDER	Call for Price
11613066	6" WIDE TARMAC CHISEL E680	\$ 1,172.00
11613064	4" WIDE TARMAC CHISEL E680	\$ 630.00
11613058	8" POST DRIVER TOOL E680	\$ 940.00
11613057	7" POST DRIVER TOOL E680	\$ 880.00
11613056	6" POST DRIVER TOOL E680	\$ 775.00
11613055	5" POST DRIVER TOOL E680	\$ 665.00
116130548	4"-8" TAPERED POST DRIVER TOOL E680	\$ 1,015.00
11613054	4" POST DRIVER TOOL E680	\$ 590.00
1161303	BLUNT E680	\$ 210.00
1161302	CHISEL E680	\$ 210.00
1161301	MOIL POINT E680	\$ 210.00
1141308	PYRAMID POINT R140	\$ 1,900.00
1141307	SUPER BLUNT R140 MADE TO ORDER	Call for Price
1141303	BLUNT R140	\$ 1,800.00
1141302	CHISEL R140	\$ 1,800.00
1141301	MOIL POINT R140	\$ 1,800.00
1131308	PYRAMID POINT R120	\$ 1,300.00
1131307	SUPER BLUNT R120 MADE TO ORDER	Call for Price
1131303	BLUNT R120	\$ 1,200.00
1131302	CHISEL R120	\$ 1,200.00
1131301	MOIL POINT R120	\$ 1,200.00
1121375	TAG QC33 (SUITS TAKEUCHI TB1140) R100 MADE TO ORDER	Call for Price
1121374	TAG QC30 (SUITS TAKEUCHI MACHINES F R100	\$ 1,350.00
1121312	ALL PIN ON BRACKETS (MODEL NAME IN R100	\$ 1,300.00
1121308	PYRAMID POINT R100	\$ 900.00
1121307	SUPER BLUNT R100 MADE TO ORDER	Call for Price
1121303	BLUNT R100	\$ 875.00
1121302	CHISEL R100	\$ 875.00
1121301	MOIL POINT R100	\$ 875.00
1091375	TAG QC33 (SUITS TAKEUCHI TB1140) R120 ACP1600 MADE TO ORDER	Call for Price
1091312	ALL PIN ON BRACKETS R120 R140 ACP1600 ACP2400	\$ 1,930.00
1082308	PYRAMID POINT R90	\$ 710.00
1082307	SUPER BLUNT R90 MADE TO ORDER	Call for Price
1082303	BLUNT R90	\$ 680.00
1082302	CHISEL R90	\$ 680.00
1082301	MOIL POINT R90	\$ 680.00
1071383	HD UNIVERSAL FULL FRAME SKIDSTEER R75 R90 E780 ACP550	\$ 1,610.00
1071375	TAG QC33 (SUITS TAKEUCHI TB1140) R75 R90 E780 ACP550 MTO	Call for Price
1071374	TAG QC30 (SUITS TAKEUCHI MACHINES F R75 R90 E780 ACP550	\$ 1,152.00
1071373	TAG QC27 (SUITS TAKEUCHI MACHINES F R75 R90 E780 ACP550	\$ 950.00
1071372	JOHN DEERE 50G, 60G WEDGE R75 R90 E780 ACP550	\$ 730.00



ARROWHEAD Whole Goods Pricing

2/2/2024

ITEM #	DESCRIPTION	LIST PRICE
1071371	KUBOTA K7402A WEDGE (SUITS KX080) R75 R90 E780 ACP550	\$ 1,000.00
1071370	KUBOTA K7915A WEDGE (SUITS KX057, U R75 R90 E780 ACP550	\$ 820.00
1071312	ALL PIN ON BRACKETS R75 R90 E780 ACP550	\$ 1,120.00
1071308	PYRAMID POINT R75	\$ 430.00
1071307	SUPER BLUNT R75 MADE TO ORDER	Call for Price
10713066	6" WIDE TARMAC CHISEL R75	\$ 1,360.00
10713058	8" POST DRIVER TOOL R75	\$ 1,125.00
10713057	7" POST DRIVER TOOL R75	\$ 995.00
107130568	6"-8" TAPERED POST DRIVER TOOL R75	\$ 1,190.00
10713056	6" POST DRIVER TOOL R75	\$ 905.00
107130512	12" POST DRIVER TOOL R75	\$ 1,900.00
107130510	10" POST DRIVER TOOL R75	\$ 1,440.00
1071303	BLUNT R75	\$ 402.00
1071302	CHISEL R75	\$ 402.00
1071301	MOIL POINT R75	\$ 402.00
1061308	PYRAMID POINT R70	\$ 374.00
1061307	SUPER BLUNT R70 MADE TO ORDER	Call for Price
10613066	6" WIDE TARMAC CHISEL R70	\$ 1,230.00
10613064	4" WIDE TARMAC CHISEL R70	\$ 650.00
10613058	8" POST DRIVER TOOL R70	\$ 970.00
10613057	7" POST DRIVER TOOL R70	\$ 890.00
10613056	6" POST DRIVER TOOL R70	\$ 805.00
10613055	5" POST DRIVER TOOL R70	\$ 675.00
106130548	4"-8" TAPERED POST DRIVER TOOL R70	\$ 1,050.00
10613054	4" POST DRIVER TOOL R70	\$ 600.00
1061303	BLUNT R70	\$ 347.00
1061302	CHISEL R70	\$ 347.00
1061301	MOIL POINT R70	\$ 347.00
1052384	KUBOTA K7130 WEDGE (SUITS U25, U27- R65 R70 E680 ACP350	\$ 650.00
1052383	HD UNIVERSAL SKID STEER MOUNT R65 R70 E680 ACP350	\$ 1,565.00
1052381	VERMEER MINI SKID R65 R70 E680 ACP350	\$ 605.00
1052380	DITCH WITCH MINI SKID R65 R70 E680 ACP350	\$ 605.00
1052376	TAG QC30 (SUITS TAKEUCHI MACHINES F R65 R70 E680 ACP350	\$ 1,100.00
1052375	TAG QC27 (ALL TAKEUCHI MACHINES FRO R65 R70 E680 ACP350	\$ 935.00
1052374	JOHN DEERE 50G, 60G WEDGE R65 R70 E680 ACP350	\$ 660.00
1052373	JOHN DEERE 26G, 30G, 35G WEDGE R65 R70 E680 ACP350	\$ 572.00
1052372	KUBOTA K7402A WEDGE (SUITS KX080) R65 R70 E680 ACP350	\$ 960.00
1052371	KUBOTA K7915A WEDGE (SUITS KX057, U R65 R70 E680 ACP350	\$ 770.00
1052370	KUBOTA K7870A WEDGE (SUITS KX040, K R65 R70 E680 ACP350	\$ 715.00
1052312	ALL PIN-ON BRACKETS R65 R70 E680 ACP350	\$ 698.00
1051308	R65 PYRAMID POINT R65	\$ 282.00
1051307	R65 SUPER BLUNT R65 MADE TO ORDER	Call for Price
10513066	6" WIDE TARMAC CHISEL R65	\$ 1,170.00
10513064	4" WIDE TARMAC CHISEL R65	\$ 630.00
10513058	8" POST DRIVER TOOL R65	\$ 950.00
10513057	7" POST DRIVER TOOL R65	\$ 870.00
10513056	6" POST DRIVER TOOL R65	\$ 785.00
10513055	5" POST DRIVER TOOL R65	\$ 655.00
105130548	R65 100-200MM/4"-8" TAPERED POST R65	\$ 1,600.00
10513054	4" POST DRIVER TOOL R65	\$ 580.00



ARROWHEAD Whole Goods Pricing

2/2/2024

ITEM #	DESCRIPTION	LIST PRICE
1051303	BLUNT R65	\$ 258.00
1051302	CHISEL R65	\$ 258.00
1051301	MOIL POINT R65	\$ 258.00
1042308	PYRAMID POINT R55	\$ 209.00
1042307	SUPER BLUNT R55 MADE TO ORDER	Call for Price
10423066	6" WIDE TARMAC CHISEL R55	\$ 1,130.00
10423064	4" WIDE TARMAC CHISEL R55	\$ 625.00
10423057	7" POST DRIVER TOOL R55	\$ 785.00
10423056	6" POST DRIVER TOOL R55	\$ 695.00
10423055	5" POST DRIVER TOOL R55	\$ 570.00
104230547	4"-7" TAPERED POST DRIVER TOOL R55	\$ 830.00
10423054	4" POST DRIVER TOOL R55	\$ 493.00
1042303	BLUNT R55	\$ 210.00
1042302	CHISEL R55	\$ 210.00
1042301	MOIL POINT R55	\$ 210.00
1031308	PYRAMID POINT R45	\$ 160.00
1031307	SUPER BLUNT MADE TO ORDER	Call for Price
10313066	6" WIDE TARMAC CHISEL R45	\$ 1,030.00
10313064	4" WIDE TARMAC CHISEL R45	\$ 590.00
10313063	3" WIDE TARMAC CHISEL R45	\$ 355.00
10313056	6" POST DRIVER TOOL R45	\$ 670.00
10313055	5" POST DRIVER TOOL R45	\$ 545.00
103130546	4"-6" TAPERED POST DRIVER TOOL R45	\$ 750.00
10313054	4" POST DRIVER TOOL R45	\$ 470.00
1031303	BLUNT R45	\$ 138.00
1031302	CHISEL R45	\$ 138.00
1031301	MOIL POINT R45	\$ 138.00
1022382	UNIVERSAL SKID STEER MOUNT R40 R45 R55 E480 ACP200	\$ 1,500.00
1022381	VERMEER MINI SKID R40 R45 R55 E480 ACP200	\$ 500.00
1022380	DITCH WITCH MINI SKID R40 R45 R55 E480 ACP200	\$ 500.00
1022375	TAG QC27 (ALL TAKEUCHI MACHINES FRO R40 R45 R55 E480 ACP200	\$ 774.00
1022374	WEDGE COUPLER JD 26G/30G/35G R40 R45 R55 E480 ACP200	\$ 408.00
1022373	JOHN DEERE 17G WEDGE R40 R45 R55 E480 ACP200	\$ 385.00
1022372A	KUBOTA K7870A WEDGE (KX040, U34-4) R40 R45 R55 E480 ACP200	\$ 600.00
1022371	KUBOTA K7130 WEDGE (SUITS U27-4) R40 R45 R55 E480 ACP200	\$ 560.00
1022370	KUBOTA K7966A WEDGE (KX018, U17) R40 R45 R55 E480 ACP200	\$ 488.00
1022312	ALL PIN ON BRACKETS (MODEL NAME IN R40 R45 R55 E480 ACP200	\$ 432.00
1021308	PYRAMID POINT R40	\$ 133.00
1021307	SUPER BLUNT MADE TO ORDER	Call for Price
10213064	4" WIDE TARMAC CHISEL R40	\$ 560.00
10213063	3" WIDE TARMAC CHISEL R40	\$ 308.00
10213056	6" POST DRIVER TOOL R40	\$ 660.00
10213055	5" POST DRIVER TOOL R40	\$ 535.00
102130546	4"-6" TAPERED POST DRIVER TOOL R40	\$ 740.00
10213054	4" POST DRIVER TOOL R40	\$ 460.00
1021303	BLUNT R40	\$ 113.00
1021302	CHISEL R40	\$ 113.00
1021301	MOIL POINT R40	\$ 113.00