



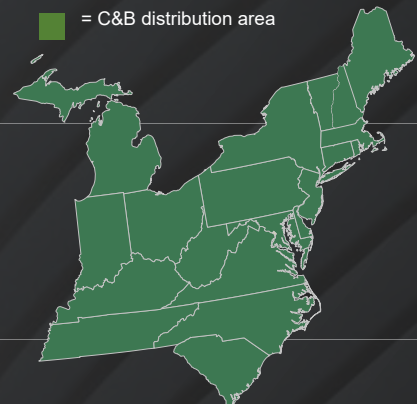
NM ATTACHMENTS INC.

PRICE BOOK 2024

**EXCAVATOR & WHEEL
LOADER ATTACHMENTS**

USA EDITION

 = C&B distribution area



FREIGHT CHARGES:

OVER \$2000

ORDERS OVER \$2000 RETAIL INCLUDE FREIGHT TO DEALER YARD.

ALL ORDERS UNDER \$2000

ORDERS UNDER \$2000 WILL HAVE A \$200 FREIGHT CHARGE FOR SHIPMENTS GOING OUTSIDE OF ONTARIO.

All wheel loader attachments, **\$500 FREIGHT**

POR = PRICE ON REQUEST

CONTACT INFO:

PHONE NUMBER:

519.698.0012

EMAIL ADDRESS:

SALES@NMATTACHMENTS.CA





TOOTH BUCKETS

Tooth Buckets are used in sand, gravel, and clay and are particularly effective for trenching gas, water lines, and more.



EXTREME DUTY ROCK BUCKETS

Extreme duty rock buckets are built to withstand the extreme service conditions of road building, mining, and quarry applications.



PIN GRABBER BUCKETS

Pin Grabber Buckets is designed with the pin recessed into the bucket which gives the operator the convenience of using a pin grab coupler without losing breakout force.



TRAPEZOID BUCKETS

With the trapezoid bucket, you can lower your cost by reducing the amount of backfill needed. Ideal for pipeline and trenching applications. This will reduce the cost of transportation and backfill material.



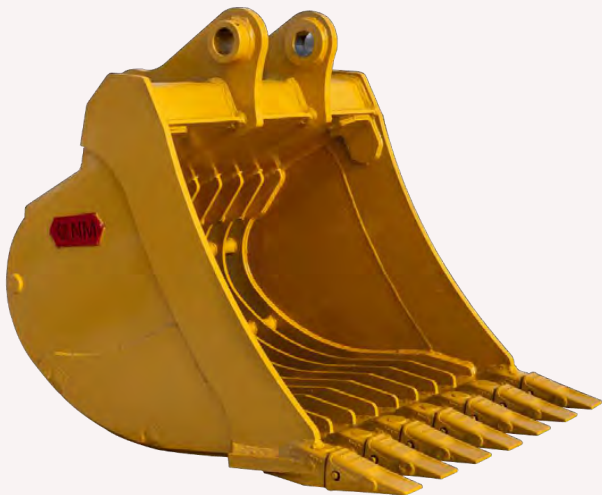
DITCHING BUCKET

Ditching buckets are used in slope work, ditching, grading, back-filling, land clearing, or any high volume, light material handling.



HYDRAULIC-TILT DITCHING BUCKETS

Hydraulic Ditching Buckets take the strengths of standard ditching buckets and add the versatility of a 45 degrees tilt function on each side.



SKELETON BUCKETS

Skeleton Buckets are used to remove rocks and debris while sifting through the soil.



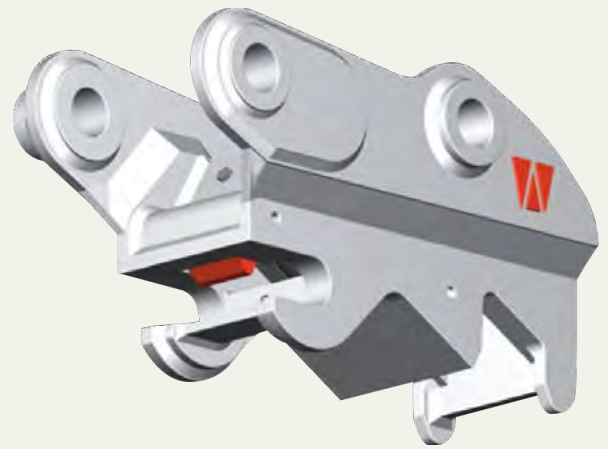
HYBRID RAKE

The hybrid rake gives you the options of a root rake plus you can now sift out the unwanted rocks and debris while leaving the soil behind.



ROOT RAKES

Root Rakes are designed for moving and loading the unwanted brush, trees, stumps, and more. Root rakes are ideal for fence line and orchard removal.



PIN GRAB COUPLERS

Pin Grab couplers are a great tool to change attachments quickly and efficiently.



WEDGE STYLE COUPLERS

NM wedge style couplers give you the right tool you need to change buckets fast and easy.



FROST RIPPERS

Frost Rippers are attachments for serious prying and ripping, particularly for working in frost or rock.



THUMBS - HYDRAULIC STICK PIVOT

Stick Pivot thumbs pivot from the main bucket pin and give you a constant grip on the load when rotating the bucket.



THUMBS - HYDRAULIC WELD-ON

Excavator Thumbs are used in various applications, such as land clearing, demolition, material handling, and much more.



THUMBS - PRO-LINK

NM Pro-link thumbs give you up to 180 degrees of rotation which allows you to pick and grab objects closer to your machine. This makes it much easier and less repositioning of the machine which will increase your cycle time.

USA Edition



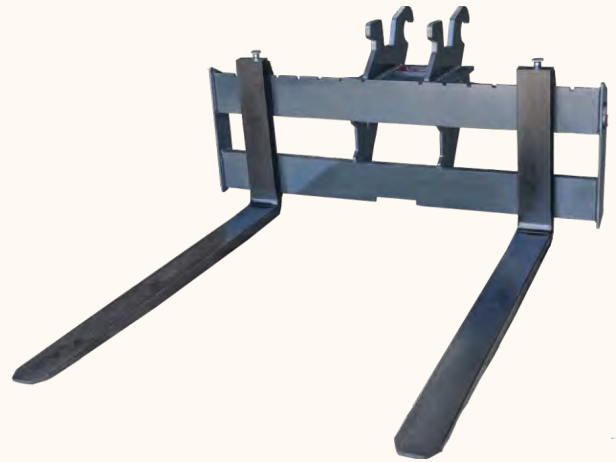
THUMBS - MECHANICAL WELD-ON

Excavator Thumbs are used in various applications, such as land clearing, demolition, material handling, and much more.



DEMOLITION GRAPPLES

These demolition grapples are designed for severe demolition, rock handling, and waste handling applications. This attachment will be a great tool to add to your excavator toolbox.



EXCAVATOR FORKS

Excavator Forks will give you more reach for loading and unloading materials.



CHUCK BLADE

If you have a problem with sticky, wet soil that doesn't want to dump clean this is the right attachment you need.



CONCRETE PULVERIZERS

The concrete Pulverizer is a heavy-duty design that will crush concrete all day long. No extra hydraulics needed. Available in multiple tine configurations. Multiple position bracket.



GENERAL PURPOSE BUCKETS

General Purpose Buckets are used for stockpiling and material handling operations and designed to dig and handle materials that weigh up to 3000 lbs per cubic yard in density.



LIGHT MATERIAL/SNOW BUCKET

Light material buckets offer higher capacity than general-purpose buckets making them ideal for lifting snow, mulch, or other light materials.



WOOD CHIP BUCKET

Woodchip Buckets are specially designed for handling of sawdust and wood chips.



HIGH DUMP BUCKETS

The high dump bucket has a bottom pivot point that allows the operator to dump loads with a higher clearance when dumping a load.



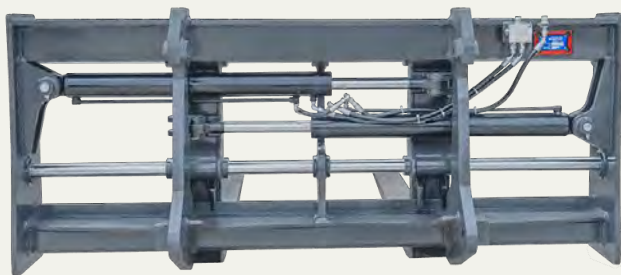
SNOW BASKET

For extra high volume and high visibility snow removal.



FEEDLOT GRAPPLE BUCKETS

The NM Feedlot Grapple Bucket is designed for handling bales & silage. The dual grapples give you a steady bite on an uneven load.



WHEEL LOADER HYDRAULIC FORKS

The Hydraulic Tine Positioner forks are used in everyday lifting and moving applications with the ability to position the tines from the seat of your cab.



WHEEL LOADER FORKS

Loader Forks are used in everyday standard duty pallet applications.



SKELETON BUCKETS

The NM Loader skeleton bucket allows you to sift through the rocks and leave the dirt behind, giving you the efficiency that you need to get the job done.



ROOT RAKE GRAPPLE

Root Rake Grapples are designed to clear scrub and brush while reducing the amount of soil collected. The top clamp lets you take a bigger bite giving you more efficiency and reducing cost.

■ **EXCAVATOR CLASS 1.5** **WEIGHT CLASS 1500 - 3000 LBS**

Bobcat	316, 320, 418, E10
Cat	300.9, 300.9D
Daewoo	Solar 10
Hitachi	UE10, ZX8-2
JCB	8008 CTS
Kobelco	SK007
Komatsu	PC02-1, PC03-2, PC05-5, PC05-6, PC09-1
Kubota	KX008-3, BT603
Sany	SY16C
Takeuchi	TB007, TB108, TB210R
Terex	TC10
Wacker Neuson	803, ET18
Yanmar	B12, B17E, SV08-1A,D

EXCAVATOR CLASS 1.5

WEIGHT CLASS 1500 - 3000 LBS

<u>Ditch Cleaning Buckets (Standard Capacity)</u>			<u>List Price</u>
<u>Model #</u>	<u>Width</u>	<u>Cu.Ft</u>	
1.5DC-18	18"	0.980	\$1,116.00
1.5DC-20	20"	1.080	\$1,185.00
1.5DC-24	24"	1.290	\$1,206.00
1.5DC-30	30"	1.600	\$1,382.00
1.5DC-36	36"	1.950	\$1,427.00
Reversible Bolt-On Cutting Edges - See Page 6			
<u>Heavy Duty Tooth Buckets</u>			<u>List Price</u>
<u>Model #</u>	<u>Width</u>	<u>Cu.Ft</u>	
1.5HD-10	10"	0.500	\$1,222.00
1.5HD-12	12"	0.600	\$1,234.00
1.5HD-16	16"	0.800	\$1,277.00
1.5HD-18	18"	0.900	\$1,289.00
<u>Frost Ripper</u>			<u>List Price</u>
<u>Model #</u>	<u>Description</u>		
1.5FR-15	Single Tooth 15" Penetration		\$1,282.00
<u>Thumb</u>			<u>List Price</u>
<u>Model #</u>	<u>Description</u>		
1.5HWO	Hydraulic Weld-On		\$2,520.00
1.5MWO	Mechanical Weld-On		\$2,470.00
<u>Bucket Pins</u>			<u>List Price</u>
<u>Part #</u>	<u>Description</u>		
1.5BP	Bucket Pins - Set of 2		\$200.00
<u>Couplers</u>			<u>List Price</u>
<u>Model #</u>	<u>Description</u>		
1.5MWC	Mechanical Wedge Coupler		\$1,479.00
1.5SPC	Draw Pin Coupler		\$1,479.00
<u>Top Mount</u>			<u>List Price</u>
<u>Part #</u>	<u>Description</u>		
1.5TM	Hammer/Compactor Mount		\$720.00

EXCAVATOR CLASS 1.5

WEIGHT CLASS 1500 - 3000 LBS

Bobcat	E20, 320, 322D, 323, 324, 325
Case	CX14, CX17B, CX17C, CX18B, CX25, CX26C
Caterpillar	301.4C, 301.5, 301.5C, 301.6C, 301.7, 301.7 CR/D/D CR, 301.8, 301.8C, 302 CR, 302.2D, 302.4D,
Daewoo	Solar15, DH30
Gehl	153, 193, 223, 225, 283, Z17
Hitachi	ZX10U-2, ZX17U-2, ZX17U-5, ZX20U-5, ZX26U-5
Hyundai	R15-7, R16-9, R17A-9A, R25A, R25-9AK
JCB	18Z-1, 19C-1, 19C-1E, 801, 8014, 8015, 8016, 8017, 8018, 8018 CTS, 8019
John Deere	10A, 17D, 17G, 17ZTS, AA
Kobelco	13SR, 25SR-2, SK014, SK015, SK17SR, SK025, SK25SR
Komatsu	PC15R-8E, PC15R-8E Deluxe, PC15MR-1, PC15MRX-1, PC18MR-3, PC20MR-1, PC20MRX-1, PC10-5, PC15-2, PC10-6
Kubota	B20/ BT75C, B21/ BT75, BT600, KH30, KH35, KH41, BL4572, KX018-3/-4, KX-41, KX-41-3, U15, U17, U25, U27
New Holland	EC15, EH15, E15, E17C, E18B, E18SR, E26C
Sany	SY18, SY26, SY26U
Takeuchi	TB014, TB015, TB016, TB020, TB23R, TB025, TB216
Terex	HR11, HR12, HR13, HR1.6, HR2.0, TC15, TC16, TC20, TC25
Thomas	T15, T15V, T25
Volvo	EC15XR, EC15XTV, EC20XTV, EC15XTJ, EC20C,D,E, ECR18E, ECR25D, ECR250
Wacker Neuson	1404, 28Z3, ET16, ET20, ET24, EZ17, EZ26
Yanmar	B22, B27, ViO15, ViO17, ViO20, ViO20-3

EXCAVATOR CLASS 2

WEIGHT CLASS 3,000 - 6,000 LBS

<u>Ditch Cleaning Buckets (Standard Capacity)</u>				<u>List Price</u>
<u>Model #</u>	<u>Width</u>	<u>Cu.Ft</u>		
2DC-20	20"	1.7		\$1,284.00
2DC-24	24"	2		\$1,315.00
2DC-30	30"	2.5		\$1,484.00
2DC-36	36"	3		\$1,540.00
<u>Hydraulic Tilt Ditch Cleaning Buckets</u>				<u>List Price</u>
<u>Model #</u>	<u>Width</u>	<u>Cu.Ft</u>		
2HTD-24	24"			\$3,509.00
2HTD-30	30"	2.3		\$3,638.00
Reversible Bolt-On Cutting Edges – See Page 15				
<u>Heavy Duty Tooth Buckets</u>				<u>List Price</u>
<u>Model #</u>	<u>Width</u>	<u>Cu.Ft</u>	<u>Teeth</u>	
2HD-10	10"	0.7	3	\$1,297.00
2HD-12	12"	0.9	3	\$1,309.00
2HD-16	16"	1.1	4	\$1,402.00
2HD-18	18"	1.4	4	\$1,434.00
2HD-20	20"	1.6	4	\$1,493.00
2HD-24	24"	2	5	\$1,560.00
2HD-30	30"	2.5	5	\$1,664.00
<u>Frost Ripper</u>				<u>List Price</u>
<u>Model #</u>	<u>Description</u>			
2FR-19	Single Tooth 19" Penetration			\$1,317.00
<u>Thumbs</u>				<u>List Price</u>
<u>Model #</u>	<u>Description</u>			
2MWO-2T	Mechanical Weld-On			\$2,401.00
2HWO-2T	Hydraulic Weld-On			\$2,401.00
2HSP-2T	Hydraulic Stick Pivot			\$2,520.00
<u>Bucket Pins</u>				<u>List Price</u>
<u>Model #</u>	<u>Description</u>			
2BP	Bucket Pins - Set of 2			\$200.00
<u>Couplers</u> All couplers come with 1 set of pins				<u>List Price</u>
<u>Model #</u>	<u>Description</u>			
2MWC	Mechanical Wedge Coupler			\$1,479.00
2SPC	Draw Pin Coupler			\$1,479.00
<u>Blank Lugs</u>				<u>List Price</u>
<u>Model #</u>	<u>Description</u>			
2BLW	Class 2 Blank Wedge Coupler Lugs			\$176.00 /set
2BLP	Class 2 Blank Pin-On Lugs			\$322.00 /set
<u>Top Mount</u>				<u>List Price</u>
<u>Model #</u>	<u>Description</u>			
2TM	Hammer/Compactor Mount			\$809.00

EXCAVATOR CLASS 3 WEIGHT CLASS 6,000 - 10,000 LBS

Bobcat	325D, 328D, 331D, 334D, 335, 425, 430, 709, 811, 911C, 8709, E26, E32, E35M, E42M
Case	CX27B, CX30C, CX31, CX36B, CX37C
Caterpillar	302.5C, 302.7, 302.7D, 302.7D CR, 303CR, 303CCR, 303.5DCR, 303.5ECR, 303.5E2 CR, 304DCR, 304ECR, 304E2 CR
Coyote	CE 35
Daewoo	Solar 30, Solar 35, DH50W, DX27Z, DX30Z, DX35Z, DX35-5
Doosan	DX27Z, DX30Z, DX35Z
Gehl	GE303, GE353, GE373, MB445M, Z27, Z35
Hitachi	274, 354, EX30, UE30, UE40, ZAX15, Zaxis27U, Zaxis35U, ZX30U-5, ZX35U-5
Hyundai	R35-7, R28-7, R27Z-9, R35Z-9, R35Z-9AK
JCB	45Z-1, 803, 803PLUS, 804 SUPER, 8025, 8027Z, 8030Z, 8032Z, 8035Z,
John Deere	25, 26G, 27CZTS, 27D, 30, 35CZTS, 35D, 35G, 48, 49, 110TLB,
Kioti	TB2485
Kobelco	30SR-2, 35SR, 35SR-2, SK027, SK27SR, SK032, SK035, SK35SR, SK042
Komatsu	PC20-5 PC20-6, PC27R-8E, PC27R-8E Deluxe, PC27MR-1, PC27MRx-1, PC27MR-3 PC30-1/-5/-7 PC30MR-1, PC30MRx-1, PC35R-8E, PC35R-8E Deluxe PC35MR-2, PC35MR-1, PC35MRx-1, PC35MR-3
Kubota	BH92, BT900, BT1000, KX-71, KX91-3 KX-101, KX121-3, BT900, KH60, KH61, KX61, KH70, KH101, K9060, KH91, KX030, KX033, KX040, KX71-3/-4, KX91-2/-3, U35
New Holland	EC25, E26C, E27B, E27SR EC35, E30, E30C, E33C, E35, E35B, E37C
Sany	SY35, SY35U
Takeuchi	TB030, TB035, TB125, TB135, TB138FR, TB28FR, TB225, TB228, TB230, TB235, TB240
Terex	HR14, HR16, HR3.7, TC29, TC35, TC37
Thomas	T35, T45
Volvo	EC25, EC27,D, EC30, EC35C,D, EC45, ECR28, ECR38, ECR40D
Wacker Neuson	3503, 38Z3, ET42, EZ26, EZ36
Yanmar	B27-2B, B37, B37-2B, SV40, ViO25-6, ViO-27, ViO27-5, ViO-35, VI035-6, ViO-46, YB401W,

EXCAVATOR CLASS 3

WEIGHT CLASS 6,000 - 10,000 LBS

<u>Ditch Cleaning Buckets (Standard Capacity)</u>				<u>List Price</u>
<u>Model #</u>	<u>Width</u>	<u>Cu.Ft</u>		
3DC-24	24"	3.75		\$1,708.00
3DC-30	30"	4.875		\$1,775.00
3DC-36	36"	5.875		\$1,911.00
3DC-42	42"	6.625		\$2,036.00
3DC-48	48"			\$2,101.00
<u>Hydraulic Tilt Ditch Cleaning Buckets (c/w Reversible Bolt-On Edge)</u>				<u>List Price</u>
<u>Model #</u>	<u>Width</u>	<u>Cu.Ft</u>		
3HTD-36	36"	4.5		\$5,258.00
3HTD-42	42"	5		\$5,416.00
3HTD-48	48"	5.5		\$5,663.00
<u>Reversible Bolt-On Cutting Edges - Classes 1.5-3</u>				<u>List Price</u>
<u>Part #</u>	<u>Description</u>			
BOE58625	5/8x6x25			\$252.00
BOE58631	5/8x6x31			\$273.00
BOE58637	5/8x6x37			\$304.00
BOE58643	5/8x6x43			\$316.00
<u>Heavy Duty Tooth Buckets</u>				<u>List Price</u>
<u>Model#</u>	<u>Width</u>	<u>Cu.Ft</u>	<u>Teeth</u>	
3HD-12	12"	1.75	3	\$1,807.00
3HD-16	16"	2	4	\$2,058.00
3HD-18	18"	2.75	4	\$2,070.00
3HD-24	24"	3.75	5	\$2,143.00
3HD-30	30"	4.875	5	\$2,279.00
<u>Frost Ripper</u>				<u>List Price</u>
<u>Model #</u>	<u>Description</u>			
3FR-21	Single Tooth 21" penetration			\$1,525.00
<u>Skeleton Buckets</u>				<u>List Price</u>
<u>Model #</u>	<u>Width</u>	<u>Cu.Ft</u>	<u>Teeth</u>	
3SK-24	24"	3.75	4	\$3,428.00
3SK-30	30"	4.875	5	\$3,692.00
<u>Root Rakes</u>				<u>List Price</u>
<u>Model #</u>	<u>Width</u>		<u>Tines</u>	
3RR-30	30"		5	\$3,120.00
3RR-36	36"		6	\$3,292.00
<u>Hybrid Rakes</u>				<u>List Price</u>
<u>Model #</u>	<u>Width</u>		<u>Tines</u>	
3HR-30	30"		5	\$3,468.00
3HR-36	36"		6	\$3,527.00

EXCAVATOR CLASS 3

WEIGHT CLASS 6,000 - 10,000 LBS

Thumbs		
<u>Model #</u>	<u>Description</u>	<u>List Price</u>
3MWO-2T	Mechanical Weld-On	\$3,038.00
3HWO-2T	Hydraulic Weld-On	\$4,093.00
3HSP-2T	Hydraulic Stick Pivot	\$4,093.00
Bucket Pins		
<u>Part #</u>	<u>Description</u>	<u>List Price</u>
3BP	Bucket Pins - Set of 2	\$203.00
Couplers <u>All couplers come with 1 set of pins</u>		
<u>Model #</u>	<u>Description</u>	<u>List Price</u>
3MWC	Mechanical Wedge Coupler	\$1,653.00
3SPC	Draw Pin Coupler	\$1,757.00
HMI-037	Mechanical Pin Grab Coupler	\$7,969.00
CMI-037	Hydraulic Pin Grab Coupler (Install Kit Included)	\$8,439.00
Top Mount		
<u>Model #</u>	<u>Description</u>	<u>List Price</u>
3TM	Hammer/Compactor Mount	\$918.00
Blank Lugs		
<u>Model #</u>	<u>Description</u>	<u>List Price</u>
3BLW	Class 3 Blank Wedge Coupler Lugs	\$293.00 /set
3BLP	Class 3 Blank Pin-On Lugs	\$439.00 /set
Chuck Blades		
<u>Model #</u>	<u>Description</u>	<u>List Price</u>
3CB-36	No Tilt - 20" High x 36" Wide	\$2,284.00
3HCB-36	Hydraulic Tilt - 20" High x 36" Wide	\$4,605.00
Trapezoid Bucket		
<u>Model #</u>	<u>Description</u>	<u>List Price</u>
3TB-24	10" Bottom, 24" Top	\$2,175.00
3TB-30	10" bottom, 30" Top	\$2,288.00
Excavator Fork Rack (ITA Style Tine)		
<u>Model #</u>	<u>Description</u>	<u>List Price</u>
3EFR-50	50" Wide	\$2,052.00
Tine Options		
<u>Model #</u>	<u>Description</u>	<u>List Price</u>
3EFT-15-4-42	1.5"x4"x42" #2 Standard Taper (Set of 2)	\$1,173.00
3EFT-15-4-48	1.5"x4"x48" #2 Standard Taper (Set of 2)	\$1,220.00

EXCAVATOR CLASS 5

WEIGHT CLASS 10,000 - 12,000 LBS

Bobcat	337-D, 341-D, 342, 435, E45M, E50M, E55M
Case	310A, CX47, CX50B, CX55B, CX57B/C
Caterpillar	304.5, 304D CR, 305 CR, 305 CCR, 305D CR, 305.5D CR, 305E CR, 305E2 CR, 305.5D CR, 305.5E CR,
Daewoo	DH040, DH50, Solar 50, Solar 55-V, DX42, DX50, DX55, DX55W
Gehl Co.	GE502, 5032, 503Z, Z45
Hitachi	UE50, Zaxis50U, ZX40U-2, ZX50U-2, ZX50U-3, ZX50U-5
Hyundai	R55-7, R55-9, R55W-7, R55W-9, R55W-9A
JCB	48Z-1, 55Z-1, 8040, 8040 ZTS, 8045, 8045 ZTS, 8052, 8055, 8055 RTS, 3CX
John Deere	50, 50CZTS, 50D, 50G
Kobelco	45SR-2, 50SR, 50SR-3, SK045, SK055, SK55SRX
Komatsu	PC40-2, PC45R-8E, PC45R-8E Deluxe, PC45MR-1, PC45MRx-1, PC50MR-2, PC40MR-2, PC58UU-3, PC40-3/-6/-7, PC55, PC45MR-3, PC55MR-3 PC45 MR-5, PC55 MR-5
Kubota	KH151, KH28L, KH040, KX057-4, KX151, KX161-3, KX191, U55
New Holland	E40, EC45, EH50.B, E50, E55BX, E57C
Sany	SY50U
Takeuchi	TB145, TB153FR, TB250, TB260
Terex	HR-18, TC48, TC50
Vermeer	CX254
Volvo	ECR48C, EC55, ECR58, EC55C, ECR50, ECR58D, EW60E
Wacker Neuson	50Z3, EZ53
Yanmar	B50, Vi045, Vi045-5B, Vi050, ViO50-6A, Vi055, Vi055-5B, ViO55-6A

EXCAVATOR CLASS 5

WEIGHT CLASS 10,000 - 12,000 LBS

<u>Ditch Cleaning buckets (Standard Capacity) c/w reversible bolt on edge</u>				
<u>Model #</u>	<u>Width</u>	<u>Cu.Ft</u>		<u>List Price</u>
5DC-30	30"	7.50		\$3,199.00
5DC-36	36"	9.25		\$3,351.00
5DC-42	42"	11.25		\$3,456.00
5DC-48	48"	12.75		\$3,665.00
<u>Hydraulic Tilt Ditch Cleangng Buckets (c/w reversible bolt on edge)</u>				
<u>Model #</u>	<u>Width</u>	<u>Cu.Ft</u>		<u>List Price</u>
5HTD-36	36"	6.30		\$6,786.00
5HTD-42	42"	7.50		\$7,155.00
5HTD-48	48"	8.62		\$7,458.00
<u>Heavy Duty Tooth Buckets</u>				
<u>Model #</u>	<u>Width</u>	<u>Cu.Ft</u>	<u>Teeth</u>	<u>List Price</u>
5HD-12	12"	2.75	3	\$3,027.00
5HD-16	16"	3.75	4	\$3,246.00
5HD-18	18"	4.38	4	\$3,275.00
5HD-24	24"	6.00	5	\$3,495.00
5HD-30	30"	7.63	5	\$3,594.00
5HD-36	36"	9.25	6	\$3,823.00
<u>Frost Ripper</u>				
<u>Model #</u>	<u>Description</u>			<u>List Price</u>
5FR-24	Single Tooth 24" Penetration			\$1,731.00
<u>Skeleton Buckets</u>				
<u>Model #</u>	<u>Width</u>	<u>Cu.Ft</u>	<u>Teeth</u>	<u>List Price</u>
5SK-24	24"	6.00	5	\$4,676.00
5SK-36	36"	9.25	6	\$4,860.00
<u>Root Rakes</u>				
<u>Model #</u>	<u>Width</u>		<u>Tines</u>	<u>List Price</u>
5RR-30	30"		4	\$3,394.00
5RR-36	36"		5	\$3,558.00
<u>Hybrid Rakes</u>				
<u>Model #</u>	<u>Width</u>		<u>Tines</u>	<u>List Price</u>
5HR-30	30"		4	\$3,798.00
5HR-36	36"		5	\$3,957.00
<u>Bucket Pins</u>				
<u>Part #</u>	<u>Description</u>			<u>List Price</u>
5BP	Bucket Pins - Set of 2			\$261.00
				CDN and US pricing the same???

Price Subject To Change Without Notice!

EXCAVATOR CLASS 5

WEIGHT CLASS 10,000 - 12,000 LBS

<u>Thumbs</u>			
<u>Model #</u>	<u>Description</u>	<u>Tines</u>	<u>List Price</u>
5HWO-2T	Hydraulic Weld-On	2	\$4,196.00
5HSP-2T	Hydraulic Stick Pivot	2	\$4,196.00
5MWO-2T	Mechanical Weld-On	2	\$3,583.00
5PLT-2T	Progressive Link Thumb	2	\$5,204.00
<u>Couplers</u>			
<u>All couplers come with 1 set of pins</u>			
<u>Model #</u>	<u>Description</u>		<u>List Price</u>
5MWC	Mechanical Wedge Coupler		\$2,135.00
5SPC	Draw Pin Coupler		\$2,152.00
HMI-055	Mechanical Pin Grab Coupler		\$7,969.00
CMI-055	Hydraulic Pin Grab Coupler (Install Kit Included)		\$9,448.00
<u>Top Mount</u>			
<u>Model #</u>	<u>Description</u>		<u>List Price</u>
5TM	Hammer/Compactor Mount		\$1,078.00
<u>Blank Lugs</u>			
<u>Model #</u>	<u>Description</u>		<u>List Price</u>
5BLW	Class 5 Blank Wedge Coupler Lugs		\$335.00 /set
5BLP	Class 5 Blank Pin-On Lugs		\$557.00 /set
<u>Chuck Blades</u>			
<u>Model #</u>	<u>Description</u>		<u>List Price</u>
5CB	No Tilt - 25" High x 42" Wide		POR
5HCB	Hydraulic Tilt - 25" High x 42" Wide		POR
<u>Trapezoid Bucket</u>			
<u>Model #</u>	<u>Description</u>		<u>List Price</u>
5TB-30	10" Bottom, 30" Top		\$3,540.00
5TB-36	16" bottom, 36" Top		\$3,719.00
<u>Excavator Fork Rack (ITA Style Tine)</u>			
<u>Model #</u>	<u>Description</u>		<u>List Price</u>
5EFR-50	50" Wide		\$2,052.00
<u>Tine Options</u>			
<u>Model #</u>	<u>Description</u>		<u>List Price</u>
5EFT-15-4-42	1.5"x4"x42" #2 Standard Taper (Set of 2)		\$1,173.00
5EFT-15-4-48	1.5"x4"x48" #2 Standard Taper (Set of 2)		\$1,220.00

Price Subject To Change Without Notice!

EXCAVATOR CLASS 6 WEIGHT CLASS 12,000 - 14,000 LBS

Bobcat	E60, E63
Case	CX60C
Daewoo	Solar55V Plus, PZ45, DX62R-3, DX63-3
Doosan	DX60R, DX63-3
Gehl Co.	GE602, GE603, GE652
Hitachi	EX60, ZX60USB-3, ZX60USB-5
Hyundai	R60CR-9, R60CR-9A
JCB	8060, 8065 RTS
John Deere	60D, 60G
Kubota	KH191
New Holland	E60C
Sany	SY60, SY60C
Takeuchi	TB257
Terex	HR20, TC60, TW70
Wacker Neuson	6003, ET65, EZ53
Volvo	EC55C, EC58ECR, EC60E

EXCAVATOR CLASS 6

WEIGHT CLASS 10,000 - 12,000 LBS

<u>Ditch Cleaning Buckets (Standard Capacity) c/w Reversible Bolt-On Edge</u>				<u>List Price</u>
<u>Model #</u>	<u>Width</u>	<u>Cu.Ft</u>		
6DC-36	36"	13		\$3,798.00
6DC-42	42"	15.25		\$4,096.00
6DC-48	48"	17.625		\$4,311.00
<u>Hydraulic Tilt Ditch Cleaning Buckets (c/w Reversible Bolt-On Edge)</u>				<u>List Price</u>
<u>Model #</u>	<u>Width</u>	<u>Cu.Ft</u>		
6HTD-42	42"	10.25		\$7,251.00
6HTD-48	48"	11.875		\$7,512.00
<u>Heavy Duty Tooth Buckets</u>				<u>List Price</u>
<u>Model #</u>	<u>Width</u>	<u>Cu.Ft</u>	<u>Teeth</u>	
6HD-12	12"	3.75	3	\$3,248.00
6HD-16	16"	5.25	4	\$3,367.00
6HD-18	18"	6	4	\$3,505.00
6HD-20	20"	6.625	4	\$3,643.00
6HD-24	24"	8.25	5	\$3,762.00
6HD-30	30"	10.625	6	\$3,986.00
6HD-36	36"	13	6	\$4,190.00
<u>Frost Ripper</u>				<u>List Price</u>
<u>Model #</u>	<u>Description</u>			
6FR-24	Single Tooth 24" Penetration			\$2,487.00
<u>Skeleton Buckets</u>				<u>List Price</u>
<u>Model #</u>	<u>Width</u>	<u>Cu.Ft</u>	<u>Teeth</u>	
6SK-24	24"	8.25	5	\$4,954.00
6SK-36	36"	13	6	\$5,338.00
<u>Root Rakes</u>				<u>List Price</u>
<u>Model #</u>	<u>Width</u>		<u>Tines</u>	
6RR-42	42"		5	\$4,116.00
6RR-48	48"		6	\$4,418.00
<u>Hybrid Rakes</u>				<u>List Price</u>
<u>Model #</u>	<u>Width</u>		<u>Tines</u>	
6HR-42	42"		5	\$4,493.00
6HR-48	48"		6	\$4,795.00
<u>Bucket Pins</u>				<u>List Price</u>
<u>Part #</u>	<u>Description</u>			
6BP	Bucket Pins - Set of 2			\$308.00

Price Subject To Change Without Notice!

EXCAVATOR CLASS 6

WEIGHT CLASS 10,000 - 12,000 LBS

<u>Thumbs</u>			
<u>Model #</u>	<u>Description</u>	<u>Tines</u>	<u>List Price</u>
6HWO-2T	Hydraulic Weld-On	2	\$4,373.00
6HSP-2T	Hydraulic Stick Pivot	2	\$4,373.00
6MWO-2T	Mechanical Weld-On	2	\$3,760.00
6PLT-2T	Progressive Link Thumb	2	\$5,361.00
<u>Couplers</u>			
<u>All couplers come with 1 set of pins</u>			
<u>Model #</u>	<u>Description</u>		<u>List Price</u>
6MWC	Mechanical Wedge Coupler		\$2,435.00
6SPC	Draw Pin Coupler		\$2,435.00
HMI-070	Mechanical Pin Grab Coupler		\$8,439.00
CMI-070	Hydraulic Pin Grab Coupler (Install Kit Included)		\$9,935.00
<u>Top Mount</u>			
<u>Model #</u>	<u>Description</u>		<u>List Price</u>
6TM	Hammer/Compactor Mount		\$1,292.00
<u>Blank Lugs</u>			
<u>Model #</u>	<u>Description</u>		<u>List Price</u>
6BLW	Class 6 Blank Wedge Coupler Lugs		\$395.00 /set
6BLP	Class 6 Blank Pin-On Lugs		\$663.00 /set
<u>Grapples</u>			
<u>Model #</u>	<u>Description</u>		<u>List Price</u>
6EG23	2 over 3 tine Demolition Grapple		POR
6EG34	3 over 4 tine Demolition Grapple		POR
<u>Chuck Blades</u>			
<u>Model #</u>	<u>Description</u>		<u>List Price</u>
6CB-42	No Tilt - 25" High x 42" Wide		POR
6HCB-42	Hydraulic Tilt - 25" High x 42" Wide		POR
<u>Trapezoid Bucket</u>			
<u>Model #</u>	<u>Description</u>		<u>List Price</u>
6TB-30	10" Bottom, 30" Top		\$3,755.00
6TB-36	10" Bottom, 36" Top		\$3,963.00
6TB-48	18" Bottom, 48" Top		\$4,498.00
<u>Excavator Fork Rack (ITA Style Tine)</u>			
<u>Model #</u>	<u>Description</u>		<u>List Price</u>
6EFR-50	50" Wide		\$2,115.00
<u>Tine Options</u>			
<u>Model #</u>	<u>Description</u>		<u>List Price</u>
6EFT-175-5-48	1.75"x5"x48" #2 Standard Taper (Set of 2)		\$1,520.00
6EFT-175-5-54	1.75"x5"x54" #2 Standard Taper (Set of 2)		\$1,746.00
6EFT-175-5-60	1.75"x5"x60" #2 Standard Taper (Set of 2)		\$1,877.00

EXCAVATOR CLASS 8

WEIGHT CLASS 14,000 - 24,000 LBS

Bobcat	442, E80, E85
Case	CX75, CX75 MSP, CX75C SR, CX80, CX80C, 580, 590
Caterpillar	E70B, 306 CR, 307C, 307C SB, 307D, 307.5, 308, 308 CR, 308C CR, 308 CR VAB, 308DCR, 308ECR, 308E2 CR, 309, 309 CR, 309CR VAB, 310, 420G
Daewoo	Solar70-3, Solar 75-U, 75-V, DH80W, DX80R, DX85R-3
Gehl	802, 803, 753Z, 1202, M100, Z80
Hitachi	EX60WD, UH031, UH033, Zaxis80, ZX70, ZX75US-A, EX90, UH043, EX100, EX100WD, WH051D, UH051D, ZX75US-3, ZX75US-5, ZX85USB-3/-5
Hyundai	HX85 A, R80-7R, R80CR-9, R80CR-9A
JCB	85Z-1 , 86C-1, 90Z-1, 100C-1, JS70, 8065, 8080 ZTS, 8085, 8085 ZTS, JZ70, 214
John Deere	70, 70B, 75C, 75D, 75G 80, 80C, 85D, 85G, 190E, 310G, 310K
Kobelco	60-3, 60-4, K903-2, 70SR, 80SR, 80CS, K903A, K904-2, K904C, K904D, SD 100 Mk3, SK60 Mk3, SK60 Mk4, SK75SR, SK85CS, SK100 Mk4,
Komatsu	PC60-5, PC60-7, PC60-7B, PC607B, PC78US-6, PC75UU, PC80, PC60-7, PC90, PC78US-10, PC88MR-3, PC88MR-8, P88MR-10, PC78US-8, PC88, PC95, PC95R-2, PC100, PC100-3, PC100-6,
Kubota	KX080, KX080-3, KX080-4
Liebherr	A308, A310, R308, R310
Link-belt	LS-1600, 80
New Holland	EH70, E80, EC110-LC, TC-125, MH2.6, MH3.6
Sany	SY75, SY75C, SY80, SY90C
Takeuchi	TB175, TB180FR, TB280FR, TB285, TB290, TB370
Terex	HML42, HR42, TC75, TW85, TW110
Thomas	T75
Volvo	ECR88, ECR88D
Wacker Neuson	6503, 8003, 9503, ET90, EW65, EW100
Yanmar	SV100, SV100-1, SV100-2A, ViO-70, ViO-80, ViO80-1A

EXCAVATOR CLASS 8

WEIGHT CLASS 14,000 - 24,000 LBS

<u>Ditch Cleaning Buckets (Standard Capacity) c/w Reversible Bolt-On Edge</u>				
<u>Model #</u>	<u>Width</u>	<u>Cu.Yds</u>		<u>List Price</u>
8DC-36	36"	0.375		\$3,952.00
8DC-42	42"	0.5		\$4,433.00
8DC-48	48"	0.565		\$4,740.00
8DC-54	54"	0.625		\$4,954.00
<u>Hydraulic Tilt Ditch Cleaning Buckets (c/w Reversible Bolt-On Edge)</u>				
<u>Model #</u>	<u>Width</u>	<u>Cu.Yds</u>		<u>List Price</u>
8HTD-42	42"	0.375		\$8,903.00
8HTD-48	48"	0.45		\$9,101.00
8HTD-54	54"	0.5		\$9,421.00
<u>Heavy Duty Tooth Buckets</u>				
<u>Model #</u>	<u>Width</u>	<u>Cu.Yds</u>	<u>Teeth</u>	<u>List Price</u>
8HD-16	16"	0.25	4	\$3,548.00
8HD-18	18"	0.3	4	\$3,677.00
8HD-24	24"	0.375	5	\$3,936.00
8HD-30	30"	0.375	5	\$4,111.00
8HD-36	36"	0.5	6	\$4,402.00
<u>Frost Ripper</u>				
<u>Model #</u>	<u>Description</u>			<u>List Price</u>
8FR-30	Single Tooth 30" Penetration			\$2,950.00
<u>Skeleton Buckets</u>				
<u>Model #</u>	<u>Width</u>	<u>Cu.Yds</u>	<u>Teeth</u>	<u>List Price</u>
8SK-30	30"	0.375	5	\$5,471.00
8SK-36	36"	0.5	5	\$5,622.00
8SK-48	48"	0.75	6	\$6,155.00
<u>Root Rakes</u>				
<u>Model #</u>	<u>Width</u>		<u>Tines</u>	<u>List Price</u>
8RR-48	48"		5	\$5,314.00
8RR-60	60"		7	\$6,220.00
<u>Hybrid Rakes</u>				
<u>Model #</u>	<u>Width</u>		<u>Tines</u>	<u>List Price</u>
8HR-48	48"		5	\$5,748.00
<u>Thumbs</u>				
<u>Model #</u>	<u>Description</u>		<u>Tines</u>	<u>List Price</u>
8HWO-2T	Hydraulic Weld-On		2	\$5,884.00
8HSP-2T	Hydraulic Stick Pivot		2	\$5,884.00
8MWO-2T	Mechanical Weld-On		2	\$4,926.00
8PLT-2T	Progressive Link Thumb		2	\$6,512.00

EXCAVATOR CLASS 8 WEIGHT CLASS 14,000 - 24,000 LBS

<u>Bucket Pins</u>		
<u>Part #</u>	<u>Description</u>	<u>List Price</u>
8BP	Bucket Pins - Set of 2	\$348.00
<u>Couplers</u> <u>All couplers come with 1 set of pins</u>		
<u>Model #</u>	<u>Description</u>	<u>List Price</u>
8MWC	Mechanical Wedge Coupler	\$2,599.00
8SPC	Draw Pin Coupler	\$2,599.00
HMI-099	Mechanical Pin Grab Coupler	\$8,964.00
CMI-099	Hydraulic Pin Grab Coupler (Install Kit Included)	\$10,179.00
<u>Top Mount</u>		
<u>Model #</u>	<u>Description</u>	<u>List Price</u>
8TM	Hammer/Compactor Mount	\$1,556.00
<u>Blank Lugs</u>		
<u>Model #</u>	<u>Description</u>	<u>List Price</u>
8BLW	Class 8 Blank Wedge Coupler Lugs	\$474.00 /set
8BLP	Class 8 Blank Pin-On Lugs	\$428.00 /set
<u>Grapples</u>		
<u>Model #</u>	<u>Description</u>	<u>List Price</u>
8EG23	2 over 3 tine Demolition Grapple	POR
8EG34	3 over 4 tine Demolition Grapple	POR
<u>Chuck Blades</u>		
<u>Model #</u>	<u>Description</u>	<u>List Price</u>
8CB-60	No Tilt - 30" High x 60" Wide	POR
8HCB-60	Hydraulic Tilt - 30" High x 60" Wide	POR
<u>Trapezoid Bucket</u>		
<u>Model #</u>	<u>Description</u>	<u>List Price</u>
8TB-36	16" Bottom, 36" Top	\$4,225.00
8TB-48	18" Bottom, 48" Top	\$4,780.00
<u>Excavator Fork Rack (ITA Style Tine)</u>		
<u>Model #</u>	<u>Description</u>	<u>List Price</u>
8EFR-50	50" Wide	\$2,426.00
<u>Tine Options</u>		
<u>Model #</u>	<u>Description</u>	<u>List Price</u>
8EFT-175-5-48	1.75"x5"x48" #2 Standard Taper (Set of 2)	\$1,520.00
8EFT-175-5-54	1.75"x5"x54" #2 Standard Taper (Set of 2)	\$1,746.00
8EFT-175-5-60	1.75"x5"x60" #2 Standard Taper (Set of 2)	\$1,877.00

Price Subject To Change Without Notice!

EXCAVATOR CLASS 13

WEIGHT CLASS 24,000 - 33,000 LBS

Case	9010B, 9010, 1085B/C, 688, 880/B/C/D/E, 888, CX130B, CX130C, CX130D, CX135, CX135MSR, CX145C SR, CX145D SR
Caterpillar	E110B, E120B, M312, 205, 205LC, 206, 206B, 211, 211LC, 212, 212B, 213, 214, 215BLC, 215CLC, 311, 311C U, 311DL, 311F L RR, 311FRD, 312, 312CL, 312D/E, 313, 313 GC, 313F GC, 313F L, 313FL GC, 314CL CR, 314DCR, 314ECR
Daewoo / Doosan	DH110, DH120W, S130W-3, DH120, DH130W, DH130, Solar140WV, DH130-2, S130-3, Solar130LC-V, Solar13-5/-3, Solar130W-3, DH130, Solar 130W, Solar 220LC-5/-3 Super Long Reach, Solar140LC-U, DX190, DL200, DL250, DX140LC, DX140LCR, DX140LC-3/-5, DX140LCR-3/-5, DX140W-3
Hitachi	EX120, UH052, UH052M, UH053, UH063, UH062, Zaxis120, Zaxis135US, ZX120-3, ZX130-5/-6, ZX135US-3/-5,
Hyundai	HW140, HX130LCR, HX140L, R130W-3, R130LC-3, R140LC-7, R130LCD-3, R130-3, R130W, R140LC-9, R140W-9, R145LCR-9
JCB	131X, JS110, JS115, JS145, 805BT, 806C, 812, 811, JS130, 814, 814 Super
John Deere	110, 120, 120C, 120D, 130G, 135C, 135CRTS, 135D, 135G, 490, 490D, 490E, 495D
Kobelco	ED150, ED160, K905-2, K904DL, K905, SK120-3, SK120-4, SK130-4, SK135-4, SK120M IV, 140SR, SK140SRLC
Komatsu	PC120-2, PC120-3, PC120-5, PC120-6, PC1206-6 Advance, PC120LC-6, PC-120LC-6 Advance, PC128UU, PC128US-2A, PC128US-2 Galeo, PC128US-2, PC128UU-2, PC128UU-2 Advance, PC100F-6, PC130-8, 138, PC138USLC-8, PC138USLC-10
Liebherr	A310B, A312, R310B, R312, A900 Litro, R900 Litro, R900B,C, A902, A902C, A902 Litro, R902 Litro, R902, A910 Compact, A911, R911, A912, R912
Link-belt	2650Q, LS2650,LS2650C, LS2650CII, 130LX, 130X4, 135 SPIN ACE
Mitsubishi	MS90, MS90-2, MS120-2, MS120-8
New Holland	EC130, EC130-LC, E135, E145, E150 Blade Runner
Sany	SY135C, SY140
Samsung	SE130W
Takeuchi	TB175, TB1140
Terex	TC125, TXC140LC-1
Volvo	EC130, EC130C, EC140E, EC140BLC, EC150, EC150C, EC140D, ECR145C,D,E, EW130, EW130C, EW150, EW150C, EWR130E

EXCAVATOR CLASS 13

WEIGHT CLASS 24,000 - 33,000 LBS

<u>Ditch Cleaning Buckets (Standard Capacity) c/w Reversible Bolt-On Edge</u>				
<u>Model #</u>	<u>Width</u>	<u>Cu.Yds</u>		<u>List Price</u>
13DC-42	42"	0.75		\$7,138.00
13DC-48	48"	0.875		\$7,380.00
13DC-54	54"	1		\$7,737.00
13DC-60	60"	1.125		\$8,071.00
<u>Hydraulic Tilt Ditch Cleaning Buckets (c/w Reversible Bolt-On Edge)</u>				
<u>Model #</u>	<u>Width</u>	<u>Cu.Yds</u>		<u>List Price</u>
13HTD-54	54"	0.75		\$12,338.00
13HTD-60	60"	0.875		\$12,645.00
<u>Heavy Duty Tooth Buckets</u>				
<u>Model #</u>	<u>Width</u>	<u>Cu.Yds</u>	<u>Teeth</u>	<u>List Price</u>
13HD-18	18"	0.25	3	\$5,803.00
13HD-24	24"	0.375	4	\$6,657.00
13HD-30	30"	0.5	4	\$7,148.00
13HD-36	36"	0.625	5	\$7,550.00
13HD-42	42"	0.875	5	\$8,192.00
13HD-48	48"	1	6	\$8,583.00
<u>Heavy Duty Pin Grabber Tooth Buckets</u>				
<u>Model #</u>	<u>Width</u>	<u>Cu.Yds</u>	<u>Teeth</u>	<u>List Price</u>
13HDPG-18	18"	0.25	3	\$6,473.00
13HDPG-24	24"	0.375	4	\$7,328.00
13HDPG-30	30"	0.5	4	\$7,818.00
13HDPG-36	36"	0.625	5	\$8,220.00
13HDPG-42	42"	0.875	5	\$8,862.00
13HDPG-48	48"	1	6	\$9,253.00
pin grabber buckets are pin grab compatible only				
<u>Frost Ripper</u>				
<u>Model #</u>	<u>Description</u>			<u>List Price</u>
13FR-30	Single Tooth 30" Penetration			\$4,521.00
<u>Skeleton Buckets</u>				
<u>Model #</u>	<u>Width</u>	<u>Cu.Yds</u>	<u>Teeth</u>	<u>List Price</u>
13SK-36	36"	0.75	5	\$10,426.00
13SK-48	48"	1	6	\$11,251.00
<u>Root Rakes</u>				
<u>Model #</u>	<u>Width</u>		<u>Tines</u>	<u>List Price</u>
13RR-48	48"		5	\$8,337.00
13RR-54	54"		6	\$9,271.00

EXCAVATOR CLASS 13

WEIGHT CLASS 24,000 - 33,000 LBS

Hybrid Rakes			
<u>Model #</u>	<u>Width</u>	<u>Tines</u>	<u>List Price</u>
13HR-48	48"	5	\$8,756.00
13HR-54	54"	6	\$9,690.00
Thumbs			
<u>Model #</u>	<u>Description</u>	<u>Tines</u>	<u>List Price</u>
13HWO-2T	Hydraulic Weld-On	2	\$7,784.00
13HWO-4T	Hydraulic Weld-On	4	\$8,193.00
13HSP-2T	Hydraulic Stick Pivot	2	\$7,784.00
13HSP-4T	Hydraulic Stick Pivot	4	\$8,193.00
13MWO-4T	Mechanical Weld-On	4	\$7,438.00
13PLT-2T	Progressive Link Thumb	2	\$9,470.00
13PLT-4T	Progressive Link Thumb	4	\$9,842.00
Bucket Pins			
<u>Part #</u>	<u>Description</u>		<u>List Price</u>
13BP	Bucket Pins - Set of 2		\$403.00
Couplers			
	<u>All couplers come with 1 set of pins</u>		
<u>Model #</u>	<u>Description</u>		<u>List Price</u>
13MWC	Mechanical Wedge Coupler		\$2,892.00
13SPC	Draw Pin Coupler		\$2,892.00
HMI-130	Mechanical Pin Grab Coupler		\$9,709.00
CMI-130	Hydraulic Pin Grab Coupler (Install kit Included)		\$10,823.00
Top Mount			
<u>Model #</u>	<u>Description</u>		<u>List Price</u>
13TM	Hammer/Compactor Mount		\$2,560.00
Blank Lugs			
<u>Model #</u>	<u>Description</u>		<u>List Price</u>
13BLW	Class 13 Blank Wedge Coupler Lugs		\$1,170.00 /set
13BLP	Class 13 Blank Pin-On Lugs		\$1,139.00 /set
Grapples			
<u>Model #</u>	<u>Description</u>		<u>List Price</u>
13EG23	2 over 3 tine Demolition Grapple		\$20,077.00
13EG34	3 over 4 tine Demolition Grapple		\$21,380.00

EXCAVATOR CLASS 13

WEIGHT CLASS 24,000 - 33,000 LBS

<u>Chuck Blades</u>		
<u>Model #</u>	<u>Description</u>	<u>List Price</u>
13CB-60	No Tilt - 30" High x 60" Wide	POR
13HCB-60	Hydraulic Tilt - 30" High x 60" Wide	POR
<u>Trapezoid Bucket</u>		
<u>Model #</u>	<u>Description</u>	<u>List Price</u>
13TB-48	18" Bottom, 48" Top	\$8,068.00
13TB-54	24" Bottom, 54" Top	\$8,488.00
<u>Concrete Pulverizer</u>		
<u>Model #</u>	<u>Description</u>	<u>List Price</u>
13CP-34	3 Over 4 Jaw Configuration	POR
<u>Excavator Fork Rack (ITA Style Tine)</u>		
<u>Model #</u>	<u>Description</u>	<u>List Price</u>
13EFR-60	60" Wide	\$5,289.00
<u>Tine Options</u>		
<u>Model #</u>	<u>Description</u>	<u>List Price</u>
13EFT-2-6-48	2"x6"x48" Standard Taper (Set of 2)	\$2,231.00
13EFT-2-6-54	2"x6"x54" Standard Taper (Set of 2)	\$2,299.00
13EFT-2-6-60	2"x6"x60" Standard Taper (Set of 2)	\$2,414.00

EXCAVATOR CLASS 15

WEIGHT CLASS 33,000 - 45,000 LBS

Atlas	1622D, 1604LC, 1704 LC, 140W, 140W BF, 150W, 160LC, 160W, 160WSR, 165WSR, 170LC, 175 WSR, 185LC SR,
Bobcat	E145, E165
Case	CX160, CX160C/D, 9020, 9020B, 980B,
Caterpillar	M315, M316C, M318, 213LC, 214B, 215B, 213BLC, 213B, 315, 315CL, 315DL, 315F L, 315 GC, 316E, 316F L, 317, 317 GC, 318C L, 318E, 318F L, 319DL
Daewoo / Doosan	DH170, DH170-2, S170W-3, Sola175LCV, Solar180WV, Solar170-3, Solar170W, Solar 200W-3, DX140W-5, DX170LC-5, DX180LC, DX180LC-3/-5, DX190W-5
Fiat-Allis	FE16, FE18, FE18R, FE18RM, FE18LC, FX150, FX40LC, FX200, FX200W, FE20
Hitachi	EX150, EX160, EX160W, UH071, UH073,WH073, Zaxis160LC, ZX160LC-3/-5/-6, ZX180LC-6
Gradall	XL3200V, XL3300V, XL4300V
Hyundai	HW180, HW250MH, HX140LC, HX145LCR, HX160L, HX180L, R160LC-3, R160LC-9, R160LCD-3, R170W-3, W170W-9, R180-3, R180LC-3, R180LC-9
JCB	150X, JS150, JS160, JS160NLC, JZ141
John Deere	160, 160LC, 180C, 180C W, 190G W, 590D, 595D,
Kobelco	SK150M IV, SK160LC, ED160BR, ED180, SK150-3, SK150-4, SK170, SK175LC, ED195 Blade Runner
Komatsu	PC150-1/-3/-5/-6, PC150LC-6, PC158USLC-2, PC160LC-7, PC160LC-8, PC170, PC170LC-10, PW170-5, PW170ES-6, PC180-3, PW180
Liebherr	A904, A912 Litro, R912 Litro, A914 Compact, R914 Compact, A918, A918 Compact
Link-Belt	2700Q, LS2700CII, 145 X4 SPIN ACE, 160LX, 160X4, 240LX Long Front
Mitsubishi	MS140
New Holland	E150, EC160, EC160LC, E175B, E195B
Sany	SY155U
Samsung	SE170W
Takeuchi	TB2150
Terex	TW150, TW180SRm, TXC 175LC-1, TXC 180LC-2
Volvo	EC150LC, EC160BLC, EC160C,D,E, EW160C,D,E, EW170, EW170E, EW200, EWR150E
Wacker Neuson	ET145

EXCAVATOR CLASS 15

WEIGHT CLASS 33,000 - 45,000 LBS

<u>Ditch Cleaning Bucket (Standard Capacity) c/w Reversible Bolt-On Edge</u>				<u>List Price</u>
<u>Model #</u>	<u>Width</u>	<u>Cu.Yds</u>		
15DC-42	42"	0.875		\$7,212.00
15DC-48	48"	1		\$7,587.00
15DC-54	54"	1.25		\$8,069.00
15DC-60	60"	1.375		\$8,397.00
<u>Hydraulic Tilt Ditch Cleaning Buckets (c/w Reversible Bolt-On Edge)</u>				<u>List Price</u>
<u>Model #</u>	<u>Width</u>	<u>Cu.Yds</u>		
15HTD-54	54"	0.875		\$12,651.00
15HTD-60	60"	1		\$13,130.00
<u>Heavy Duty Tooth Bucket</u>				<u>List Price</u>
<u>Model #</u>	<u>Width</u>	<u>Cu.Yds</u>	<u>Teeth</u>	
15HD-20	20"	0.5	3	\$7,255.00
15HD-24	24"	0.563	4	\$7,708.00
15HD-30	30"	0.75	4	\$8,024.00
15HD-36	36"	0.875	5	\$8,515.00
15HD-42	42"	1	5	\$8,927.00
15HD-48	48"	1.125	6	\$9,443.00
<u>Heavy Duty Pin Grabber Tooth Buckets</u>				<u>List Price</u>
<u>Model #</u>	<u>Width</u>	<u>Cu.Yds</u>	<u>Teeth</u>	
15HDPG-20	20"	0.5	3	\$8,167.00
15HDPG-24	24"	0.563	4	\$8,620.00
15HDPG-30	30"	0.75	4	\$8,936.00
15HDPG-36	36"	0.875	5	\$9,427.00
15HDPG-42	42"	1	5	\$9,839.00
15HDPG-48	48"	1.125	6	\$10,355.00
pin grabber buckets are pin grab compatible only				
<u>Extreme Duty Rock Buckets</u>				<u>List Price</u>
<u>Model #</u>	<u>Width</u>	<u>Cu.Yds</u>	<u>Teeth</u>	
15EDR-30	30"	0.75	4	POR
15EDR-36	36"	0.875	5	POR
15EDR-42	42"	1	5	POR
<u>Frost Ripper</u>				<u>List Price</u>
<u>Model #</u>	<u>Description</u>			
15FR-36	Single Tooth 36" Penetration			\$5,212.00
<u>Skeleton Buckets</u>				<u>List Price</u>
<u>Model #</u>	<u>Width</u>	<u>Cu.Yds</u>	<u>Teeth</u>	
15SK-42	42"	1	5	\$12,129.00
15SK-48	48"	1.125	6	\$12,520.00

EXCAVATOR CLASS 15

WEIGHT CLASS 33,000 - 45,000 LBS

<u>Root Rake</u>			
<u>Model #</u>	<u>Width</u>	<u>Tines</u>	<u>List Price</u>
15RR-48	48"	5	\$9,622.00
15RR-54	54"	6	\$10,305.00
15RR-60	60"	7	\$10,953.00
<u>Hybrid Rake</u>			
<u>Model #</u>	<u>Width</u>	<u>Tines</u>	<u>List Price</u>
15HR-48	48"	5	\$10,376.00
15HR-54	54"	6	\$11,022.00
15HR-60	60"	7	\$11,781.00
<u>Thumbs</u>			
<u>Model #</u>	<u>Description</u>	<u>Tines</u>	<u>List Price</u>
15HWO-2T	Hydraulic Weld-On	2	\$9,028.00
15HWO-4T	Hydraulic Weld-On	4	\$9,463.00
15HSP-2T	Hydraulic Stick Pivot	2	\$9,028.00
15HSP-4T	Hydraulic Stick Pivot	4	\$9,463.00
15MWO-4T	Mechanical Weld-On	4	\$8,572.00
15PLT-2T	Progressive Link Thumb	2	\$10,475.00
15PLT-4T	Progressive Link Thumb	4	\$10,900.00
<u>Bucket Pins</u>			
<u>Part #</u>	<u>Description</u>		<u>List Price</u>
15BP	Bucket Pins - Set of 2		\$651.00
<u>Couplers</u>			
<u>All couplers come with 1 set of pins</u>			
<u>Model #</u>	<u>Description</u>		<u>List Price</u>
15MWC	Mechanical Wedge Coupler		\$3,772.00
HMI-170	Mechanical Pin Grab Coupler		\$10,527.00
CMI-170	Hydraulic Pin Grab Coupler (Install Kit Included)		\$13,102.00
<u>Top Mount</u>			
<u>Model #</u>	<u>Description</u>		<u>List Price</u>
15TM	Hammer/Compactor Mount		\$3,026.00
<u>Blank Lugs</u>			
<u>Model #</u>	<u>Description</u>		<u>List Price</u>
15BLW	Class 15 Blank Wedge Coupler Lugs		\$2,008.00 /set
15BLP	Class 15 Blank Pin-On Lugs		\$1,404.00 /set

EXCAVATOR CLASS 15

WEIGHT CLASS 33,000 - 45,000 LBS

<u>Grapples</u>		<u>List Price</u>
<u>Model #</u>	<u>Description</u>	
15EG23	2 over 3 Tine Demolition Grapple	POR
15EG34	3 over 4 Tine Demolition Grapple	POR
<u>Chuck Blades</u>		<u>List Price</u>
<u>Model #</u>	<u>Description</u>	
15CB-72	No Tilt - 40" High x 72" Wide	POR
15HCB-72	Hydraulic Tilt - 40" High x 72" Wide	POR
<u>Trapezoid Bucket</u>		<u>List Price</u>
<u>Model #</u>	<u>Description</u>	
15TB-60	24" Bottom, 60" Top	\$8,546.00
<u>Concrete Pulverizer</u>		<u>List Price</u>
<u>Model #</u>	<u>Description</u>	
15CP-34	3 Over 4 Jaw Configuration	POR
<u>Excavator Fork Rack (ITA Style Tine)</u>		<u>List Price</u>
<u>Model #</u>	<u>Description</u>	
15EFR-60	60" Wide Rack	\$5,321.00
<u>Tine Options</u>		<u>List Price</u>
<u>Model #</u>	<u>Description</u>	
15EFT-2-6-48	2"x6"x48" Standard Taper (Set of 2)	\$2,231.00
15EFT-2-6-54	2"x6"x54" Standard Taper (Set of 2)	\$2,299.00
15EFT-2-6-60	2"x6"x60" Standard Taper (Set of 2)	\$2,414.00

EXCAVATOR CLASS 20

WEIGHT CLASS 45,000 - 55,000 LBS

Atlas	1622D, 1604LC, 1704, 170, 180WSR, 190W, 215LC SR, 220W, 225LC
Case	9030, 9030B, 1088, 1080/B, 1280/B, CX210, CX210-LR, CX210C/D, CX225
Caterpillar	CX225, E180B, 3200B, M318C, 215, 215DLC, 219, 219C, 224, 224B, 320, 320B, 320C L, 320DL, 320DL CR, 320EL, 320EL RR, 320L, 320N, 321CL CR, 321DL CR, 322C L, 322N, 322S, 323D/E/FL/L RR, 325, 325F, 325 FL, 325FL CR
Daewoo / Doosan	DH180, DH180LC, DH200LC, DH220W, S200W-3, Solar200-3, DH200, DH200W, Solar210WV, DH220, DX225LC, S220LC-3, Solar225LCV, DX190W, DX190W-3, DX210W, DX210W-5
Fiat-Hitachi	FH200
Gradall	XL4200V, XL5200V, XL5300V
Hitachi	EX200, EX200LC, EX220, EX220L, UH081, UH082, UH083, Zaxis 225USLC, ZX180LC-3/-5, ZX190W-3/-5/-6, ZX200-3, ZX200LC-3, ZX210-5/-6, ZX210LC-5/-6, ZX220W-3, ZX225US-3, ZX225USLC-3, ZX245USLC-5,
Hyundai	HW210, HX210A L, HX220L/A L/LR, HX235A LCR, HX235LCR, R180LC-3/-9, R180LCD-3, R200W-3, R200LC-2, R210LC-1/-2/-3/-7/-9, R210W-9, R235LC-9, R235LCR-7, R250LC-3
JCB	200X, 807C, 817, 818, 818Super, JS180, JS190, JS200, JS220,
John Deere	180GLC, 190D, 190GW, 200, 200DLC, 200D/G, 210GLC, 220DW, 225DLC, 230G W, 245G LC, 690D/E, 690B/C,
Kobelco	K907, K907-2, K907C, K907CL, SK200-3, ED190, ED195 Blade Run, SK200-4, 215SR, SK210HLC, SK210LC, SK200M IV, 200SRLC, SK220-2/-3/-4, SK220 M IV, 235SRLC, SK260SRLC
Komatsu	PC180-5, PC200-2/-3/-5/-6/-7, PC200-7B, PC210, PC210-5/-3, PC200LC-6 Advance, PC200LC-7, PC200LC-7I, PC200-LC6, PC200LC-8, PC210-LC6, PC210LC10, PC210-LC11, PC220, PC215LC-1, PC228USLC-3N, PC228UU-LC-1, PC228LC-7, PC228USLC-8, PC228USLC-10, PC238USLC-11, PW200-7
Liebherr	R904, A914, R914, R918, A920, R920 Compact, R921, A922, R922, A922 Litro, A924, R924
Link-Belt	2800LFQ, 2800Q, LA2800CII, LS2800A, SL2800B, 210LX, 210X4, 225
Mitsubishi	MS180-3, MS180-8, MS230, MS240
New Holland	EC215, EC215-LC, E215B, EW200, EW215,
Sany	SY205, SY215, SY215C
Samsung	SE200, SE200W, SE210, SE210LC, SE210LC-1/-2/-3, LE210W-2
Terex	TC210, TC225 LC, TC260, TW190, TXC 225LC-1 TXC 225LC-2,
Volvo	EC200/C/D/E, EC210BLC, EC210B-LR, EC210C, EC220D, EC220E, ECR235D, ECR235E, EW180/C/D/E, EW200, EW180C, EW210C/D, EW220E, EW230B

EXCAVATOR CLASS 20

WEIGHT CLASS 45,000 - 55,000 LBS

<u>Ditch Cleaning Bucket (Standard Capacity) c/w Reversible Bolt-On Edge</u>				
<u>Model #</u>	<u>Width</u>	<u>Cu.Yds</u>		<u>List Price</u>
20DC-54	54"	1.50		\$9,818.00
20DC-60	60"	1.63		\$10,203.00
20DC-66	66"	1.88		\$10,687.00
20DC-72	72"	2.00		\$10,944.00
<u>Hydraulic Tilt Ditch Cleaning Buckets (c/w Reversible Bolt-On Edge)</u>				
<u>Model #</u>	<u>Width</u>	<u>Cu.Yds</u>		<u>List Price</u>
20HTD-60	60"	1.40		\$16,753.00
20HTD-66	66"	1.56		\$17,309.00
20HTD-72	72"	1.75		\$17,828.00
<u>Heavy Duty Tooth Bucket</u>				
<u>Model #</u>	<u>Width</u>	<u>Cu.Yds</u>	<u>Teeth</u>	<u>List Price</u>
20HD-24	24"	0.69	3	\$9,693.00
20HD-30	30"	0.88	4	\$11,176.00
20HD-36	36"	1.00	5	\$11,907.00
20HD-42	42"	1.25	5	\$12,295.00
20HD-48	48"	1.50	6	\$13,066.00
<u>Heavy Duty Pin Grabber Tooth Buckets</u>				
<u>Model #</u>	<u>Width</u>	<u>Cu.Yds</u>	<u>Teeth</u>	<u>List Price</u>
20HDPG-24	24"	0.69	3	\$10,760.00
20HDPG-30	30"	0.88	4	\$12,243.00
20HDPG-36	36"	1.00	5	\$12,974.00
20HDPG-42	42"	1.25	5	\$13,361.00
20HDPG-48	48"	1.50	6	\$14,133.00
pin grabber buckets are pin grab compatible only				
<u>Extreme Duty Rock Buckets</u>				
<u>Model #</u>	<u>Width</u>	<u>Cu.Yds</u>	<u>Teeth</u>	<u>List Price</u>
20EDR-36	36"	1.13	5	POR
20EDR-42	42"	1.38	5	\$21,041.00
20EDR-48	48"	1.50	6	POR
<u>Frost Ripper</u>				
<u>Model #</u>	<u>Description</u>			<u>List Price</u>
20FR-54	Single Tooth 54" Penetration			\$9,133.00
<u>Skeleton Buckets</u>				
<u>Model #</u>	<u>Width</u>	<u>Cu.Yds</u>	<u>Teeth</u>	<u>List Price</u>
20SK-42	42"	1.25	5	\$15,463.00
20SK-48	48"	1.50	6	\$16,170.00

EXCAVATOR CLASS 20

WEIGHT CLASS 45,000 - 55,000 LBS

<u>Root Rake</u>			
<u>Model #</u>	<u>Width</u>	<u>Tines</u>	<u>List Price</u>
20RR-60	60"	7	\$15,174.00
20RR-72	72"	7	\$16,514.00
<u>Hybrid Rakes</u>			
<u>Model #</u>	<u>Width</u>	<u>Tines</u>	<u>List Price</u>
20HR-60	60"	7	\$15,881.00
20HR-72	72"	7	\$17,315.00
<u>Thumbs</u>			
<u>Model#</u>	<u>Description</u>	<u>Tines</u>	<u>List Price</u>
20HWO-2T	Hydraulic Weld-On	2	\$11,369.00
20HWO-4T	Hydraulic Weld-On	4	\$11,803.00
20HSP-2T	Hydraulic Stick Pivot	2	\$11,369.00
20HSP-4T	Hydraulic Stick Pivot	4	\$11,803.00
20MWO-4T	Mechanical Weld-on	4	\$11,186.00
20PLT-2T	Progressive Link Thumb	2	\$14,128.00
20PLT-4T	Progressive Link Thumb	4	\$14,622.00
<u>Bucket Pins</u>			
<u>Part #</u>	<u>Description</u>		<u>List Price</u>
20BP	Bucket Pins - Set of 2		\$687.00
<u>Couplers</u>			
<u>All couplers come with 1 set of pins</u>			
<u>Model #</u>	<u>Description</u>		<u>List Price</u>
20MWC	Mechanical Wedge Coupler		\$4,665.00
HMI-210	Mechanical Pin Grab Coupler		\$12,371.00
CMI-210	Hydraulic Pin Grab Coupler (Install Kit Included)		\$14,773.00
<u>Top Mount</u>			
<u>Model #</u>	<u>Description</u>		<u>List Price</u>
20TM	Hammer/Compactor Mount		\$3,306.00
<u>Blank Lugs</u>			
<u>Model #</u>	<u>Description</u>		<u>List Price</u>
20BLW	Class 20 Blank Wedge Coupler Lugs		\$2,928.00 /set
20BLP	Class 20 Blank Pin-On Lugs		\$1,993.00 /set
<u>Grapples</u>			
<u>Model #</u>	<u>Description</u>		<u>List Price</u>
20EG23	2 over 3 tine Demolition Grapple		\$23,326.00
20EG34	3 over 4 tine Demolition Grapple		\$26,423.00

EXCAVATOR CLASS 20

WEIGHT CLASS 45,000 - 55,000 LBS

<u>Chuck Blades</u>		<u>List Price</u>
<u>Model #</u>	<u>Description</u>	
20CB-84	No Tilt - 40" High x 84" Wide	POR
20HCB-84	Hydraulic Tilt - 40" High x 84" Wide	PQR.
<u>Trapezoid Bucket</u>		<u>List Price</u>
<u>Model #</u>	<u>Description</u>	
20TB-66	24" Bottom, 60" Top c/w Bolt-On Cutting Edge	\$10,638.00
20TB-663T	24" Bottom, 60" Top c/w 3 Teeth	\$10,942.00
<u>Concrete Pulverizer</u>		<u>List Price</u>
<u>Model #</u>	<u>Description</u>	
20CP-34	3 Over 4 Jaw Configuration	POR
20CP-45	4 Over 5 Jaw Configuration	POR
<u>Excavator Fork Rack (ITA Style Tine)</u>		<u>List Price</u>
<u>Model #</u>	<u>Description</u>	
20EFR-60	60" Wide	\$5,819.00
<u>Tine Options</u>		<u>List Price</u>
<u>Model #</u>	<u>Description</u>	
20EFT-25-6-48	2.5"x6"x48" Standard Taper (Set of 2)	\$3,349.00
20EFT-25-6-54	2.5"x6"x54" Standard Taper (Set of 2)	\$3,581.00
20EFT-25-6-60	2.5"x6"x60" Standard Taper (Set of 2)	\$3,847.00
20EFT-25-6-72	2.5"x6"x72" Standard Taper (Set of 2)	\$4,261.00
20EFT-25-6-84	2.5"x6"x84" Standard Taper (Set of 2)	\$4,751.00
20EFT-25-6-96	2.5"x6"x96" Standard Taper (Set of 2)	\$5,504.00

EXCAVATOR CLASS 25

WEIGHT CLASS 55,000 - 65,000 LBS

Atlas	260 LC
Case	9040, 9040B, 1288, CX225, CX235C, CX240B, CX240-LR, CX245D SR, CX250C/D, CX290B, CX300C SR,
Caterpillar	E240B, 225, 225B, 225D, 229, 229D, 324E, 325B/C/C L/F/L, 326, 326F, 328DL, 329E, 392FL
Daewoo / Doosan	DX225LC, DX235LCR, DX225LC, DX225LC-3/-5, Solar225LCV, DH280, Solar290-5, Solar280-3, DX225LC, S280LC-3, DX235LCR,
Fiat-Hitachi	FH220
Hitachi	UH101, UH103, UH121, UH122, UH123, EX270, EX270LC, Zaxis230LC, Zaxis270LC, ZX240-3, ZX250LC-5/-6, ZX270-3, ZX290LC-5,
Hyundai	R250LC-9, R260LC-9A, R280, R290, R290-LC-3, R290LC-7, R290LC-9
JCB	820Super, JS240, JS260L, JS260LXD, JS2600-LR
John Deere	230, 230CLC, 240DLC, 245GLC, 250D/G LC, 270DLC, 270CLC, 290G LC, 790, 790D/E, 790E-LC
Kobelco	K909, K909-2, K909A, SK250LC, SK270M IV, SK270-4, SK290LC, SK295LC, SK230SRLC KS260LC
Komatsu	PC240-3, PC240-5, PC240LC-10, PC250, PC250-6, PC250LC-6, PC270LC-6Advance, PC280, PC28-3, PF55L
Liebherr	R925, R926, R926 Compact, R928, R932, R932 Litro,
Link-Belt	3400Q, 3400LFQ, LS3400CII, LS3400C, LS34000, LS3400A, LX240, 240LX, 245X4, 245X4 SPIN ACE, 250X4, 290LX
Mitsubishi	MS230, MS230-3, MS240
New Holland	EC240, EC240-LC, E245B, EC270-LC, EC270, EW160
Sany	SY235
Terex	TXC 225LC-1, TXC 225LC-2
Volvo	EC230, EC230B, EC235E, EC240BLC, EC240B-LR, EC240C, EC250D/E, EC290, EC290D EW230C

EXCAVATOR CLASS 25

WEIGHT CLASS 55,000 - 65,000 LBS

<u>Ditch Cleaning Bucket (Standard Capacity) c/w Reversible Bolt-On Edge</u>				
<u>Model #</u>	<u>Width</u>	<u>Cu.Yds</u>		<u>List Price</u>
25DC-60	60"	2		\$13,190.00
25DC-66	66"	2.125		\$13,689.00
25DC-72	72"	2.375		\$14,264.00
<u>Hydraulic Tilt Ditch Cleaning Buckets (c/w Reversible Bolt-On Edge)</u>				
<u>Model #</u>	<u>Width</u>	<u>Cu.Yds</u>		<u>List Price</u>
25HTD-66	66"	1.625		\$26,239.00
25HTD-72	72"	1.875		\$26,640.00
<u>Heavy Duty Tooth Bucket</u>				
<u>Model #</u>	<u>Width</u>	<u>Cu.Yds</u>	<u>Teeth</u>	<u>List Price</u>
25HD-30	30"	1	4	\$11,879.00
25HD-36	36"	1.25	4	\$12,481.00
25HD-42	42"	1.5	5	\$12,943.00
25HD-48	48"	1.75	6	\$13,596.00
25HD-54	54"	1.875	6	\$14,342.00
<u>Heavy Duty Pin Grabber Tooth Buckets</u>				
<u>Model #</u>	<u>Width</u>	<u>Cu.Yds</u>	<u>Teeth</u>	<u>List Price</u>
25HDPG-36	36"	1.25	4	\$13,745.00
25HDPG-42	42"	1.5	4	\$14,198.00
25HDPG-48	48"	1.75	5	\$14,860.00
pin grabber buckets are pin grab compatible only				
<u>Extreme Duty Rock Buckets</u>				
<u>Model #</u>	<u>Width</u>	<u>Cu.Yds</u>	<u>Teeth</u>	<u>List Price</u>
25EDR-36	36"	1.25	4	POR
25EDR-42	42"	1.5	5	POR
25EDR-48	48"	1.625	5	POR
25EDR-54	54"	1.875	5	POR
<u>Frost Ripper</u>				
<u>Model #</u>	<u>Description</u>			<u>List Price</u>
25FR-56	Single Tooth 56" Penetration			\$11,010.00
<u>Skeleton Buckets</u>				
<u>Model #</u>	<u>Width</u>	<u>Cu.Yds</u>	<u>Teeth</u>	<u>List Price</u>
25SK-48	48"	1.5	6	\$17,684.00
25SK-54	54"	1.875	6	\$21,296.00
<u>Root Rake</u>				
<u>Model #</u>	<u>Width</u>		<u>Tines</u>	<u>List Price</u>
25RR-60	60"		6	\$17,652.00
25RR-72	72"		7	\$19,276.00

EXCAVATOR CLASS 25

WEIGHT CLASS 55,000 - 65,000 LBS

<u>Hybrid Rake</u>			
<u>Model #</u>	<u>Width</u>	<u>Tines</u>	<u>List Price</u>
25HR-60	60"	6	\$19,017.00
25HR-72	72"	7	\$20,784.00
<u>Thumbs</u>			
<u>Model #</u>	<u>Description</u>	<u>Tines</u>	<u>List Price</u>
25HWO-2T	Hydraulic Weld-On	2	\$13,268.00
25HWO-4T	Hydraulic Weld-On	4	\$13,861.00
25HSP-2T	Hydraulic Stick Pivot	2	\$13,268.00
25HSP-4T	Hydraulic Stick Pivot	4	\$13,861.00
25MWO-4T	Mechanical Thumb	4	\$13,787.00
25PLT-2T	Progressive Link Thumb	2	\$17,289.00
25PLT-4T	Progressive Link Thumb	4	\$17,980.00
<u>Bucket Pins</u>			
<u>Part #</u>	<u>Description</u>		<u>List Price</u>
25BP	Bucket Pins - Set of 2		\$948.00
<u>Couplers</u>			
<u>All couplers come with 1 set of pins</u>			
<u>Model #</u>	<u>Description</u>		<u>List Price</u>
25MWC	Mechanical Wedge Coupler		\$5,223.00
HMI-270	Mechanical Pin Grab Coupler		\$14,129.00
CMI-270	Hydraulic Pin Grab Coupler (Install Kit Included)		\$18,270.00
<u>Top Mount</u>			
<u>Model #</u>	<u>Description</u>		<u>List Price</u>
25TM	Hammer/Compactor Mount		\$3,833.00
<u>Blank Lugs</u>			
<u>Model #</u>	<u>Description</u>		<u>List Price</u>
25BLW	Class 25 Blank Wedge Coupler Lugs		\$3,443.00 /set
25BLP	Class 25 Blank Pin-On Lugs		\$3,206.00 /set
<u>Grapples</u>			
<u>Model #</u>	<u>Description</u>		<u>List Price</u>
25EG23	2 over 3 tine Demolition Grapple		\$26,731.00
25EG34	3 over 4 tine Demolition Grapple		\$27,801.00
<u>Chuck Blades</u>			
<u>Model #</u>	<u>Description</u>		<u>List Price</u>
25CB-84	No Tilt - 50" High x 84" Wide		POR
25HCB-84	Hydraulic Tilt - 50" High x 84" Wide		POR

EXCAVATOR CLASS 25

WEIGHT CLASS 55,000 - 65,000 LBS

<u>Trapezoid Bucket</u>		<u>List Price</u>
<u>Model #</u>	<u>Description</u>	
25TB-2472	24" Bottom, 72" Top c/w Bolt-On Cutting Edge	\$14,812.00
25TB-2472-3T	24" Bottom, 72" Top c/w 3 Teeth	\$15,115.00
25TB-3072	30" Bottom, 72" Top c/w Bolt-On Cutting Edge	\$15,068.00
25TB-3072-3T	30" Bottom, 72" Top c/w 3 Teeth	\$15,294.00

<u>Concrete Pulverizer</u>		<u>List Price</u>
<u>Model #</u>	<u>Description</u>	
25CP-34	3 Over 4 Jaw Configuration	POR
25CP-45	4 Over 5 Jaw Configuration	POR

EXCAVATOR CLASS 30

WEIGHT CLASS 65,000 - 90,000 LBS

Atlas	340 LC
Case	9045B, 9050, 9050B, 125, CX300D, CX330, CX350B/C/D
Caterpillar	E300, 231D, 328DL CR, 329E, 330, 330 GC, 330C L, 330D, 330L, 335, 335F L, 335FL LR, 336, 336DL, 336EH, 336EL, 336F, 336 GC
Daewoo/ Doosan Hitachi	Solar300LCV, Solar330-3, Solar340LCV, Solar400-3, DH320, Solar320-3, DX300, DX300LC, DX300LC-3/-5, DX340, DX340LC, DX350LC, DX350LC, DX350LC-3/-5 EX300, EX300LC, UH121LC, UH122LC, UH143, Zaxis330LC, ZX330-3, ZX345USLC-6 ZX350LC-5, ZX350LC-6, ZX380LC-5, ZX380LC-6
Hyundai	R300, R300LC-9A, R320LC-3, R350LC-3, R330LC-9A, R350LC-3, R360LC-3
JCB	JS290, JS300, JS330, JS330L, JS330-LR, JS330LXD
John Deere	270, 300G LC, 330, 330CLC, 345G LC, 350DLC, 350GLC, 370, 380GLC, 792, 792D/E, 792D-LC, 982D/E, 982E-LC,
Kobelco	SK295LC, SK300-2/-3/-4, SK330LC, SK350LC, 380G LC, K912, K912-2, K914
Komatsu	PC280LC3, PC290LC-10, PC300-2/-3/-5, PC300LC, PC300-LC6, PC300LC-6 Advance, PC300LC-7, PC300LC-7L, PC300LC-10-3-5-6, PC308USLC-3, PC310 PC340LC-11, PC350, PC360, PC360LC-10, PC360LC-11, PC350, PC360-5, PC360LC3, PC365LC-5, PC390LC-10/-11, PC390LCi-11
Liebherr	R930, R934, R934B, R936, R938, R942, R942 Litro,
Link-Belt	3240RB, 3740RB, 3900Q, 4040RB, 4300Q, LS4300C, LS4300CII, LS4300, 300X4, 330LX, 350X2, 350X4
New Holland	EC350, EC350-LC
Sany	SY335C, SY365C
Terex	TXC300LC-1, TXC300LC-2, TXC340LC-1, TXC340LC-2
Volvo	EC300D, EC300E, EC305C, EC330BLC, EC330C, EC340D, EC350E, EC360BLC, EC360C, EC380D, EC380E, ECR355E

EXCAVATOR CLASS 30

WEIGHT CLASS 65,000 - 90,000 LBS

<u>Ditch Cleaning Bucket (Standard Capacity) c/w Reversible Bolt-On Edge</u>				
<u>Model #</u>	<u>Width</u>	<u>Cu.Yds</u>		<u>List Price</u>
30DC-60	60"	2.125		\$15,255.00
30DC-66	66"	2.375		\$15,786.00
30DC-72	72"	2.5		\$16,306.00
<u>Hydraulic Tilt Ditch Cleaning Buckets (c/w Reversible Bolt-On Edge)</u>				
<u>Model #</u>	<u>Width</u>	<u>Cu.Yds</u>		<u>List Price</u>
30HTD-66	66"	1.75		\$29,011.00
30HTD-72	72"	1.875		\$29,773.00
30HTD-84	84"	2.25		\$31,398.00
<u>Heavy Duty Tooth Bucket</u>				
<u>Model #</u>	<u>Width</u>	<u>Cu.Yds</u>	<u>Teeth</u>	<u>List Price</u>
30HD-36	36"	1.5	4	\$16,763.00
30HD-42	42"	1.75	4	\$18,215.00
30HD-48	48"	2	5	\$19,253.00
30HD-54	54"	2.38	5	\$20,151.00
30HD-60	60"	2.62	6	\$21,167.00
<u>Heavy Duty Pin Grabber Tooth Buckets</u>				
<u>Model #</u>	<u>Width</u>	<u>Cu.Yds</u>	<u>Teeth</u>	<u>List Price</u>
30HDPG-36	36"	1.5	4	\$18,467.00
30HDPG-42	42"	1.75	4	\$19,928.00
30HDPG-48	48"	2	5	\$20,966.00
30HDPG-54	54"	2.38	5	\$21,864.00
pin grabber buckets are pin grab compatible only				
<u>Extreme Duty Rock Buckets</u>				
<u>Model #</u>	<u>Width</u>	<u>Cu.Yds</u>	<u>Teeth</u>	<u>List Price</u>
30EDR-36	36"	1.43	4	POR
30EDR-42	42"	1.75	4	POR
30EDR-48	48"	02.06	5	\$40,141.00
30EDR-54	54"	2.38	5	\$41,537.00
<u>Frost Ripper</u>				
<u>Model #</u>	<u>Description</u>			<u>List Price</u>
30FR-60	Single Tooth 60" Penetration			\$11,987.00
<u>Skeleton Buckets</u>				
<u>Model #</u>	<u>Width</u>	<u>Cu.Yds</u>	<u>Teeth</u>	<u>List Price</u>
30SK-48	48"	2	5	\$20,007.00
30SK-54	54"	2.38	5	\$20,497.00

EXCAVATOR CLASS 30 WEIGHT CLASS 65,000 - 90,000 LBS

<u>Root Rake</u>			
<u>Model #</u>	<u>Width</u>	<u>Tines</u>	<u>List Price</u>
30RR-72	72"	7	\$23,084.00
<u>Hybrid Rakes</u>			
<u>Model #</u>	<u>Width</u>	<u>Tines</u>	<u>List Price</u>
30HR-72	72"	7	\$24,443.00
<u>Bucket Pins</u>			
<u>Part #</u>	<u>Description</u>		<u>List Price</u>
30BP	Set of Bucket Pins		\$1,205.00
<u>Thumbs</u>			
<u>Model #</u>	<u>Description</u>	<u>Tines</u>	<u>List Price</u>
30HWO-2T	Hydraulic Weld-On	2	\$18,350.00
30HWO-4T	Hydraulic Weld-On	4	\$19,002.00
30HSP-2T	Hydraulic Stick Pivot	2	\$18,350.00
30HSP-4T	Hydraulic Stick Pivot	4	\$19,002.00
30MWO-4T	Mechanical Weld-On	4	\$19,7352.00
30PLT-2T	Progressive Link Thumb	2	POR
30PLT-4T	Progressive Link Thumb	4	POR
<u>Couplers</u>			
<u>Model #</u>	<u>Description</u>		<u>List Price</u>
30MWC	Mechanical Wedge Coupler		\$7,028.00
HMI-320	Mechanical Pin Grab Coupler		\$15,399.00
CMI-320	Hydraulic Pin Grab Coupler (Install Kit Included)		\$21,506.00
<u>Top Mount</u>			
<u>Model #</u>	<u>Description</u>		<u>List Price</u>
30TM	Hammer/Compactor Mount		\$4,348.00
<u>Blank Lugs</u>			
<u>Model #</u>	<u>Description</u>		<u>List Price</u>
30BLW	Class 30 Blank Wedge Coupler Lugs		\$4,376.00 /set
30BLP	Class 30 Blank Pin-On Lugs		\$4,074.00 /set
<u>Grapples</u>			
<u>Model #</u>	<u>Description</u>		<u>List Price</u>
30EG23	2 over 3 tine Demolition Grapple		POR
30EG34	3 over 4 tine Demolition Grapple		POR

Price Subject To Change Without Notice!

EXCAVATOR CLASS 30 WEIGHT CLASS 65,000 - 90,000 LBS

<u>Chuck Blades</u>		
<u>Model #</u>	<u>Description</u>	<u>List Price</u>
30CB-84	No Tilt - 50" High x 84" Wide	POR
30HCB-84	Hydraulic Tilt - 50" High x 84" Wide	POR
<u>Trapezoid Bucket</u>		
<u>Model #</u>	<u>Description</u>	<u>List Price</u>
30TB-2484	24" Bottom, 84" Top c/w Bolt-On Cutting Edge	POR
30TB-2484-3T	24" Bottom, 84" Top c/w 3 Teeth	POR
30TB-3284	32" Bottom, 84" Top c/w Bolt-On Cutting Edge	POR
30TB-3284-3T	32" Bottom, 84" Top c/w 3 Teeth	POR
<u>Concrete Pulverizer</u>		
<u>Model #</u>	<u>Description</u>	<u>List Price</u>
30CP-34	3 Over 4 Jaw Configuration	POR
30CP-45	4 Over 5 Jaw Configuration	POR

EXCAVATOR CLASS 40

WEIGHT CLASS 90,000 - 115,000 LBS

Case	9060, 9060B, 220B, CX460, CX470B, CX470C
Caterpillar	231, 231D, 235, 235B/C/D, 330E, 330ME, 345DL, 345L, 349, 349E, 349F, 352, 352F
Daewoo / Doosan	S400LC-3, Solar420LCV, DH450-3, Solar 450-3, DX420LC, DX420LC-3, DX480LC, DX490LC-3/-5, DX520
Hitachi	EX400, EX400LC, Zaxis450LC F-S, EX450, Z400R-3, ZX400LCH-3, ZX470LC-5, ZX470LC-6
Hyundai	R420, R450, R450LC-3, R450LC-3 M/E, R480LC-9
JCB	JS360, JS450, JS460
John Deere	450, 450D LC, 470G LC, 890A, 990, 992D-E, 992E LC
Kobelco	SK400-2/-3/-4, SK400ME-4, SK485LC, SK500LC, K916, K916-2
Komatsu	PC300HD-7L, PC300HD-6/-7, PC300HD-6MH Advance, PC400-1/-3/-5, PC400-LC6, PC400LC-6 Advance, PC400HD-6, PC400LC-7L, PC300, PC410, PC450, PC490LC-10, PC490LC-11, PC490LCi-11
Liebherr	R944, R945, R952, R952 Litro, R954, R954B, R954 Litro, R962, R964
Link-belt	4640RB, 5040RB, LS4800CII, 5800Q, LS5800CII, LS5800A, 460LX, 490X4
New Holland	EC400-LC
Sany	SY465C
Terex	TXC 420LC-1, TXC420LC-2, TXC470LC-1, TXC480LC-2, TC520
Volvo	EC420, EC450, EC460, EC460C, EC480D, EC480E

EXCAVATOR CLASS 40

WEIGHT CLASS 90,000 - 115,000 LBS

<u>Ditch Cleaning Buckets (Standard Capacity) c/w Reversible Bolt-On Edge</u>				<u>List Price</u>
<u>Model #</u>	<u>Width</u>	<u>CU. Yard</u>		
40DC-72	72"	3.00		\$22,001.00
40DC-78	78"	3.13		\$22,709.00
40DC-84	84"	3.50		\$23,521.00
<u>Hydraulic Tilt Ditching Buckets (c/w Reversible Bolt-On Edge)</u>				<u>List Price</u>
<u>Model #</u>	<u>Width</u>	<u>CU.Yard</u>		
40HTD-72	72"	2.38		\$37,818.00
40HTD-78	78"	2.63		\$38,925.00
40HTD-84	84"	2.88		\$40,532.00
<u>Heavy Duty Tooth Buckets</u>				<u>List Price</u>
<u>Model #</u>	<u>Width</u>	<u>CU. Yard</u>	<u>Teeth</u>	
40HD-30	30"	1.31	4	\$19,421.00
40HD-36	36"	1.70	4	\$20,040.00
40HD-42	42"	02.06	4	\$20,880.00
40HD-48	48"	2.45	5	\$21,911.00
40HD-54	54"	2.81	5	\$22,426.00
40HD-60	60"	3.20	6	\$23,597.00
<u>Heavy Duty Pin Grabber Tooth Buckets</u>				<u>List Price</u>
<u>Model #</u>	<u>Width</u>	<u>CU. Yard</u>	<u>Teeth</u>	
40HDPG-36	36"	1.70	4	\$22,002.00
40HDPG-42	42"	02.06	4	\$22,842.00
40HDPG-48	48"	2.45	5	\$23,873.00
40HDPG-54	54"	2.81	5	\$24,388.00
40HDPG-60	60"	3.20	6	\$25,559.00
pin grabber buckets are pin grab compatible only				
<u>Extreme Duty Rock Buckets</u>				<u>List Price</u>
<u>Model #</u>	<u>Width</u>	<u>Cu.Yds</u>	<u>Teeth</u>	
40EDR-48	48"	2.45	5	POR
40EDR-54	54"	2.81	5	POR
40EDR-60	60"	3.20	6	POR
<u>Frost Ripper</u>				<u>List Price</u>
<u>Model #</u>	<u>Description</u>			
40FR-68	Single Tooth 68" Penetration			\$17,330.00
<u>Skeleton Buckets</u>				<u>List Price</u>
<u>Model #</u>	<u>Width</u>	<u>CU.Yard</u>	<u>Teeth</u>	
40SK-60	60"	3.20	6	POR
40SK-72	72"	3.63	7	POR
40SK-78	78"	4.00	7	POR

EXCAVATOR CLASS 40 WEIGHT CLASS 90,000 - 115,000 LBS

<u>Root Rakes</u>			
<u>Model #</u>	<u>Width</u>	<u>Tines</u>	<u>List Price</u>
40RR-84	84"	8	\$36,009.00
<u>Hybrid Rakes</u>			
<u>Model #</u>	<u>Width</u>	<u>Tines</u>	<u>List Price</u>
40HR-84	84"	8	\$37,499.00
<u>Thumbs</u>			
<u>Model #</u>	<u>Description</u>	<u>Tines</u>	<u>List Price</u>
40HWO-2T	Hydraulic Weld-On	2	\$21,364.00
40HWO-4T	Hydraulic Weld-On	4	\$21,858.00
40HSP-2T	Hydraulic Stick Pivot	2	\$21,364.00
40HSP-4T	Hydraulic Stick Pivot	4	\$21,858.00
40MWO-4T	Mechanical Weld-On	4	\$21,137.00
40PLT-2T	Progressive Link Thumb	2	POR
40PLT-4T	Progressive Link Thumb	4	POR
<u>Bucket Pins</u>			
<u>Part #</u>	<u>Description</u>		<u>List Price</u>
40BP	Bucket Pins - Set of 2		\$1,499.00
<u>Couplers</u>			
All couplers come with 1 set of pins			
<u>Model #</u>	<u>Description</u>		<u>List Price</u>
40MWC	Mechanical Wedge Coupler		\$8,523.00
HMI-450	Mechanical Pin Grab Coupler		\$20,619.00
CMI-450	Hydraulic Pin Grab Coupler (Install Kit Included)		\$27,991.00
<u>Top Mount</u>			
<u>Model #</u>	<u>Description</u>		<u>List Price</u>
40TM	Hammer/Compactor Mount		\$6,118.00
<u>Blank Lugs</u>			
<u>Model #</u>	<u>Description</u>		<u>List Price</u>
40BLW	Class 40 Blank Wedge Coupler Lugs		\$6,882.00/set
40BLP	Class 40 Blank Pin-On Lugs		\$6,105.00/set
<u>Grapples</u>			
<u>Model #</u>	<u>Description</u>		<u>List Price</u>
40EG23	2 over 3 tine Demolition Grapple		POR
40EG34	3 over 4 tine Demolition Grapple		POR

EXCAVATOR CLASS 40 WEIGHT CLASS 90,000 - 115,000 LBS

<u>Chuck Blades</u>		
<u>Model #</u>	<u>Description</u>	<u>List Price</u>
40CB-120	No Tilt - 60" High x 120" Wide	POR
40HCB-120	Hydraulic Tilt - 60" High x 120" Wide	POR
<u>Trapezoid Bucket</u>		
<u>Model #</u>	<u>Description</u>	<u>List Price</u>
40TB-2484	24" Bottom, 84" Top c/w Bolt-On Cutting Edge	\$25,455.00
<u>Concrete Pulverizer</u>		
<u>Model #</u>	<u>Description</u>	<u>List Price</u>
40CP-34	3 Over 4 Jaw Configuration	POR
40CP-45	4 Over 5 Jaw Configuration	POR



EXCAVATOR Class List By Model

EXCAVATOR CLASS GUIDE:

Class	Weight	Class	Weight
Class 1.5	1,500 - 3,000 lb	Class 13	24,000 - 33,000 lb
Class 2	3,000 - 6,000 lb	Class 15	33,000 - 45,000 lb
Class 3	6,000 - 10,000 lb	Class 20	45,000 - 55,000 lb
Class 5	10,000 - 12,000 lb	Class 25	55,000 - 65,000 lb
Class 6	12,000 - 14,000 lb	Class 30	65,000 - 90,000 lb
Class 8	14,000 - 24,000 lb	Class 40	90,000 - 115,000 lb

Atlas

Model	Class	Model	Class
1622 D	15	140 W	15
1604 LC	15	140 W BF	15
1704 LC	15	150 W	15
160 LC	15	160 W	15
170 LC	15	160 WSR	15
185 LC SR	15	165 WSR	15
190 LC	15	175 WSR	15
215 LC SR	20	180 WSR	20
225 LC	20	190 W	20
260 LC	25	220 W	20
340 LC	30		

Bobcat

Model	Class	Model	Class
316	1.5	334D	3
320	2	337-D	5
323	2	341-D	5
324	2	911C	3
325	2	E10	1.5
335	3	E20	2
418	1.5	E26M	3
425	3	E32	3
430	3	E35M	3
435	5	E42M	3
442	8	E45M	5
709	3	E50M	5
811	3	E55M	5
8709	3	E60	6
238D	3	E63	6
322D	2	E80	8
325D	3	E85	8
331D	3		



EXCAVATOR Class List By Model

Case			
Model	Class	Model	Class
125	30	880E	13
220B	40	888	13
310A	5	920	15
688	13	980B	15
880	13	1080	20
880B	13	1080B	20
880C	13	1088	20
880D	13		
1085B	13	CX75 MSP	8
1085C	13	CX75C SR	8
1280	20	CX80	8
1280B	20	CX80C	8
1285	20	CX130B	13
1288	25	CX130C	13
9010	13	CX130D	13
9010B	13	CX135	13
9020B	15	CX135 MSR	13
9030	20	CX145C SR	13
9030B	20	CX145D SR	13
9040	25	CX160	15
9040B	25	CX160C	15
9045B	30	CX160D	15
9050	30	CX210	20
9050B	30	CX210C	20
9060	40	CX210D	20
9060B	40	CX210-LR	20
CX14	2	CX225	25
CX17B	2	CX235C SR	25
CX18B	2	CX240B	25
CX21	3	CX240-LR	25
CX25	2	CX245D SR	25
CX26C	2	CX250C	25
CX27B	3	CX250D	25
CX30C	3	CX290B	25
CX31	3	CX300C	25
CX36B	3	CX300D	30
CX37C	3	CX330	30
CX47	5	CX350B	30
CX50B	5	CX350C	30
CX55B	5	CX350D	30
CX57C	5	CX460	40
CX60C	6	CX470B	40
CX75	8	CX470C	40



EXCAVATOR Class List By Model

Cat	
Model	Class
205	13
205 LC	13
206	13
206B	13
211	13
211 LC	13
212	13
212B	13
213	13
213 LC	15
213B LC	15
214	13
229D	25
231D	40
235	40
235B	40
235C	40
235D	40
244B	20
300.9	1.5
300.9D	1.5
301.4C	2
301.5	2
301.5C	2
301.6C	2
301.7 CR	2
301.7D	2
301.7D CR	2
301.8	2
301.8C	2
302 CR	2
302.2D	2
302.4D	2
302.5C	3
302.7	3
302.7D	3
302.7D CR	3
303 CR	3
303C CR	3
303E CR	3
303.5D CR	3
303.5E CR	3
303.5E2 CR	3
303C CR	3
304D CR	5
214B	15
215	20
215B	15
215B LC	13
215C LC	13
215D LC	20
219	20
219C	20
224	20
225	25
225D	25
229	25
311F RD	13
312	13
312C L	13
312D	13
312E	13
313	13
313F GC	13
313F L	13
313F LGC	13
314C LCR	13
314D CR	13
314E CR	13
315	15
315C L	15
315DL	15
315F L	15
315 GC	15
316E	15
316F L	15
317	15
317 GC	15
318E	15
318C L	20
318F L	15
319DL	20
320	20
320B	20
320CL	20
320DL	20
320DL CR	20
320EL	20
320EL RR	20
320 GC	20



EXCAVATOR Class List By Model

Cat continued...

Model	Class
304E CR	3
304E2 CR	3
304.5	5
305 CR	5
305C CR	5
305D CR	5
305E CR	5
305E2 CR	5
305.5D CR	5
305.5E CR	5
305.5E2 CR	5
306 CR	8
307C	8
307C SB	8
307D	8
307.5	8
308 CR	8
308C CR	8
308 CR VAB	8
308D CR	8
308E CR	8
308E2 CR	8
309	8
309 CR	8
309 CR VAB	8
310	8
311	13
311C U	13
311DL	13
311F L RR	13
330D	30
330E	40
330 GC	30
330ME	40
335	30
335F L	30
335FL LR	30
336	30
336DL	30
336EH	30
336EL	30
336F	30

Model	Class
320L	20
320N	20
321C LCR	20
321DL CR	20
322CL	20
322N	20
322S	20
323	20
323D	20
323E	20
323F L	20
323 LRR	20
324E	25
325	20
325 L	25
325B	25
325C	25
325C L	25
325D	25
325F	20
325FL	20
325FL CR	20
326	25
326F	25
328D LCR	30
328DL	25
328DL CR	30
329E	30
330	30
330C L	30
349F	40
352	40
352F	40
392 FL	25
E70B	8
E110B	13
E120B	13
E180B	20
E200B	20
E240B	25
E300	30
M312	13



EXCAVATOR Class List By Model

Cat continued...

Model	Class
336 GC	30
345DL	40
345L LL	40
349	40
349E	40

Model	Class
M315	15
M316C	15
M318	15
M318C	20

Coyote

Model	Class
CE35	3

Model	Class
-------	-------

Daewoo

Model	Class
DH040	5
DH30	2
DH50W	5
DH80W	8
DH110	13
DH120	13
DH120W	13
DH130	13
DH130-2	13
DH130W	13
DH170	15
DH170-2	15
DH180	20
DH180LC	20
DH200LC	20
DH220W	20
DH280	25
DH320	30
DH450-3	40
DL200	13
DL250	13
DX27Z	3
DX30Z	3
DX35Z	3
DX35-5	3
DX42	3
DX50	3
DX52	3
DX55	5
DX55W	5

Model	Class
DX62R-3	6
DX63-3	6
DX80R	8
DX85R-3	8
DX140LC	13
DX140LC-3	13
DX140LC-5	13
DX140LCR	13
DX140LCR-3	13
DX140LCR-5	13
DX140W-3	13
DX140W-5	15
DX170LC-5	15
DX180LC	15
DX180LC-3	15
DX180LC-5	15
DX190	13
DX190W	20
DX190W-3	20
DX190W-5	15
DX210W	20
DX210W-5	20
DX225LC	25
DX225LC-3	25
DX225LC-5	25
DX235LCR	25
DX300LC	30
DX300LC-5	30
DX350LC-5	30
DX420LC	40



EXCAVATOR Class List By Model

Daewoo continued...

Model	Class
DX420LC-3	40
DX420LC-3	40
DX480LC	40
DX490LC-3	40
DX490LC-5	40
PZ45	6
S130-3	13
S130W-3	13
S170W-3	15
S200W-3	20
S220LC-3	20
S280LC-3	25
S400LC-3	40
Solar 10	1.5
Solar 15	2
Solar 30	3
Solar 35	3
Solar 50	5
Solar 55-V	5
Solar 55-V Plus	6
Solar 70-3	8
Solar 70-U	8
Solar 75-V	8
Solar 130-30	13

Model	Class
Solar 130-50	13
Solar 130LC-V	13
Solar 130W	13
Solar 130W-3	13
Solar 140LC-U	13
Solar 140W-V	13
Solar 170W	15
Solar 175LC-V	15
Solar 180W-V	15
Solar 200-3	20
Solar 200W-3	15
Solar 210W-V	20
Solar 220LC-3 SLR	13
Solar 220LC-5 SLR	13
Solar 225LC-V	25
Solar 280-3	25
Solar 290-5	25
Solar 300LC-V	30
Solar 320-3	30
Solar 330-3	30
Solar 340LC-V	30
Solar 400-3	30
Solar 420LC-V	40
Solar 450-3	40

Doosan

Model	Class
DX27Z	3
DX30Z	3
DX35Z	3

Model	Class
DX60R	6
DX63-3	6

Gehl

Model	Class
153	2
193	2
223	2
225	2
283	2
603	6
503Z	5
753Z	8
802	8
803	8

Model	Class
GE373	3
GE502	5
GE602	6
GE652	6
MB445M	3
M100	8
Z17	2
Z25	3
Z27	3
Z35	3



EXCAVATOR Class List By Model

Gehl continued...

Model	Class	Model	Class
1202	8	Z45	5
5032	5	Z55	6
GE303	3	Z80	8
GE353	3		

Gradall

Model	Class	Model	Class
XL3200 V	15	XL3300 V	15
XL4200 V	20	XL4300 V	15
XL5200 V	20	XL5300 V	20

Hitachi

Model	Class	Model	Class
274	3	UH101	25
354	3	UH103	25
EX30	3	UH121	25
EX60	6	UH121LC	30
EX60WD	8	UH122	25
EX90	8	UH122LC	30
EX100	8	UH123	25
EX100WD	8	UH143	30
EX120	13	WH051D	8
EX150	15	WH073	15
EX160	15	Z400R-3	40
EX160W	15	ZAX15	3
EX200	20	ZAXIS27U	3
EX200LC	20	ZAXIS35U	3
EX220	20	ZAXIS50U	5
EX220L	20	ZAXIS80	8
EX270	25	ZAXIS120	13
EX270LC	25	ZAXIS135US	13
EX300	30	ZAXIS160LC	15
EX300LC	30	ZAXIS225USLC	20
EX330	30	ZAXIS230LC	25
EX400	40	ZAXIS270LC	25
EX400LC	40	ZAXIS330LC	30
EX450	40	ZAXIS450LC F-S	40
FH220	25	ZX8-2	1.5
UE10	1.5	ZX10U-2	2
UE30	3	ZX17U-2	2
UE40	3	ZX17U-3	2
UE50	6	ZX17U-5	2



EXCAVATOR Class List By Model

Hitachi continued...

Model	Class	Model	Class
UH031	8	ZX20U-5	2
UH033	8	ZX26U-5	2
UH043	8	ZX30U-5	3
UH051D	8	ZX35U-5	3
UH052	13	ZX40U-2	5
UH052M	13	ZX50U-2	5
UH053	13	ZX50U-3	5
UH062	13	ZX50U-5	5
UH063	13	ZX60USB-3	6
UH071	15	ZX60USB-5	6
UH073	15	ZX70	8
UH081	20	ZX75US-3	8
UH082	20	ZX75US-5	8
UH083	20	ZX75US-A	8
ZX85USB-3	8	ZX220W-3	20
ZX85USB-5	8	ZX225US-3	20
ZX120-3	13	ZX225USLC-3	20
ZX130-5	13	ZX240-3	25
ZX130-6	13	ZX245USLC-5	20
ZX135US-3	13	ZX245USLC-6	25
ZX135US-6	13	ZX250LC-5	25
ZX160LC-3	15	ZX250LC-6	25
ZX160LC-5	15	ZX270-3	25
ZX160LC-6	15	ZX290LC-5	25
ZX180LC-3	20	ZX300LC-6	25
ZX180LC-5	20	ZX330-3	30
ZX180LC-6	20	ZX345USLC-6	30
ZX190W-3	20	ZX350LC-5	30
ZX190W-6	20	ZX350LC-6	30
ZX200-3	20	ZX380LC-5	30
ZX200LC-3	20	ZX380LC-6	30
ZX210-5	20	ZX400LCH-3	40
ZX210-6	20	ZX470LC-5	40
ZX210LC-5	20	ZX470LC-6	40
ZX210LC-6	20		

Hyundai

Model	Class	Model	Class
HW140	13	R35-7	3
HW180	15	R28-7	3
HW210	20	R27Z-9	3
HW250MH	15	R35Z-9	3
HX85A	8	R35Z-9A	3



EXCAVATOR Class List By Model

Hyundai continued...

Model	Class	Model	Class
HX130LCR	13	R55-7	5
HX140L	13	R55-9	5
HX140LC	15	R55W-7	5
HX145LCR	15	R55W-9	5
HX160L	15	R55W-9A	5
HX180L	15	R60CR-9	6
HX210A L	20	R60CR-9A	6
HX220L	20	R80-7R	8
HX220A L	20	R80CR-9	8
HX220LR	20	R80CR-9A	8
HX235A LCR	20	R180LC-3	20
HX235LCR	20	R180LC-9	20
HX260L	25	R200LC-2	20
HX260A L	25	R200W-3	20
HX300L	30	R210LC-1	20
HX300A L	30	R210LC-2	20
HX330L	30	R210LC-3	20
HX330LR	30	R210LC-7	20
HX350A L	30	R210LC-9	20
HX380L	30	R210W-9	20
HX380A L	30	R235LC-3	20
HX480A L	40	R235LC-9	20
HX480L	40	R235LCR-7	20
R130-3	13	R250LC-3	20
R130LC-3	13	R250LC-9	25
R130LC-3	13	R260LC-9A	25
R130LCD-3	13	R280	25
R130W	13	R290	25
R130W-3	13	R290LC-3	25
R140LC-7	13	R290LC-7	25
R140LC-9	13	R290LC-9	25
R140W-9	13	R300	30
R145LCR-9	13	R300LC-9A	30
R160LC-3	15	R320LC-3	30
R160LC-9	15	R330LC-9A	30
R160LCD-3	15	R350LC-3	30
R170W-3	15	R360LC-3	30
R180-3	15	R420	40
R15-7	2	R450	40
R16-9	2	R450LC-3	40
R17Z-9A	2	R450LC-3 E	40
R25Z	2	R450LC-3 M	40
R25Z-9AK	2	R480LC-9	40
R30Z-9AK	3		



EXCAVATOR Class List By Model

JCB

Model	Class
18Z-1	2
19C-IE	2
19C-1	2
45Z-1	3
48Z-1	5
55Z-1	5
85Z-1	8
86C-1	8
90Z-1	8
100C-1	8
131X	13
150X	15
200X	20
801	2
803	3
803 PLUS	3
804 SUPER	3
805BT	13
806C	13
807C	20
811	13
812	13
814	13
814 SUPER	13
817	20
818	20
818 SUPER	20
820 SUPER	25
8008 CTS	1.5
8014	2
8015	2
8016	2
8017	2
8018	2
8018 CTS	2
8019	2
8025	3
8027Z	3
8030Z	3
8035Z	3
8040	5

Model	Class
8040 ZTS	5
8045	5
8045 ZTS	5
8052	5
8055	5
8055 RTS	5
8060	6
8065	8
8065 RTS	6
8080 ZTS	8
8085	8
8085 ZTS	8
JS70	8
JS110	13
JS115	13
JS130	13
JS145	13
JS150	15
JS160	15
JS160NLC	15
JS180	20
JS190	15
JS200	20
JS220	20
JS240	25
JS260L	25
JS260LXD	25
JS290	30
JS300	30
JS330	30
JS330L	30
JS330-LR	30
JS330LXD	30
JS360	40
JS370	30
JS450	40
JS460	40
JS2600-LR	25
JZ70	8
JZ141	15



EXCAVATOR Class List By Model

John Deere

Model	Class	Model	Class
10A	2	50D	5
17D	2	50G	5
17G	2	50CZTS	5
17 ZTS	2	60D	6
25	3	60G	6

John Deere continued...

Model	Class	Model	Class
26G	3	70	8
27C-ZTS	3	70B	8
30G	3	75C	8
35C-ZTS	3	75D	8
35D	3	75G	8
35G	3	80	8
80C	8	290G-LC	25
85D	8	300G LC	30
85G	8	330	30
110	13	330C-LC	30
120	13	345G LC	30
120C	13	350D-LC	30
120D	13	350G-LC	30
130G	13	370	30
135C	13	380G-LC	30
135C-RTS	13	450	40
135D	13	450D-LC	40
135G	13	450G-LC	40
160	15	470G LC	40
160G LC	15	490	13
160LC	15	490D	13
180C	15	490E	13
180C WHEELED	15	495D	13
180G-LC	20	590D	15
190D	20	595D	15
190D-W	20	690B	20
190E	8	690C	20
190G	20	690D	20
190G-W	15	690E	20
200	20	790	25
200D-LC	20	790D	25
200G	20	790E	25
200D-LC	20	790E-LC	25
210G-LC	20	792D	30
220D-W	20	792E	30
225D-LC	20	792D-LC	30



EXCAVATOR Class List By Model

John Deere continued...

Model	Class
230	25
230G-W	20
240D-LC	25
245G-LC	25
250G LC	25
270	30
270C-LC	25
270D-LC	25

Model	Class
890A	40
892D	30
892E	30
982E-LC	30
990	40
992E-LC	40
AA	2

Kobelco

Model	Class
13SR	2
25SR-2	2
30SR-2	3
35SR	3
35SR-2	3
45SR-2	5
50SR	5
50SR-3	5
60-3	8
60-4	8
70SR	8
80CS	8
80SR	8
K904C	8
K904D	8
K904DL	13
K905-2	13
K907	20
K907-2	20
K907C	20
K907CL	20
K909	25
K909-2	25
K909A	25
K912	30
K912-2	30
K914	30
K916	40
K916-2	40
SK007	1.5
SK014	2
SK015	2

Model	Class
140SR	13
200SR-LC	20
215SR	20
235SR-LC	20
ED150	13
ED160	13
ED160BR	15
ED180	15
ED190	20
ED195 BLADE RUN	20
K903-2	8
K903A	8
K904-2	8
SK120-3	13
SK120-4	13
SK130-4	13
SK130LC	13
SK135-4	13
SK140SR-LC	13
SK150 MARK IV	15
SK150-3	15
SK150-4	15
SK160LC	15
SK170	15
SK170LC	15
SK200 MARK IV	20
SK200-2	20
SK200-3	20
SK200-4	20
SK210-LC	20
SK210HLC	20
SK220 MARK IV	20



EXCAVATOR Class List By Model

Kobelco continued...

Model	Class	Model	Class
SK17SR	2	SK230SRLC	25
SK025	2	SK250-LC	25
SK25SR	2	SK260LC	25
SK027	3	SK260SR-LC	20
SK27R	3	SK270 MARK IV	25
SK30SR	3	SK270-4	25
SK032	3	SK270SRLC	25
SK035	3	SK290-LC	25
SK35SR	3	SK295-LC	30
SK042	3	SK300-2	25
SK045	5	SK300-3	25
SK45SRX	5	SK300-4	25
SK055	5	SK330-LC	30
SK55SRX	5	SK350-LC	30
SK60 MARK III	8	SK390LC	30
SK60 MARK IV	8	SK400-2	40
SK75SR	8	SK400-3	40
SK85CS	8	SK400-4	40
SK100 MARK III	8	SK400ME-4	40
SK100 MARK IV	8	SK485-LC	40
SK120 MARK IV	13	SK500-LC	40

Komatsu

Model	Class	Model	Class
138	13	PC15R-8E DELUXE	2
PC02-1	1.5	PC18MR-3	2
PC03-2	1.5	PC20-5	3
PC05-5	1.5	PC20-6	3
PC05-6	1.5	PC20MR-1	2
PC09-1	1.5	PC20MRX-1	2
PC10-5	2	PC27MR-1	3
PC10-6	2	PC27MR-3	3
PC15-2	2	PC27MRX-1	3
PC15MR-1	2	PC27R-8E	3
PC15MRX-1	2	PC27R-8E DELUXE	3
PC15R-8E	2	PC30-1	3
PC30-5	3	PC128US-2 GALEO	13
PC30-6	3	PC128US-2A	13
PC30MR-1	3	PC128UU	13



EXCAVATOR Class List By Model

Komatsu continued...

Model	Class	Model	Class
PC30MR-5	3	PC128UU-2	13
PC30MRX-1	3	PC128UU-2ADVANCE	13
PC35MR-1	3	PC130-8	13
PC35MR-2	3	PC130-11	13
PC35MR-3	3	PC138USLC-11	13
PC35MR-5	3	PC138USLC-10	13
PC35MRX-1	3	PC138USLC-11	15
PC35R-8E	3	PC150-1	15
PC35R-8E DELUXE	3	PC150-3	15
PC40-2	5	PC15-6	15
PC40-3	5	PC150-5	15
PC40-6	5	PC150LC-6	15
PC40-7	5	PC158USLC-2	15
PC40MR-2	5	PC160LC-7	15
PC45MR-1	5	PC160LC-8	15
PC45MR-3	5	PC170LC-10	15
PC45MR-5	5	PC170LC-11	15
PC45MRX-1	5	PC180	15
PC45R-8E	5	PC180-5	20
PC45R-8E DELUXE	5	PC200-2	20
PC50MR-2	5	PC200-3	20
PC55	5	PC200-5	20
PC55MR-3	5	PC200-6	20
PC55MR-5	5	PC200-7	20
PC58UU-3	5	PC200-7B	20
PC60-5	8	PC200LC-6	20
PC60-7	8	PC200LC-6ADVANCE	20
PC60-7B	8	PC200LC-7	20
PC75UU	8	PC200LC-7L	20
PC78US-6	8	PC200LC-8	20
PC78US-10	8	PC210	20
PC80	8	PC210-3	20
PC88	8	PC210-5	20
PC88MR-10P	8	PC210LC-10	20
PC88MR-3	8	PC210LC-11	20
PC88MR-8	8	PC210LC-6	20
PC88MR-10	8	PC210LCi-11	20
PC90	8	HB215LC-3	20
PC95	8	PC213LC-3	20
PC95R-2	8	PC220	20
PC100	8	PC228LC-7	20
PC100-3	8	PC228USLC-10	20
PC100-6	8	PC228USLC-3N	20
PC100F-6	13	PC228USLC-7	20
PC120-2	13	PC228USLC-8	20



EXCAVATOR Class List By Model

Komatsu continued...

Model	Class
PC120-3	13
PC120-5	13
PC120-6	13
PC120-6 ADVANCE	13
PC120LC-6	13
PC120LC-6ADVANCE	13
PC128US-2	13
PC250-6	25
PC250LC-6	25
PC270LC-6ADVANCE	25
PC280-3	25
PC280-3	25
PC280LC-3	30
PC290LC-10	30
PC290LC-11	30
PC300	40
PC300HD-6	40
PC300HD-6MH ADV	40
PC300HD-7	40
PC300HD-7L	40
PC300LC	30
PC300LC-3	30
PC300LC-5	30
PC300LC-6	30
PC300LC-7	30
PC300LC-10	30
PC300LC-6ADVANCE	30
PC300LC-7L	30
PC308USLC-3	30
PC310	30
PC340LC-11	30
PC350	30
PC360	30
PC360-5	30
PC360LC-3	30
PC360LC-10	30
PC360LC-11	30
PC360LCi-11	30

Model	Class
PC228UULC-1	20
PC238USLC-11	20
PC240-3	25
PC240-5	25
PC240LC-10	25
PC240LC-11	25
PC250	25
HB365LC-5	30
PC390LC-10	30
PC390LC-11	30
PC390LCi-11	30
PC400-1	40
PC400-3	40
PC400-5	40
PC400HD-6	40
PC400LC-6	40
PC400LC-6ADVANCE	40
PC400LC-7L	40
PC410	40
PC450	40
PC490LC-10	40
PC490LC-11	40
PC490LCi-11	40
PF55L	25
PW170	15
PW170-5	15
PW170ES-6	15
PW200-7	20
PX180-3	15
PC450	40
PC490LC-10	40
PC490LC-11	40
PF55L	25
PW170	15
PW170-5	15
PW170ES-6	15
PW200-7	20
PX180-3	15

Kubota

Model	Class
B20/BT75C	2
B21/BT75	2

Model	Class
KX057-4	5
KX080	8



EXCAVATOR Class List By Model

Kubota continued...

Model	Class
BL4572	2
BT900	3
K9060	3
KH040	5
KH28L	5
KH30	2
KH35	2
KH41	2
KH60	3
KH61	3
KH70	3
KH91	3
KH101	3
KH151	5
KH161	6
KX008-3	1.5
KX018-4	2
KX030	3
KX033	3
KX040	3
KX057	5

Model	Class
KX080-3	8
KX080-4	8
KX41	2
KX41-3	2
KX61	3
KX71	3
KX71-3	3
KX91-2	3
KX91-3	3
KX101	3
KX121-3	3
KX151	5
KX161-3	5
KX191	5
U15	2
U17	2
U25	2
U25S	2
U27	2
U35	3
U55	5

LBX (Link-Belt)

Model	Class
80	8
135 SPIN ACE	13
225	20
130LX	13
130 X4	13
145 X4 SPIN ACE	15
160LX	15
160 X4	15
210LX	20
210 X4	20
240LX	25
240LX LONG FRONT	25
245 X4 SPIN ACE	25
250 X4	25
290LX	25
300 X4	30
330LX	30
350X2	30
350 X4	30

Model	Class
3400Q	25
3740RB	30
3900Q	30
4040RB	30
4300Q	30
4640RB	40
5040RB	40
5800Q	40
LS-1600	8
LS-2650	13
LS-2650C	13
LS-2650CII	13
LS-3400CII	25
LS-2700CII	15
LS-2800	20
LS-3400	25
LS-3400A	25
LS-3400C	25
LS-3400CII	25



EXCAVATOR Class List By Model

LBX (Link-Belt) continued...

Model	Class
460LX	40
490 X4	40
2650Q	13
2700Q	15
2800Q	20
3240RB	30
3400LF-Q	25

Model	Class
LS-4300	30
LS-4300C	30
LS-4300CII	30
LS-4800CII	40
LS-5800A	40
LS-5800CII	40

Liebherr

Model	Class
900B	13
A308	8
A310	8
A310B	13
A312	13
A900 LITRO	13
A900C	13
A902	13
A902 LITRO	13
A904	15
A904	20
A910 Compact	13
A911	13
A912	13
A912 LITRO	15
A914	20
A914 Compact	15
A918	15
A918 Compact	15
A920	20
A922	20
A922 LITRO	20
A924	20
R308	8
R310	8
R310B	13
R312	13
R900 LITRO	13
R900C	13
R902	13
R902 LITRO	13
R911	13

Model	Class
R912	13
R912 LITRO	15
R914	20
R914 Compact	15
R918	20
R920 Compact	20
R921	20
R922	20
R924	20
R925	25
R926	25
R926 Compact	25
R928	25
R930	30
R932	25
R932 LITRO	25
R934	30
R934B	30
R936	30
R938	30
R945	40
R942	30
R942 LITRO	30
R944	40
R952	40
R952 LITRO	40
R954	40
R954 LITRO	40
R954B	40
R962	40
R964	40



EXCAVATOR Class List By Model

Mitsubishi

Model	Class	Model	Class
MS90	13	MS180-3	20
MS90-2	13	MS180-8	20
MS120-2	13	MS230	25
MS120-8	13	MS230-3	25
MS140	15	MS240	25

New Holland

Model	Class	Model	Class
E15	2	EC15	2
E17C	2	EC25	3
E18B	2	EC35	3
E18SR	2	EC45	5
E26C	2	EC110-LC	8
E27B	3	EC130	13
E27SR	3	EC130-LC	13
E30	3	EC160	15
E30C	3	EC160-LC	15
E33C	3	EC215	20
E35	3	EC215-LC	20
E35B	3	EC240	25
E37C	3	EC240-LC	25
E40	5	EC270	25
E50	5	EC270-LC	25
E55BX	5	EC350	30
E57C	5	EC350-LC	30
E60C	6	EC400-LC	40
E80	8	EH15	2
E135	13	EH50.B	5
E145	13	EH70	8
E150	15	EW160	25
E150 BLADE RUN	13	EW200	20
E175B	15	EW215	20
E18SR	2	MH2.6	8
E195B	15	MH3.6	8
E215B	20	TC-125	8
E245B	25		

Sany

Model	Class	Model	Class
SY16C	1.5	SY135C	13
SY26	2	SY140	13
SY26U	2	SY155U	15
SY35	3	SY205	20



EXCAVATOR Class List By Model

Sany continue...

Model	Class
SY35U	3
SY50U	5
SY60	6
SY60C	6
SY75	8
SY75C	8
SY80	8
SY95C	8

Model	Class
SY215	20
SY215C	20
SY225C	20
SY235	25
SY265C	25
SY335C	30
SY365C	30
SY465C	40

Samsung

Model	Class
SE130W	13
SE170W	15
SE200	20
SE200W	20
SE210LC	20

Model	Class
SE210LC-1	20
SE210LC-2	20
SE210LC-3	20
SE210W-2	20

Takeuchi

Model	Class
TB007	1.5
TB014	2
TB015	2
TB020	2
TB23R	2
TB025	2
TB28FR	3
TB035	3
TB108	1.5
TB125	3
TB135	3
TB138FR	3
TB145	5
TB153FR	5
TB175	13
TB180FR	8

Model	Class
TB210R	1.5
TB216	2
TB225	3
TB228	3
TB230	3
TB235	3
TB240	3
TB250	5
TB257	6
TB260	5
TB280FR	8
TB285	8
TB290	8
TB370	8
TB1140	13
TB2150	15

Terex

Model	Class
HML42	8
HR1.6	2

Model	Class
TC125	13
TC210	20



EXCAVATOR Class List By Model

Terex continued...

Model	Class
HR2.0	2
HR3.7	3
HR11	2
HR12	2
HR13	2
HR14	3
HR16	3
HR18	5
HR20	6
HR42	8
TC10	1.5
TC15	2
TC16	2
TC20	2
TC25	2
TC29	3
TC35	3
TC37	3
TC48	5
TC50	5
TC60	6
TC75	8

Model	Class
TC225 LC	20
TC260	25
TC520	40
TW70	6
TW85	8
TW110	8
TW150	15
TW180SR	15
TW190	20
TXC140LC-1	13
TXC175LC-1	15
TXC180LC-2	15
TXC225LC-1	25
TXC225LC-2	25
TXC300LC-1	30
TXC300LC-2	30
TXC340LC-1	30
TXC340LC-2	30
TXC420LC-1	40
TXC420LC-2	40
TXC470LC-1	40
TXC480LC-2	40

Thomas

Model	Class
T15	2
T15V	2
T25	2

Model	Class
T35	3
T45	3
T75	8

Vermeer

Model	Class
CX254	5

Model	Class
-------	-------

Volvo

Model	Class
EC15XR	2
EC15XTV	2
EC15XTJ	2
EC20C	2
EC20D	2
EC20E	2
EC20XTV	2

Model	Class
EC350E	30
EC360B-LC	30
EC360C	30
EC380D	30
EC380E	30
EC420	40
EC450	40



EXCAVATOR Class List By Model

Volvo continued...

Model	Class
EC25	3
EC27	3
EC27D	3
EC30	3
EC35C	3
EC35D	3
EC45	3
EC55	5
EC55C	6
EC58E-CR	6
EC60E	6
EC140E	13
EC160E	15
EC200	20
EC200E	20
EC210B-LC	20
EC210B-LR	20
EC210C	20
EC220D	20
EC220E	20
EC230	25
EC230B	25
EC235E	25
EC240B-LC	25
EC240B-LR	25
EC240C	25
EC250D	25
EC250E	25
EC290	25
EC290D	25
EC300D	25
EC300E	25
EC305C	25
EC330B-LC	30
EC330C	30
EC340D	30

Model	Class
EC460	40
EC460C	40
EC480D	40
EC480E	40
ECR18E	2
ECR25D	2
ECR28	3
ECR38	3
ECR40D	3
ECR48C	5
ECR50	5
ECR58	5
ECR58D	5
ECR88	8
ECR88D	8
ECR145E	13
ECR250	2
ECR235D	20
ECR235E	20
ECR355E	30
ET18	1.5
EW60E	5
EW160E	15
EW170E	15
EW180	20
EW180C	20
EW180D	20
EW180E	20
EW200	20
EW210C	20
EW210D	20
EW220E	20
EW230B	20
EW230C	25
EWR130E	13
EWR150E	15



EXCAVATOR Class List By Model

Wacker Neuson

Model	Class		Model	Class
803	1.5		ET20	2
1404	2		ET42	3
3503	3		ET65	6
6003	6		ET90	8
6503	8		ET145	15
8003	8		EW65	8
9503	8		EW100	8
28Z3	2		EZ17	2
38Z3	3		EZ26	3
50Z3	5		EZ36	3
ET16	2		EZ53	5

Yanmar

Model	Class		Model	Class
B12	1.5		ViO20-3	2
B17E	1.5		ViO25-6	3
B22	2		ViO27-5	3
B27	2		ViO35	3
B27-2B	3		ViO35-6	3
B37	3		ViO36	3
B37-2B	3		ViO45	5
B50	5		ViO45-5B	5
SV08-1A	1.5		ViO50	5
SV08-1D	1.5		ViO50-6A	5
SV40	3		ViO55	5
SV100	8		ViO55-5B	5
SV100-1	8		ViO55-6A	5
SV100-2A	8		ViO70	8
ViO15	2		ViO80	8
ViO17	2		ViO80-1A	8
ViO20	2		YB401-W	3

Wheel Loader Bucket Specs

Model	Width	Weight
50GP-100	78"	990 lbs
50GP-125	78"	
50GP-175	78"	
50LM-150	84"	
50LM-200	96"	
50LM-300	96"	
50HD-100	78"	
50HD-150	84"	
50HD-200	96"	
50HD-250	96"	
50FBG-150	90"	2130 lbs
100GP-150	90"	
100GP-175	90"	
100GP-200	96"	
100LM-275	96"	
100LM-350	96"	
100LM-400	108"	
100WC-400	108"	
100HD-200	96"	
100HD-250	96"	
100HD-300	96"	2990 lbs
125GP-200	99.35"	
125GP-225	99.35"	
125GP-250	99.35"	
125LM-300	96"	1900 lbs
125LM-350	108"	
125LM-400	108"	
125LM-500	108"	
125WC-500	108"	
125HD-300	96"	
125HD-350	108"	
125HD-400	108"	
125HD-500	108"	
125FGB-250	96"	
150GP-200	99.35"	
150GP-225	99.35"	
150GP-250	99.35"	

Wheel Loader Bucket Specs

Model	Width	Weight
150GP-300	99.35"	2430 lbs
150LM-300	108"	
150LM-350	108"	
150LM-400	108"	
150LM-450	108"	
150LM-500	108"	2575 lbs
150LM-600	120"	3050 lbs
150WC-600	120"	
150HD-400	99.35"	
150HD-500	99.35"	
150HD-550	107.31"	
150HD-600	107.31"	
150FGB-300	108"	
175GP-300	99.35"	
175GP-325	107.31"	
175GP-350	107.31"	
175GP-400	107.31"	
175LM-500	108"	
175LM-600	120"	
175WC-750	120"	
175HD-450	99.35"	
175HD-500	99.35"	
175HD-550	107.31"	
175HD-600	107.31"	
175HD-700	107.31"	
175FGB-350	108"	
200GP-350		
200GP-400		
200GP-425	113.62"	
200GP-450	113.62"	
200GP-475	113.62"	
200LM-600	120"	
200WC-1000	120"	
200HD-500		
200HD-600		
200HD-700		
200HD-800		
200FGB-400		

WHEEL LOADER CLASS 50

<u>1-1.5 Yard Loader</u>	
Case	21E/F, 121E/F, 221E/F, 321D/E/F
Caterpillar	906, 906H, 906M, 907, 907H, 907M, 908, 908H, 908M, IT12,
JCB	407ZX, 409ZX, 503-36, 530B-HL,
John Deere	204K/H/J/K/L, 244L, 304H, 304J, 324J/K/L
Kawasaki	42 ZV-2
Komatsu	WA70, WA75-3, WA95-A
New Holland	LW50, LW50B, LW50B TC, LW80, LW80B, W50C TC/ZB, W80C HS
SDLG	LGG918
Takeuchi	TW60
Terex	TL80, SKL834, SKS634
Volvo	L20, L20B, L20F, L20H, L25B, L25H, L30, L30B, L30G, L35, L35B, L35G
Wacker Neuson	5055, 8085, 8115L
Yanmar	V8, V10

WHEEL LOADER CLASS 50

<u>General Purpose Buckets (c/w Bolt-on Edge)</u>			
<u>Model #</u>	<u>CAP (CU.Yds)</u>		<u>List Price</u>
50GP-100	1.000		\$7,218.00
50GP-125	1.250		\$7,300.00
50GP-150	1.500		\$7,505.00
<u>G.E.T Options</u>			
<u>Part #</u>	<u>Description</u>		<u>List Price</u>
50GP-BOE	Bolt-on Cutting Edge		\$1,083.00
<u>Light Material Buckets (c/w Bolt-On Edge)</u>			
<u>Model #</u>	<u>CAP (CU.Yds)</u>	<u>Description</u>	<u>List Price</u>
50LM-150	1.500	Light Material/Snow Bucket	\$8,054.00
50LM-200	2.000	Light Material/Snow Bucket	\$8,345.00
50LM-300	3.000	Light Material/Snow Bucket	\$8,666.00
<u>High Dump Buckets (c/w Bolt-On Edge)</u>			
<u>Model #</u>	<u>CAP (CU.Yds)</u>		<u>List Price</u>
50HD-100	1.000		POR
50HD-150	1.500		POR
50HD-200	2.000		POR
50HD-250	2.500		POR
<u>Rig Mat Grapples</u>			
<u>Model #</u>	<u>Description</u>		<u>List Price</u>
50RMG-66	66" Wide Carriage 2"x6"x72" Tines 2 Heavy Duty Cylinders Mat Grapple Top Clamp		POR
<u>Pallet Forks (Shaft Type Tine)</u>			
<u>Model #</u>	<u>Width</u>		<u>List Price</u>
50PF-60	60"		\$7,018.00
<u>Tine Options (Price is Per Set of 2 Tines)</u>			
<u>Part #</u>	<u>Tine Description</u>		<u>List Price</u>
50FT175-5-48	1.75"x5"x48 Standard Taper		\$2,941.00
50FT175-5-54	1.75"x5"x54" Standard Taper		\$2,997.00
50FT175-5-60	1.75"x5"x60" Standard Taper		\$3,250.00
<u>Feedlot Grapple Bucket (c/w Bolt-On Edge)</u>			
<u>Model #</u>	<u>CAP (CU.Yds)</u>		<u>List Price</u>
50FGB-150	1.500		\$15,654.00
<u>Skeleton Bucket (c/w Weld-On Teeth)</u>			
<u>Model #</u>	<u>CAP (CU.Yds)</u>		<u>List Price</u>
50SK-125	1.250		POR

WHEEL LOADER CLASS 100

1.5-2 Yard Loader

Caterpillar	910, 910F, 910G, 910K, 914, 914G, 914K, 914M
Hyundia	HL720-3
JCB	411 HT
John Deere	344G, 344H, 344J, 344K, 344L
Kawasaki	45ZV-2, 50ZV,
Komatsu	WA100, WA120, WA120-3, WA150-5L,
New Holland	LW80 TC, LW90
SDLG	LG933L, LG938L,
Takeuchi	TW80
Terex	SKL854, TL120,
Volvo	L40, L45B, L45F, L45G, L45H, L50, L50G, L50F, L50H
Wacker Neuson	WL95
Yanmar	V12

WHEEL LOADER CLASS 100

<u>General Purpose Buckets (c/w Bolt-on Cutting Edge)</u>			<u>List Price</u>
<u>Model #</u>	<u>CAP (CU.Yds)</u>		
100GP-150	1.500		\$8,892.00
100GP-175	1.750		\$9,068.00
100GP-200	2.000		\$9,115.00
<u>G.E.T Options</u>			<u>List Price</u>
<u>Part #</u>		<u>Description</u>	
100GP-BOE		Bolt-On Cutting Edge	\$1,100.00
100GP-BOT		Bolt-On Teeth & Adapters	POR
100GP-BOS		Bolt-On Segments	POR
100GP-WOT		Weld-On Teeth & Adapters	POR
<u>Light Material Buckets (c/w Bolt-On Edge)</u>			<u>List Price</u>
<u>Model #</u>	<u>CAP (CU.Yds)</u>	<u>Description</u>	
100LM-275	2.750	Light Material/Snow Bucket	\$9,956.00
100LM-350	3.500	Light Material/Snow Bucket	\$10,372.00
100LM-400	4.000	Light Material/Snow Bucket	\$10,981.00
100WC-400	4.000	Woodchip Bucket	\$11,168.00
<u>High Dump Buckets (c/w Bolt-On Edge)</u>			<u>List Price</u>
<u>Model #</u>	<u>CAP (CU.Yds)</u>		
100HD-200	2.000		\$24,342.00
100HD-250	2.500		\$24,593.00
100HD-300	3.000		\$24,717.00
<u>Rig Mat Grapple</u>			<u>List Price</u>
<u>Model #</u>		<u>Description</u>	
100RMG-78		78" Wide Carriage 2"x6"x72" Tines 2 Heavy Duty Cylinders Mat Grapple Top Clamp	POR

WHEEL LOADER CLASS 100

<u>Pallet Forks (Shaft Type Tine)</u>		<u>List Price</u>
<u>Model #</u>	<u>Width</u>	
100PF-60	60"	\$7,148.00
<u>Tine Options (Price is Per Set of 2 Tines)</u>		<u>List Price</u>
<u>Part #</u>	<u>Tine Description</u>	
100FT2-6-48	2"x6"x48" Standard Taper	\$3,555.00
100FT2-6-54	2"x6"x54" Standard Taper	\$3,909.00
100FT2-6-60	2"x6"x60" Standard Taper	\$4,263.00
<u>Feedlot Grapple Bucket (c/w Bolt-On Edge)</u>		<u>List Price</u>
<u>Model #</u>	<u>CAP (CU.Yds)</u>	
100FGB-200	2.000	\$18,281.00
<u>Skeleton Bucket (c/w Weld-On Teeth)</u>		<u>List Price</u>
<u>Model #</u>	<u>CAP (CU.Yds)</u>	
100SK-150	1.500	\$18,373.00
100SK-175	1.750	\$19,210.00

Price Subject To Change Without Notice!

WHEEL LOADER CLASS 125

2-2.5 Yard Loader

Case	521D/E/F/G, 521D XT, 521E XT, 521F XT
Caterpillar	918, 918F, 918M, 920, 924G, 924GZ, 924H, 924HZ, IT18, IT24
Doosan/Daewoo	160, DL160
Hyundia	HL730XTD, HL730-3/TM, HL730-7/TM, HL730-9/TM, HL930A, HL930A XT
JCB	416, 416HT
John Deere	444G/H/J/K/L, TC44, TC444
Kawasaki	60ZV, 60ZV-2
Komatsu	WA180, WA180-3, WA200, WA200-5, WA200-6,
New Holland	W110, LW110, LW110B
SDLG	LG946L
Takeuchi	TW95
Terex	SKL634, TXL 200

WHEEL LOADER CLASS 125

<u>General Purpose Buckets (c/w Bolt-On Edge)</u>			
<u>Model #</u>	<u>CAP (CU.Yds)</u>		<u>List Price</u>
125GP-200	2.000		\$12,717.00
125GP-225	2.250		\$13,081.00
125GP-250	2.500		\$13,444.00
<u>G.E.T Options</u>			
<u>Part #</u>		<u>Description</u>	<u>List Price</u>
125GP-BOE		Bolt-On Cutting Edge	\$1,700.00
125GP-BOT		Bolt-On Teeth & Adapters	POR
125GP-BOS		Bolt-On Segments	POR
125GP-WOT		Weld-On Teeth & Adapters	POR
<u>Light Material Buckets (c/w Bolt-On Edge)</u>			
<u>Model #</u>	<u>CAP (CU.Yds)</u>		<u>List Price</u>
125LM-300	3.000	Light Material/Snow Bucket	\$10,731.00
125LM-350	3.500	Light Material/Snow Bucket	\$11,202.00
125LM-400	4.000	Light Material/Snow Bucket	\$11,689.00
125LM-500	5.000	Light Material/Snow Bucket	\$12,108.00
125WC-500	5.000	Wood Chip Bucket	\$12,294.00
<u>High Dump Buckets (c/w Bolt-On Edge)</u>			
<u>Model #</u>	<u>CAP (CU.Yds)</u>		<u>List Price</u>
125HD-300	3.000		\$24,838.00
125HD-350	3.500		\$25,492.00
125HD-400	4.000		\$25,834.00
125HD-500	5.000		\$26,765.00
<u>Rig Mat Grapple</u>			
<u>Model #</u>		<u>Description</u>	<u>List Price</u>
125RMG-78		78" Wide Carriage 2"x6"x60" Tines 2. Heavy Duty Cylinders Mat Grapple Top Clamp	POR
<u>Pallet Forks (Shaft Type Tine)</u>			
<u>Model #</u>	<u>Width</u>		<u>List Price</u>
125PF-72	72"		\$7,494.00
<u>Tine Options (Price is Per Set of 2 Tines)</u>			
<u>Part #</u>		<u>Description</u>	<u>List Price</u>
125FT-2-6-48		2"x6"x48" Tine Standard Taper	\$3,555.00
125FT-2-6-54		2"x6"x54" Tine Standard Taper	\$3,909.00
125FT-2-6-60		2"x6"x60" Tine Standard Taper	\$4,263.00
125FT-2-6-72		2"x6"x72" Tine Standard Taper	\$4,449.00

WHEEL LOADER CLASS 125

<u>Feedlot Grapple Bucket (c/w Bolt-On Edge)</u>		<u>List Price</u>
<u>Model #</u>	<u>CAP (CU.Yds)</u>	
125FGB-250	2.500	\$19,364.00
<u>Skeleton Bucket (c/w Weld-On Teeth)</u>		<u>List Price</u>
<u>Model #</u>	<u>CAP (CU.Yds)</u>	
125SK-200	2.000	POR
<u>Root Rakes</u>		<u>List Price</u>
<u>Model #</u>	<u>Tine Description</u>	
125RR-96	96" Wide. 13.5" Tine Spacing, 8 Tines	\$21,447.00
125RRH-96	96" Wide. 13.5" Tine Spacing, 8 Tines, Hydraulic Grapple	\$27,649.00

WHEEL LOADER CLASS 150

2.75-3 Yard Loader	
Atlas	L160
Case	621B/C/D/E/F/G, 621D XT, 621E XT, 621F XT
Caterpillar	926M, 928F, 928G, 928H, 930G, 930H, 930K, 930M, IT28G
Daewoo/Doosan	DL200, DL200-3/-5, DL200TC, DL200TC-3/-5, DL220-5
Hyundia	HL740-3/-7/-9, HL740TM-3, HL740TM-7, HL740TM-9, HL940, HL940XT, HL940A, HL940A TM, HL940A XT, HL940TM
JCB	426, 426B X2, 426HT, 427HT, 427ZX
John Deere	TC54H, 524K, 524L, 544G, 544H, 544J, 544K, 544L
Kawasaki	65TM, 65TM-2, 65ZV, 65ZV-2
Komatsu	WA250, WA250-3, WA250-5, WA250-6, WA270, WA270-3, WA270-7
New Holland	LW130, LW130TC, W130, W130B,
Liebherr	L526
Terex	7231, SKL260, SKL873, TXL250, TL260
SDLG	LG952H, LG953, LG953N
Volvo	L60E, L60F, L60G, L60H, L70C, L70D, L70E, L70F, L70G, L70H

WHEEL LOADER CLASS 150

General Purpose Buckets (c/w Bolt-On Edge)			
<u>Model #</u>	<u>CAP (CU.Yds)</u>		<u>List Price</u>
150GP-200	2.000		\$13,862.00
150GP-225	2.250		\$14,244.00
150GP-250	2.500		\$14,459.00
150GP-275	2.750		\$14,692.00
150GP-300	3.000		\$15,498.00
G.E.T Options			
<u>Part #</u>	<u>Description</u>		<u>List Price</u>
150GP-BOE	Bolt-On Cutting Edge		\$1,700.00
150GP-BOT	Bolt-On Teeth & Adapters		POR
150GP-BOS	Bolt-On Segments		POR
150GP-WOT	Weld-On Teeth & Adapters		POR
Light Material Buckets (c/w Bolt-On Edge)			
<u>Model #</u>	<u>CAP (CU.Yds)</u>	<u>Description</u>	<u>List Price</u>
150LM-300	3.000	Light Material/Snow bucket	\$12,041.00
150LM-350	3.500	Light Material/Snow bucket	\$12,227.00
150LM-400	4.000	Light Material/Snow bucket	\$12,658.00
150LM-450	4.500	Light Material/Snow bucket	\$13,226.00
150LM-500	5.000	Light Material/Snow bucket	\$13,501.00
150LM-600	6.000	Light Material/Snow bucket	\$13,980.00
150WC-600	6.000	Wood Chip Bucket	\$14,166.00
High Dump Buckets (c/w Bolt-On Edge)			
<u>Model #</u>	<u>CAP (CU.Yds)</u>		<u>List Price</u>
150HD-400	4.000		\$29,261.00
150HD-500	5.000		\$29,908.00
150HD-550	5.500		\$30,978.00
150HD-600	6.000		POR
Rig Mat Grapple			
<u>Model #</u>	<u>Description</u>		<u>List Price</u>
150RMG-96	96" Wide Carriage 2.5"x8"x72" Tines 2x Heavy Duty Cylinders - 4" Mat Grapple Top Clamp		POR
Pallet Forks (Shaft Type Tine)			
<u>Model #</u>	<u>Width</u>		<u>List Price</u>
150PF-72	72"		\$7,455.00
150PF-84	84"		\$7,530.00
150PF-96	96"		\$8,125.00
Tine Options (Price is Per Set of 2 Tines)			
<u>Part #</u>	<u>Description</u>		<u>List Price</u>
150FT-25-6-48	2.5"x6"x48" Standard Taper		\$4,535.00
150FT-25-6-54	2.5"x6"x54" Standard Taper		\$4,840.00
150FT-25-6-60	2.5"x6"x60" Standard Taper		\$5,145.00
150FT-25-6-72	2.5"x6"x72" Standard Taper		\$5,756.00
150FT-25-6-84	2.5"x6"x84" Standard Taper		\$6,273.00
150FT-25-6-96	2.5"x6"x96" Standard Taper		\$6,906.00

WHEEL LOADER CLASS 150

<u>Blank Lugs</u>		<u>List Price</u>
<u>Model #</u>	<u>Description</u>	
150BLQ	Class 150 Blank Quick Attach Lugs (Set of 2)	\$3,259.00
<u>Feedlot Grapple Bucket (c/w Bolt-On Edge)</u>		<u>List Price</u>
<u>Model #</u>	<u>CAP (CU.Yds)</u>	
150FGB-300	3.000	\$21,920.00
<u>Skeleton Bucket (c/w Weld-On Teeth)</u>		<u>List Price</u>
<u>Model #</u>	<u>CAP (CU.Yds)</u>	
150SK-250	2.500	\$20,957.00
150SK-300	3.000	\$21,477.00
<u>Root Rakes</u>		<u>List Price</u>
<u>Model #</u>	<u>Tine Description</u>	
150RR-105	105" Wide. 13.5" Tine Spacing, 9 Tines,	\$22,308.00
150RRH-105	105" Wide. 13.5" Tine Spacing, 9 Tines, Hydraulic Grapple	\$27,818.00

WHEEL LOADER CLASS 175

3.25-3.5 Yard Loader

Atlas	L210
Case	721B/C/D/E/F/G, 721D-XT,
Caterpillar	936F, 938F/G/H/K/M, 953K, IT38G
Doosan/Daewoo	250, 250-3, DL250, DL250-3/-5, DT250TC, DT250TC-3/-5, DL280-5/-7
Hyundia	HL757-3, HL757-7, HL757TM-3, HL757TM-7, HL757TM-9, HL955TM
JCB	436HT, 436ZX, 437HT, 437ZX,
John Deere	624G, 624H, 624J, 624K, 624L, TC64 H,
Kawasaki	70ZV, 70ZV-2, 70Z7, 70TMZ,
Komatsu	WA300, WA300-3, WA320, WA320-3/-5/-6/-7, WA350, WA350-3
Liebherr	L538, L546
New Holland	LW170, LW170TC, W170, W170B,
Sany	SW305K
SLDG	LG956L, LG958L,
Volvo	L90C/D/E/F/G/H, L110E/F/G/H

WHEEL LOADER CLASS 175

<u>General Purpose Buckets (c/w Bolt-On Edge)</u>			
<u>Model #</u>	<u>CAP (CU.Yrd)</u>		<u>List Price</u>
175GP-300	3.000		\$16,197.00
175GP-325	3.250		\$16,377.00
175GP-350	3.500		\$16,811.00
175GP-400	4.000		\$16,998.00
<u>G.E.T Options</u>			
<u>Part #</u>		<u>Description</u>	<u>List Price</u>
175-BOE		Bolt-on Cutting Edge	\$1,800.00
175-BOT		Bolt-On Teeth & Adapters	POR
175-BOS		Bolt-On Segments	POR
175-WOT		Weld-On Teeth & Adapters	POR
<u>Light Material Bucket (c/w Bolt-on Edge)</u>			
<u>Model #</u>	<u>CAP (CU.Yds)</u>	<u>Description</u>	<u>List Price</u>
175LM-500	5.000	Light Material/Snow Bucket	\$15,047.00
175LM-600	6.000	Light Material/Snow Bucket	\$15,298.00
175WC-750	7.500	Wood Chip bucket	\$16,434.00
<u>High Dump Buckets (c/w Bolt-On Edge)</u>			
<u>Model #</u>	<u>CAP (CU.Yds)</u>		<u>List Price</u>
175HD-450	4.500		\$30,881.00
175HD-500	5.000		\$31,011.00
175HD-550	5.500		\$31,104.00
175HD-600	6.000		\$31,970.00
175HD-700	7.000		\$32,657.00
<u>Rig Mat Grapple</u>			
<u>Model #</u>		<u>Description</u>	<u>List Price</u>
175RMG-96		96" Wide Carriage 2.5"x8"x72" Tines 2. Heavy Duty Cylinders Mat Grapple Top Clamp	POR
<u>Pallet Forks (Shaft Type Tine)</u>			
<u>Model #</u>	<u>Width</u>		<u>List Price</u>
175PF-72	72"		\$7,455.00
175PF-84	84"		\$7,530.00
175PF-96	96"		\$8,125.00

WHEEL LOADER CLASS 175

<u>Tine Options</u> (Price is Per Set of 2 Tines)			
<u>Part #</u>	<u>Description</u>		<u>List Price</u>
175FT-25-6-48	2.5"x6"x48" Standard Taper		\$4,535.00
175FT-25-6-54	2.5"x6"x54" Standard Taper		\$4,840.00
175FT-25-6-60	2.5"x6"x60" Standard Taper		\$5,145.00
175FT-25-6-72	2.5"x6"x72" Standard Taper		\$5,756.00
175FT-25-6-84	2.5"x6"x84" Standard Taper		\$6,273.00
175FT-25-6-96	2.5"x6"x96" Standard Taper		\$6,906.00
<u>Feedlot Grapple Bucket (c/w Bolt-On Edge)</u>			
<u>Model #</u>	<u>CAP (CU.Yds)</u>		<u>List Price</u>
175FGB-350	3.500		\$21,121.00
<u>Skeleton Bucket (c/w Weld-On Teeth)</u>			
<u>Model #</u>	<u>CAP (CU.Yds)</u>		<u>List Price</u>
175SK-300	3.000		\$22,315.00
175SK-350	3.500		\$23,022.00
<u>Root Rakes</u>			
<u>Model #</u>	<u>Tine Description</u>		<u>List Price</u>
175RR-105	105" Wide. 13" Tine Spacing, 9 Tines,		\$22,308.00
175RRH-105	105" Wide. 13" Tine Spacing, 9 Tines, Hydraulic Grapple		\$27,818.00

WHEEL LOADER CLASS 200

3.75-4.5 Yard Loader

Atlas	L260
Case	821B/C/D/E/F/G, 921F, 921G
Caterpillar	950F, 950G, 950GK, 950 GC, 950H, 950M, 960F, 962G/H/K/M, 963, 963K, IT62G
Doosan/Daewoo	300-3, DL300, DL300-3/-5, DL320-7, DL350, DL350-3/-5
Hyundia	HL760-3, HL760-7, HL760-9, HL955A, HL955A XT, HL460A, HL955, HL955XT, HL960, HL960XT, HL960A XT, HL960HD, HL960HDXT
JCB	456ZX, 457ZX, 457HT
John Deere	644G, 644H, 644J, 644K, 644L, 724J, 724K, 724L
Kawasaki	80ZV-2, 80Z7, 85ZV-2, 85Z7
Komatsu	WA380, WA380-3, WA380-5, WA380-6, WA380-7, WA420, WA420-3, WA420-5
Liebherr	L550
New Holland	LW190, W190, W190B
SDLG	LG968, LG968N
Terex	TXL300
Volvo	L120C, L120D, L120E, L120F, L120G, L120H, L150H

WHEEL LOADER CLASS 200

<u>General Purpose Bucket (c/w Bolt-on Edge)</u>			<u>List Price</u>
<u>Model #</u>	<u>CAP (Cu.Yds)</u>		
200GP-350	3.500		\$20,815.00
200GP-400	4.000		\$21,560.00
200GP-425	4.250		\$23,148.00
200GP-450	4.500		\$24,079.00
200GP-475	4.750		\$24,823.00
<u>G.E.T options</u>			<u>List Price</u>
<u>Part #</u>	<u>Description</u>		
200BOE	Bolt-On Cutting Edge		\$1,800.00
200BOT	Bolt-On Teeth & Adapters		POR
200BOS	Bolt-On Segments		POR
200WOT	Weld-On Teeth & Adapters		POR
<u>Light Material Buckets (c/w Bolt-On Edge)</u>			<u>List Price</u>
<u>Model #</u>	<u>CAP (CU.Yds)</u>	<u>Description</u>	
200LM-600	6.000	Light material/Snow bucket	\$21,471.00
200LM-700	6.000	Light material/Snow bucket	\$22,141.00
200WC-1000	10.000	Wood Chip Bucket	\$26,448.00
<u>High Dump Buckets (c/w Bolt-On Edge)</u>			<u>List Price</u>
<u>Model #</u>	<u>CAP (CU.Yds)</u>		
200HD-500	5.000		\$31,867.00
200HD-600	6.000		\$35,776.00
200HD-700	7.000		\$36,428.00
200HD-800	8.000		\$39,190.00
<u>Rig Mat Grapple</u>			<u>List Price</u>
<u>Model #</u>	<u>Description</u>		
200RMG-96	96" Wide Frame 2.5" x 8" x 72" tines 2 Heavy Duty Cylinders Mat Grapple Top Clamp		POR

WHEEL LOADER CLASS 200

<u>Pallet Forks (Shaft Type Tine)</u>		<u>List Price</u>
<u>Model #</u>	<u>Width</u>	
200PF-72	72"	\$8,334.00
200PF-84	84"	\$8,937.00
200PF-96	96"	\$9,597.00
<u>Tine Options</u> (Price is Per Set of 2 Tines)		<u>List Price</u>
<u>Part #</u>	<u>Tine Description</u>	
200FT-25-8-48	2.5"X8"X48" Standard taper	\$8,172.00
200FT-25-8-54	2.5"X8"X54" Standard taper	\$8,582.00
200FT-25-8-60	2.5"X8"X60" Standard taper	\$9,207.00
200FT-25-8-72	2.5"X8"X72" Standard taper	\$9,531.00
200FT-25-8-84	2.5"X8"X84" Standard taper	\$9,624.00
200FT-25-8-96	2.5"X8"X96" Standard taper	\$10,071.00
<u>Feedlot Grapple Bucket (c/w Bolt-On Edge)</u>		<u>List Price</u>
<u>Model #</u>	<u>CAP (CU.Yds)</u>	
200FGB-400	4.000	\$27,112.00
<u>Skeleton Bucket (c/w Weld-On Teeth)</u>		<u>List Price</u>
<u>Model #</u>	<u>CAP (CU.Yds)</u>	
200SK-400	4.000	POR
200SK-450	4.500	POR
<u>Root Rakes</u>		<u>List Price</u>
<u>Model #</u>	<u>Tine Description</u>	
200RR-112	112" Wide. 14" Tine Spacing, 9 Tines	\$23,827.00
200RRH-112	112" Wide. 14" Tine Spacing, 9 Tines, Hydraulic Grapple	\$31,273.00



WHEEL LOADER Class List By Model

WHEEL LOADER CLASS GUIDE:

Class	Horse Power	Class	Horse Power
Class 50	40 - 90 hp	Class 150	150 - 180
Class 100	90 - 120 hp	Class 175	180 - 210
Class 125	120- 150 hp	Class 200	210 - 280

Case

Model	Class	Model	Class
21E	50	621E	150
21F	50	621E XT	150
121E	50	621F	150
121F	50	621F XT	150
221E	50	621G	150
221F	50	721B	175
321D	50	721C	175
321E	50	721D	175
321F	50	721D XT	175
521D	125	721E	175
521D XT	125	721F	175
521E	125	721G	175
521E XT	125	821B	200
521F	125	821C	200
521F XT	125	821D	200
521G	125	821E	200
621B	150	821F	200
621C	150	821G	200
621D	150	921F	200
621D XT	150	921G	200

Cat

Model	Class	Model	Class
906	50	930H	150
906H	50	930K	150
906M	50	930M	150
907	50	936F	175
907H	50	938F	175
907M	50	938G	175
908	50	938H	175
908H	50	938K	175
908M	50	938M	175
910F	100	950F	200
910G	100	950G	200
910K	100	950GK	200
914G	100	950H	200
914K	100	950M	200
914M	100	960F	200



WHEEL LOADER Class List By Model

Cat continued...

Model	Class
918F	125
918M	125
924G	125
924GZ	125
924H	125
924HZ	125
926M	150
928F	150
928G	150
928H	150
930G	150

Model	Class
962G	200
962H	200
962K	200
962M	200
IT 12	50
IT 18	125
IT 24	125
IT 28G	150
IT 38G	175
IT 62G	200

Doosan/Daewoo

Model	Class
160	125
250	175
250-3	175
300-3	200
DL160	125
DL200	150
DL200-3	150
DL200-5	150
DL200TC	150
DL200TC-3	150
DL220	150
DL250	175
DL250-3	175

Model	Class
DL250-5	175
DL280-5	175
DL280-7	175
DL300	200
DL300-3	200
DL300-5	200
DL320-7	200
DL350	200
DL350-3	200
DL350-5	200
DT250TC-3	175
DT250TV	175

Hyundia

Model	Class
HL720-3	100
HL730-3/TM	125
HL730-7/TM	125
HL730-9/TM	125
HL730XTD	125
HL740-3	150
HL740-7	150
HL740-9	150
HL740TM-3	150
HL740TM-7	150

Model	Class
HL740TM-9	150
HL757-3	175
HL757-7	175
HL757TM-3	175
HL757TM-7	175
HL757TM-9	175
HL760-3	200
HL760-7	200
HL760-9	200



WHEEL LOADER Class List By Model

JCB

Model	Class	Model	Class
407 ZX	50	436 HT	175
409 ZX	50	436 ZX	175
411 HT	100	437 HT	175
416	125	437 ZX	175
416 HT	125	456 ZX	200
426	150	457 HT	200
426 HT	150	457 ZX	200
426B X2	150	503-36	50
427 HT	150	530B-HL	50
427 ZX	150		

John Deere

Model	Class	Model	Class
204K	50	524L	150
204L	50	544G	150
244H	50	544H	150
244J	50	544J	150
244K	50	544K	150
244L	50	544L	150
304H	50	624G	175
304J	50	624H	175
324J	50	624J	175
324K	50	624K	175
324L	50	624L	175
344G	100	644G	200
344H	100	644H	200
344J	100	644J	200
344K	100	644K	200
344L	100	644L	200
444G	125	724J	200
444H	125	724K	200
444J	125	724L	200
444K	125	TC44H	125
444L	125	TC54H	150
524K	150	TC64H	175

Kawasaki

Model	Class	Model	Class
42ZV-2	50	70TMZ	175
45ZV-2	100	70Z7	175
50ZV	100	70ZV	175
60ZV	125	70ZV-2	175
60ZV-2	125	80Z7	200



WHEEL LOADER Class List By Model

Kawasaki continued...

Model	Class
65TM	150
65TM-2	150
65ZV	150
65ZV-2	150

Model	Class
80ZV-2	200
85Z7	200
85ZV-2	200

Komatsu

Model	Class
WA70	50
WA75-3	50
WA95-A	50
WA100	100
WA120-3	100
WA120-3	100
WA150-5L	100
WA180	125
WA180-3	125
WA200	125
WA200-5	125
WA200-6	125
WA250	150
WA250-3	150
WA250-5	150
WA250-6	150
WA270	150
WA270-3	150

Model	Class
WA270-7	150
WA300	175
WA300-3	175
WA320	175
WA320-3	175
WA320-5	175
WA320-6	175
WA320-7	175
WA350	175
WA350-3	175
WA380	200
WA380-3	200
WA380-5	200
WA380-6	200
WA380-7	200
WA420	200
WA420-3	200
WA420-5	200

Liebherr

Model	Class
L526	150
L538	175

Model	Class
L546	175
L550	200

Link-Belt

Model	Class
L120	125
L125	150

Model	Class
L130	200

New Holland

Model	Class
LW50B	50
LW50B TC	50

Model	Class
LW170 TC	175
LW190	200



WHEEL LOADER Class List By Model

New Holland continued...

Model	Class
LW50B TC	50
LW80	50
LW80 TC	100
LW80B	50
LW90	100
LW110	125
LW110B	125
LW130	150
LW130 TC	150
LW170	175

Model	Class
W50C TC	50
W50C ZB	50
W80C HS	50
W110	125
W130	150
W130B	150
W170	175
W170B	175
W190	200
W190B	200

Sany

Model	Class
SW305K	175

Model	Class
-------	-------

SDLG

Model	Class
LG918	50
LG933L	100
LG938L	100
LG946L	125
LG952H	150
LG953	150

Model	Class
LG953N	150
LG956L	175
LG958L	175
LG968	200
LG968N	200

Takeuchi

Model	Class
TW60	50
TW80	100

Model	Class
TW95	125

Terex

Model	Class
7231	150
SKL260	150
SKL634	125
SKL834	50
SKL854	100
SKL873	150
SKS634	50

Model	Class
TL80	50
TL100	50
TL120	100
TL260	150
TXL200	125
TXL250	150
TXL300	200



WHEEL LOADER Class List By Model

Volvo

Model	Class
L20	50
L20B	50
L20F	50
L20H	50
L25B	50
L25H	50
L30	50
L30B	50
L30G	50
L35	50
L35B	50
L35G	50
L40	100
L45B	100
L45F	100
L45G	100
L45H	100
L50	100
L50F	100
L50G	100
L50H	100
L60E	150
L60F	150
L60G	150

Model	Class
L60H	150
L70C	150
L70D	150
L70E	150
L70F	150
L70G	150
L70H	150
L90C	175
L90D	175
L90E	175
L90F	175
L90G	175
L90H	175
L110E	175
L110F	175
L110G	175
L110H	175
L120C	200
L120D	200
L120E	200
L120F	200
L120G	200
L120H	200
L150H	200

Wacker Neuson

Model	Class
5055	50
8085	50

Model	Class
8115L	50

Yanmar

Model	Class
V8	50
V10	50

Model	Class
V12	100



NM ATTACHMENTS INC.
PRICE BOOK 2024

**EXCAVATOR & WHEEL
LOADER ATTACHMENTS**

PHONE NUMBER:

519.698.0012

EMAIL ADDRESS:

SALES@NMATTACHMENTS.CA

ADDRESS:

**246249 SOUTHGATE TWP RD 24
PROTON STATION, ON, NOC 1LO**