

HAMMER SERIES PRICE SHEET

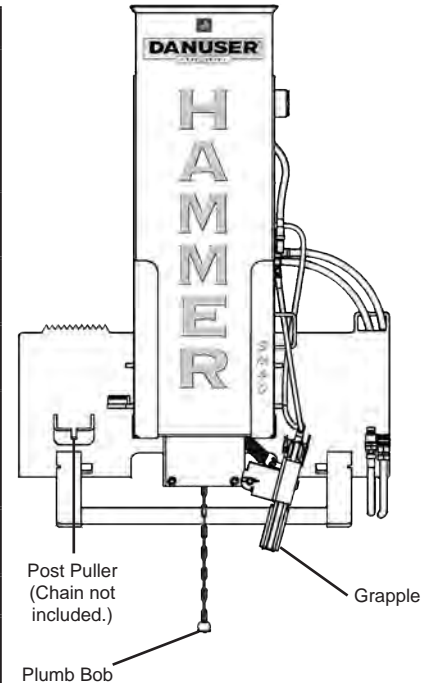
1-Year Warranty

⚠ WARNING This product can expose you to chemicals known to the State of California to cause cancer and birth defects or other reproductive harm. For more information go to www.P65Warnings.ca.gov/product.

SKID-STEER MOUNT

NOTE: If post/pipe diameter is 4" O.D. or smaller, PN 21212 or PN 21395 must be installed (see pg. 3).

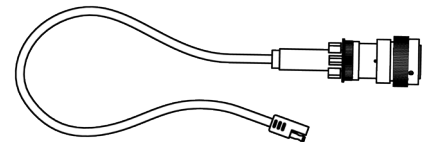
PN	DESCRIPTION	WT.	PRICE
21000	Hammer SM40 Hydraulic continuous chain drive, 300 lb. hammer weight (500 lbs. max.), 40" stroke, up to 35 strokes per minute, drives T-post up to railroad ties. Integrated post puller to be used with log chain. Includes hoses with 1/2" flush-face couplers (ISO 16028).	915	\$7,749.00
21000L	Hammer SM40 Loaded Includes factory-installed additional weight kit	1115	\$8,273.00
21001	Hammer SM40 with Grapple Grapple for one-man operation.	955	\$8,495.00
21001L	Hammer SM40 with Grapple Loaded Includes grapple and factory-installed additional weight kit	1155	\$9,018.00
21002	Hammer SM40 with Tilt Tilt left or right up to 20°. Includes diverter switch and cigarette lighter adapter that connects to a power port or cigarette lighter inside the cab.	1005	\$10,428.00
21002L	Hammer SM40 with Tilt Loaded Includes tilt and factory-installed additional weight kit	1205	\$10,957.00
21003	Hammer SM40 with Grapple and Tilt	1045	\$11,173.00
21003L	Hammer SM40 with Grapple and Tilt Loaded Includes grapple, tilt, and factory-installed additional weight kit	1245	\$11,702.00



OPTIONAL WIRING HARNESSES

Allow Hammer tilt function operation from vehicle joy stick controls. 12" length. Replace cigarette lighter plug on SM40, LM40, or EM40 standard harness.

PN	DESCRIPTION	WT.	PRICE
21220-1	Wiring Harness 8-Pin Used on ASV, Caterpillar, Komatsu, Terex	2	\$ 208.00
21220-2	Wiring Harness 14-pin Used on Bobcat (prior to 1999), Case, JCB, Kubota, New Holland, Takeuchi, Volvo	2	\$208.00
21220-3	Wiring Harness 14-pin Deere Used on John Deere	2	\$208.00
21220-4	Wiring Harness 14-pin Caterpillar Used on Caterpillar	2	\$208.00
21220-5	Wiring Harness 14-pin Used on Bobcat (1999 and current), Gehl	2	\$208.00
*21220-U1	Wiring Harness 8-pin Universal wiring harness. Contacts are crimped on wire but not installed in connector.	2	\$208.00
*21220-U2	Wiring Harness 14-pin Universal wiring harness. Contacts are crimped on wire but not installed in connector.	2	\$208.00

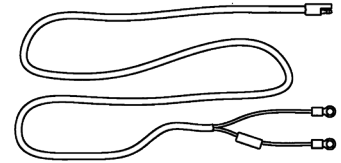


Danuser LLC takes care to ensure the accuracy of the information contained in this price sheet. We assume no liability for errors contained herein. It is the responsibility of the installer to ensure that all of the products are correct before installation. Proper assembly always requires that the installer use all instructions and safety procedures. We assume no liability for any errors made in product selection or installation.

* Requires connector contacts be installed in a switchable +12 V pin location and ground pin location. Mapping of skid-steer connector pins required.

**BATTERY WIRING HARNESS**

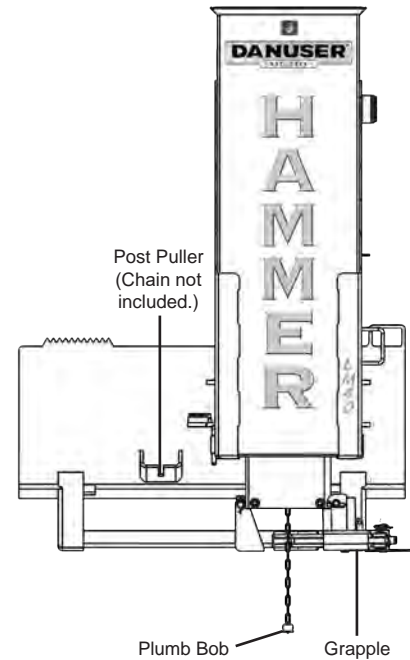
PN	DESCRIPTION	WT.	PRICE
21253	Wiring Harness - Battery Connection Connects to vehicle battery to supply power for tilt function. Replaces cigarette lighter plug on SM40, LM40, or EM40 standard harness.	2	\$69.00

**FRONT-END LOADER MOUNT - SKID-STEER QUICK ATTACH**

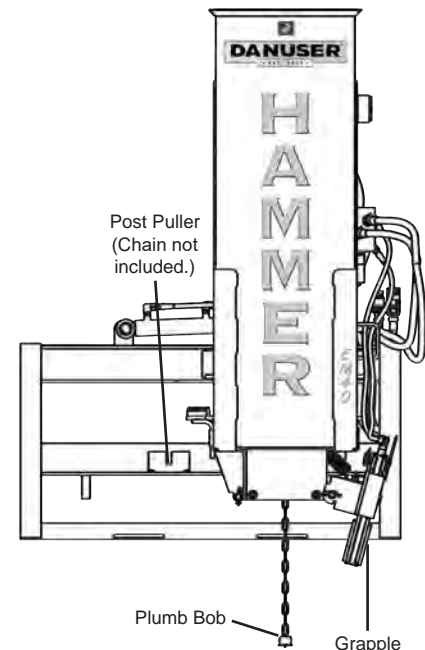
For tractor-mounted Hammers, recommended 75 HP & above only. DO NOT exceed the tractor loader rated operating capacity. Use sufficient counterweights. See front-end loader hose kit (pg. 3) to connect to rear tractor remotes.

NOTE: If post/pipe diameter is 4" O.D. or smaller, PN 21212 or PN 21395 must be installed (see pg. 3).

PN	DESCRIPTION	WT.	PRICE
21006	Hammer LM40 Hydraulic continuous chain drive, 300 lb. hammer weight (500 lbs. max.), 40" stroke, up to 35 strokes per minute, drives T-post up to railroad ties. Integrated post puller to be used with log chain. Includes hoses with 1/2" flush-face couplers (ISO 16028).	948	\$7,895.00
21006L	Hammer LM40 Loaded Includes factory-installed additional weight kit	1148	\$8,424.00
21007	Hammer LM40 with Grapple Grapple for one-man operation.	991	\$8,640.00
21007L	Hammer LM40 with Grapple Loaded Includes grapple and factory-installed additional weight kit	1191	\$9,170.00
21008	Hammer LM40 with Tilt Tilt left or right up to 20°. Includes diverter switch and cigarette lighter adapter that connects to a power port or cigarette lighter inside the cab.	991	\$10,579.00
21008L	Hammer LM40 with Tilt Loaded Includes tilt and factory-installed additional weight kit	1191	\$11,108.00
21009	Hammer LM40 with Grapple and Tilt	1041	\$11,324.00
21009L	Hammer LM40 with Grapple and Tilt Loaded Includes grapple, tilt, and factory-installed additional weight kit	1241	\$11,853.00

**FRONT-END LOADER MOUNT - EURO/GLOBAL QUICK ATTACH**

PN	DESCRIPTION	WT.	PRICE
21010	Hammer EM40 Hydraulic continuous chain drive, 300 lb. hammer weight (500 lbs. max.), 40" stroke, up to 35 strokes per minute, drives T-post up to railroad ties. Integrated post puller to be used with log chain. Includes hoses with 1/2" flush-face couplers (ISO 16028).	948	\$8,003.00
21010L	Hammer EM40 Loaded Includes factory-installed additional weight kit	1148	\$8,532.00
21011	Hammer EM40 with Grapple Grapple for one-man operation.	991	\$8,748.00
21011L	Hammer EM40 with Grapple Loaded Includes grapple and factory-installed additional weight kit	1191	\$9,278.00
21012	Hammer EM40 with Tilt Tilt left or right up to 20°. Includes diverter switch and cigarette lighter adapter that connects to a power port or cigarette lighter inside the cab.	991	\$10,692.00
21012L	Hammer EM40 with Tilt Loaded Includes tilt and factory-installed additional weight kit	1191	\$11,222.00
21013	Hammer EM40 with Grapple and Tilt	1041	\$11,438.00
21013L	Hammer EM40 with Grapple and Tilt Loaded Includes grapple, tilt, and factory-installed additional weight kit	1241	\$11,967.00

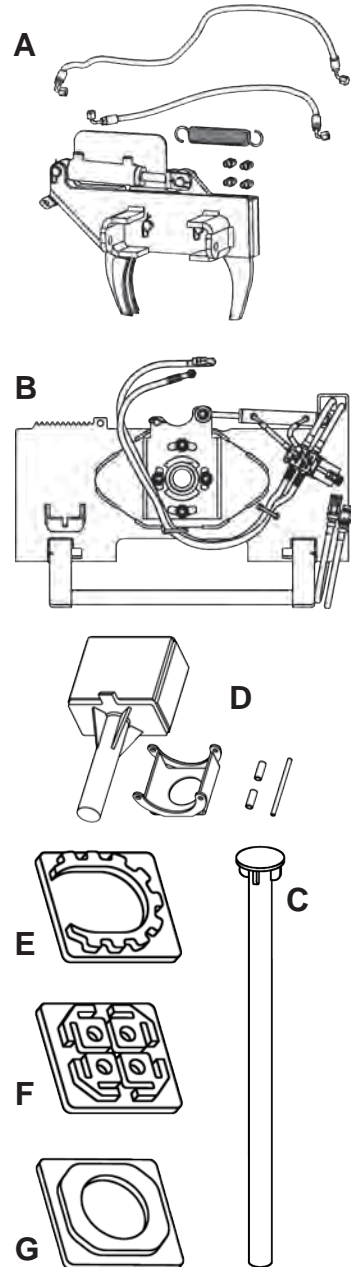


**HOSE KITS**

PN	DESCRIPTION	WT.	PRICE
196056	Front-End Loader Hose Kit 1/2" hoses, 25' long, with 1/2" flush-face couplers (ISO 16028) on one end to connect to Hammer hoses, and ISO 7241 Series A couplers (compatible with ISO 5675 Pioneer couplers) on the opposite end to connect to tractor rear remotes. Includes bolt-on/weld-on mounting bracket.	18	\$521.00
186065	Hose Extension Kit Extends Hammer hoses 24" when needed on certain skid-steers (e.g. JCB, Volvo). Includes two 24" hoses and fittings.	3	\$76.00

HAMMER SERIES ACCESSORIES

REF.	PN	DESCRIPTION	WT.	PRICE
A	21004	SM40 Grapple Grapple for one-person operation, for SM40 Hammers only.	65	\$895.00
--	21014	EM40 / LM40 Grapple Grapple for one-person operation, for EM40 & LM40 Hammers only.	65	\$895.00
B	21005	SM40 Tilt May be added to SM40 Hammers only. Tilt left or right up to 20°. Includes diverter switch and cigarette lighter adapter that connects to a power port or cigarette lighter inside the cab.	200	\$2,875.00
--	21015	LM40 Tilt May be added to LM40 Hammers only. Tilt left or right up to 20°. Includes diverter switch and cigarette lighter adapter that connects to a power port or cigarette lighter inside the cab.	200	\$2,875.00
--	21016	EM40 Tilt May be added to EM40 Hammers only. Tilt left or right up to 20°. Includes diverter switch and cigarette lighter adapter that connects to a power port or cigarette lighter inside the cab.	195	\$3,126.00
C	21149	T-Post Adapter Must be added for driving T-posts.	22	\$187.00
--	21163	Additional Weight Kit Add steel shot for additional driving force. (Up to 60% more power.)	200	\$455.00
D	21278	Concrete Breaker Kit May be added to all Hammer models to convert to a concrete breaker. Breaks up to 9" thick reinforced concrete. Includes 500 lb. breaker attachment, foot, and additional hardware for assembling.	534	\$2,665.00
E	21212	Strike Plate - Horseshoe Useful for driving smaller diameter pipe in difficult conditions. Aids in keeping the post centered in driver and reduces wear and tear on machine. Does not interfere with operation of the grapple. Works with posts 5" diameter and smaller including T-post adapter.	20	\$94.00
F	21280	Strike Plate - Guard Rail Recommended when driving 6" or 8" I beams. Aids in keeping the guard rail from twisting and shifting. Does not work with grapple.	20	\$108.00
G	21395	Strike Plate - 5" Donut In difficult driving conditions, more effective than Horseshoe Strike Plate in centering pipe. Reduces wear and tear on machine. Makes grappling of pipe more challenging. Works best with a helper to position pipe in Hammer. Preferred by fencing professionals. Works with posts 5" diameter and smaller including T-post adapter.	25	\$94.00

**REPAIR PARTS & SAFETY SIGNS**

To find repair parts and safety signs, see Danuser's online Parts Catalog at parts.danuser.com. The Parts Catalog includes all current attachment parts and decals in a user-friendly, accessible, and portable format. Be sure to have model and serial number at hand to find the correct items.

F.O.B. FULTON, MISSOURI
Dollars are U.S. Dollars.

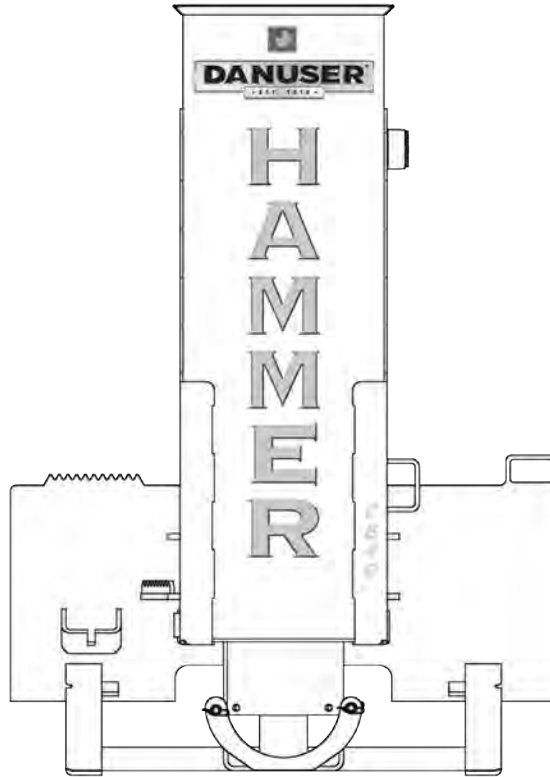
Danuser reserves the right to make changes in design, specifications, and prices without notice and without incurring any obligation relating to such changes.



HAMMER CB40 PRICE SHEET

1-Year Warranty

⚠ WARNING This product can expose you to chemicals known to the State of California to cause cancer and birth defects or other reproductive harm. For more information go to www.P65Warnings.ca.gov/product.



PN	DESCRIPTION	WT.	PRICE
21017	Hammer CB40 Concrete Breaker Hydraulic continuous chain drive, 500 lb. hammer weight, 40" stroke, up to 35 strokes per minute. Can break up to 9" thick reinforced concrete. Includes 96" length hoses with 1/2" flush-face couplers (ISO 16028).	1,146	\$8,721.00

REPAIR PARTS & SAFETY SIGNS

To find repair parts and safety signs, see Danuser's online Parts Catalog at parts.danuser.com. The Parts Catalog includes all current attachment parts and decals in a user-friendly, accessible, and portable format. Be sure to have model and serial number at hand to find the correct items.

F.O.B. FULTON, MISSOURI
Dollars are U.S. Dollars.

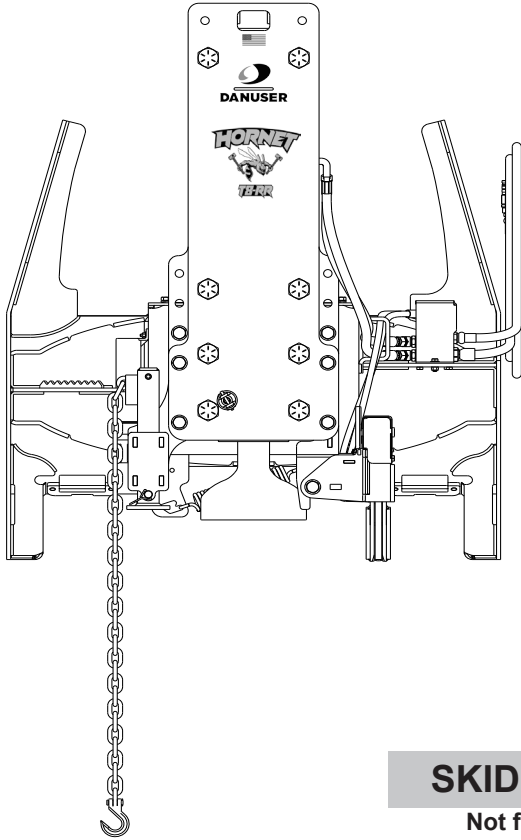
Danuser reserves the right to make changes in design, specifications, and prices without notice and without incurring any obligation relating to such changes.



HORNET SERIES PRICE SHEET

1-Year Warranty

⚠ WARNING This product can expose you to chemicals known to the State of California to cause cancer and birth defects or other reproductive harm. For more information go to www.P65Warnings.ca.gov/product.



Model	Hydraulic Requirements	Impact Rate
T7	2,000 - 3,500 PSI 10 - 30 GPM	500-900 strikes/ minute
T8-RR	2,200 - 3,500 PSI 13 - 30 GPM	400-800 strikes/ minute

INCLUDED WITH ALL HORNETS

PN	DESCRIPTION
216003	Post Pulling/Depth Gauge Chain Chain that can be used for post pulling, leveling, and as a depth gauge. 84" length.
206101	Filled Nitrogen Bottle
206102	Nitrogen Gas Charging Kit

SKID-STEER MOUNT

Not for Front-End Loaders

PN	DESCRIPTION	WT.	PRICE
214050	Hornet T7 Hydraulic jackhammer style driver drives T-post up to 7" diameter posts. Domed Driving Tool 7.27" I.D. Integrated post puller. Includes high abrasion resistant hoses and hose fittings with 1/2" flush-face couplers (ISO 16028).	1,340	\$10,779.00
214050L	Hornet T7 Loaded Includes factory-installed additional weight kit. Increases driving speed up to 50% faster than base unit.	1,950	\$13,608.00
214051	Hornet T7 with Grapple Grapple for one-person operation.	1,465	\$11,918.00
214051L	Hornet T7 with Grapple Loaded Includes grapple and factory-installed additional weight kit. Increases driving speed up to 50% faster than base unit.	2,077	\$14,748.00
214052	Hornet T7 with Tilt Tilt left or right up to 20°. Includes diverter switch and cigarette lighter adapter that connects to a power port or cigarette lighter inside the cab.	1,430	\$14,742.00
214052L	Hornet T7 with Tilt Loaded Includes tilt and factory-installed additional weight kit.	1,910	\$16,967.00
214053	Hornet T7 with Grapple and Tilt	1,565	\$15,984.00
214053L	Hornet T7 with Grapple and Tilt Loaded Includes grapple, tilt, and factory-installed additional weight kit.	2,045	\$18,209.00

SKID-STEER MOUNT CONT'D

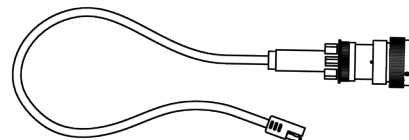
Not for Front-End Loaders

PN	DESCRIPTION	WT.	PRICE
214100	Hornet T8-RR Hydraulic jackhammer style driver drives T-posts up to 8" diameter posts. Domed Driving Tool 8.27" I.D. Integrated post puller. Includes high abrasion resistant hoses and hose fittings with 1/2" flush-face couplers (ISO 16028). (Optional PN 196074R Railroad Tie Driving Tool - see Accessories "G")	1,565	\$11,779.00
214100L	Hornet T8-RR Loaded Includes factory-installed additional weight kit. Increases driving speed up to 50% faster than base unit.	2,176	\$14,510.00
214101	Hornet T8-RR with Grapple Grapple for one-person operation.	1,690	\$12,820.00
214101L	Hornet T8-RR with Grapple Loaded Includes grapple and factory-installed additional weight kit. Increases driving speed up to 50% faster than base unit.	2,295	\$15,650.00
214102	Hornet T8-RR with Tilt Tilt left or right up to 20°. Includes diverter switch and cigarette lighter adapter that connects to a power port or cigarette lighter inside the cab.	1,630	\$15,644.00
214102L	Hornet T8-RR with Tilt Loaded Includes tilt and factory-installed additional weight kit.	2,110	\$17,869.00
214103	Hornet T8-RR with Grapple and Tilt	1,770	\$16,886.00
214103L	Hornet T8-RR with Grapple and Tilt Loaded Includes grapple, tilt, and factory-installed additional weight kit.	2,250	\$19,327.00

OPTIONAL WIRING HARNESSSES

Allow Hornet tilt function operation from vehicle joy stick controls. 12" length.
Replace cigarette lighter plug on T7 and T8-RR standard harness.

PN	DESCRIPTION	WT.	PRICE
21220-1	Wiring Harness 8-Pin Used on ASV, Caterpillar, Komatsu, Terex	2	\$208.00
21220-2	Wiring Harness 14-pin Used on Bobcat (prior to 1999), Case, JCB, Kubota, New Holland, Takeuchi, Volvo	2	\$208.00
21220-3	Wiring Harness 14-pin Deere Used on John Deere	2	\$208.00
21220-4	Wiring Harness 14-pin Caterpillar Used on Caterpillar	2	\$208.00
21220-5	Wiring Harness 14-pin Used on Bobcat (1999 and current), Gehl	2	\$208.00
*21220-U1	Wiring Harness 8-pin Universal wiring harness. Contacts are crimped on wire but not installed in connector.	2	\$208.00
*21220-U2	Wiring Harness 14-pin Universal wiring harness. Contacts are crimped on wire but not installed in connector.	2	\$208.00

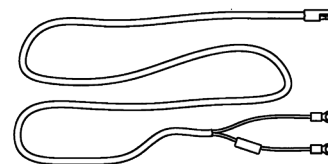


Danuser LLC takes care to ensure the accuracy of the information contained in this price sheet. We assume no liability for errors contained herein. It is the responsibility of the installer to ensure that all of the products are correct before installation. Proper assembly always requires that the installer use all instructions and safety procedures. We assume no liability for any errors made in product selection or installation.

* Requires connector contacts be installed in a switchable +12 V pin location and ground pin location. Mapping of skid-steer connector pins required.

BATTERY WIRING HARNESS

PN	DESCRIPTION	WT.	PRICE
21253	Wiring Harness - Battery Connection Connects to vehicle battery to supply power for tilt function. Replaces cigarette lighter plug on T7 or T8-RR standard harness.	2	\$69.00



BACKHOE & EXCAVATOR MOUNT

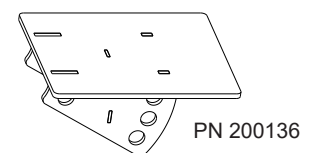
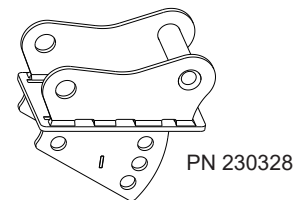
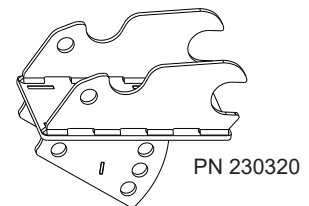
Mounts not included with purchase. See Quick Attach Mounting Kits table below for mounts.

PN	DESCRIPTION	WT.	PRICE
214054	Hornet T7 Hydraulic jackhammer style driver drives T-post up to 7" diameter posts. Domed Driving Tool 7.27" I.D. Integrated post puller. Includes high abrasion resistant hoses and hose fittings with 1/2" flush-face couplers (ISO 16028).	990	\$9,720.00
214055	Hornet T7 with Grapple Grapple for one-person operation.	1,110	\$10,962.00
214056	Hornet T7 with Tilt Tilt left or right up to 20°. Includes diverter switch and cigarette lighter adapter that connects to a power port or cigarette lighter inside the cab.	1,135	\$12,962.00
214057	Hornet T7 with Grapple and Tilt	1,260	\$14,267.00
214104	Hornet T8-RR Hydraulic jackhammer style driver drives T-posts up to 8" diameter posts. Domed Driving Tool 8.27" I.D. Integrated post puller. Includes high abrasion resistant hoses and hose fittings with 1/2" flush-face couplers (ISO 16028). (Optional PN 196074R Railroad Tie Driving Tool - see Accessories "G")	1,190	\$10,622.00
214105	Hornet T8-RR with Grapple Grapple for one-person operation.	1,315	\$11,864.00
214106	Hornet T8-RR with Tilt Tilt left or right up to 20°. Includes diverter switch and cigarette lighter adapter that connects to a power port or cigarette lighter inside the cab.	1,345	\$13,927.00
214107	Hornet T8-RR with Grapple and Tilt	1,465	\$15,169.00

BACKHOE & EXCAVATOR QUICK ATTACH MOUNTING KITS

* USA models only. Will not fit gray market machines.

PN	MAKES & MODELS	WT.	PRICE
200052	BOBCAT X-CHANGE	55	\$535.00
230336	CAT 304E, E2	55	\$319.00
230334	CAT 305.5E, 304C CR	65	\$427.00
200150	CAT 308, 309	80	\$427.00
230332	CAT 420D, 420E (PIN GRABBER)	100	\$751.00
230330	CASE 580 SUPER L SERIES 1&2	100	\$643.00
190029	JD 35G, 35G	55	\$319.00
200050	JD 50D, 50G, 60G (WEDGE)	70	\$427.00
230328	JD 310, 410 (FITS ALL SERIES EXCEPT G)	80	\$427.00
*230320	KUBOTA KX057, U55, U48	80	\$319.00
*200048	KUBOTA KX080	60	\$427.00
*230322	KUBOTA KX161-3, U45	75	\$319.00
*200046	KUBOTA KX040, KX91-3, KX121-3	60	\$319.00
230324	TAG PIN GRAPPER STYLE (QUICK COUPLER)	65	\$427.00
200057	TAG QC27 STYLE (QUICK COUPLER)	55	\$319.00
200060	TAG QC30 STYLE (QUICK COUPLER)	75	\$643.00
230326	TAKEUCHI TB250 (PIN GRABBER)	65	\$237.00
200113	YANMAR VIO45, VIO50, VIO55 (QUICK COUPLER)	70	\$319.00
200136	BLANK UNIVERSAL MOUNT	60	\$232.00

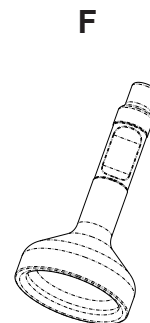
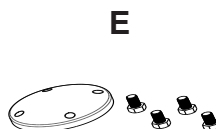
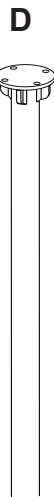
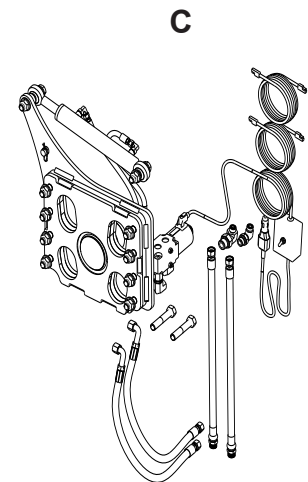
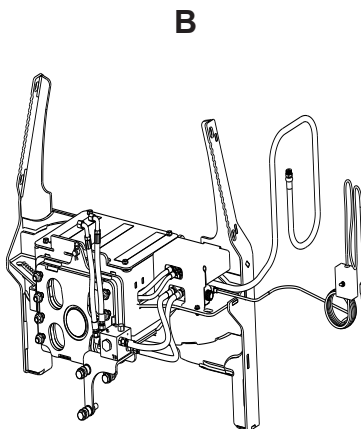
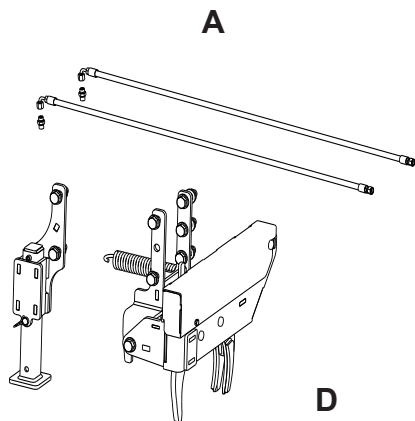


If you do not see your make or model listed, contact Danuser.



HORNET SERIES ACCESSORIES

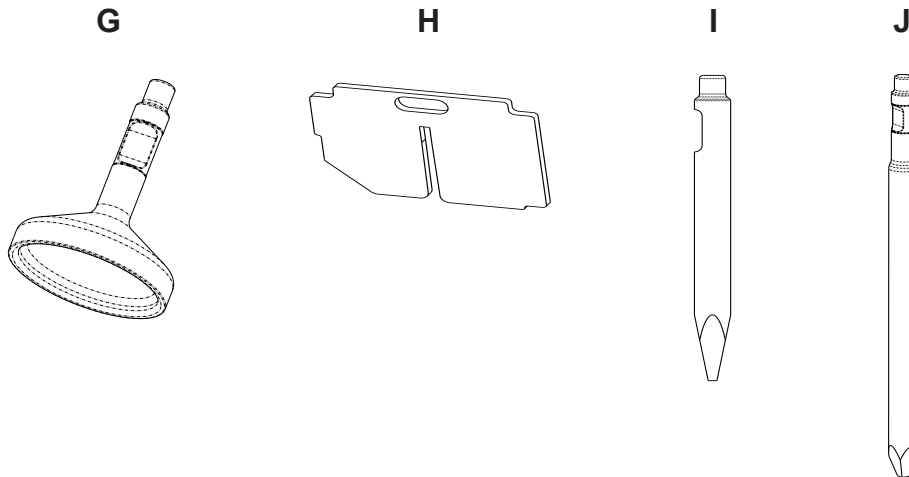
REF.	PN	DESCRIPTION	WT.	PRICE
A	210040	T7 Grapple Kit Grapple for one-person operation, for Hornet T7 models only.	122	\$1,190.00
--	210041	T8-RR Grapple Kit Grapple for one-person operation, for Hornet T8-RR models only.	122	\$1,190.00
B	214200	T7 Skid-Steer Tilt Kit Tilt left or right up to 20°. May be added to T7 Hornet only. Includes diverter switch and cigarette lighter adaptor that connects to a power port or cigarette lighter inside the cab.	675	\$6,134.00
--	214202	T7 Backhoe & Excavator Tilt Kit Tilt left or right up to 20°. May be added to T7 Hornet only. Includes diverter switch and cigarette lighter adaptor that connects to a power port or cigarette lighter inside the cab.	170	\$3,370.00
--	214205	T8-RR Skid-Steer Tilt Kit Tilt left or right up to 20°. May be added to T8-RR Hornet only. Includes diverter switch and cigarette lighter adaptor that connects to a power port or cigarette lighter inside the cab.	675	\$6,134.00
C	214207	T8-RR Backhoe & Excavator Tilt Kit Tilt left or right up to 20°. May be added to T8-RR Hornet only. Includes diverter switch and cigarette lighter adaptor that connects to a power port or cigarette lighter inside the cab.	170	\$3,370.00
D	21149	T-Post Adapter Must be added for driving T-posts. Can only be used with a flat bottom driving tool.	22	\$187.00
E	220011	T-Post Adapter Domed Driving Tool Kit Must be added to PN 21149 for driving T-Posts with a domed driving tool.	5	\$81.00
F	196067F	T7 Flat Driving Tool 7.27" I.D.	59	\$686.00
--	196074F	T8-RR Flat Driving Tool 8.27" I.D.	78	\$739.00



HORNET SERIES ACCESSORIES CONT'D

* NOTE: When storing Skid-mounted Hornets, the driving tool must be re-installed.

REF.	PN	DESCRIPTION	WT.	PRICE
G	196074R	T8-RR Railroad Tie Flat Driving Tool 12.3" I.D.	138	\$1,614.00
H	200076	Additional Weight Kit - Non-Tilt Hornets Add up to 14 weight plates for reduced vibration and more efficient driving. 1 weight = 44 lb., 14 weights = 616 lb. Increases driving speed up to 50% faster than base unit.	616	\$2,825.00
--	214201	Additional Weight Kit - Tilt Hornets Add up to 11 weight plates for reduced vibration and more efficient driving. 1 weight = 44 lb., 11 weights = 484 lb. Tilt intermediate weldment and additional tilt components (included with Hornet Driver) = 132 lb. Increases driving speed up to 50% faster than base unit.	484	\$2,219.00
I	*236080	T7 Concrete Breaker Tool Kit For use on all versions of T7 Hornets to break rock and reinforced concrete. Tool has amoil style point.	40	\$162.00
--	*236082	T8-RR Concrete Breaker Tool Kit For use on all versions of T8-RR Hornets to break rock and reinforced concrete. Tool has amoil style point.	50	\$189.00
J	*236090	T8-RR Rock Spike Tool For use on all versions of T8-RR Hornets. Use to create pilot holes for wooden posts in rocky areas. Overall length 60".	155	\$707.00



REPAIR PARTS & SAFETY SIGNS

To find repair parts and safety signs, see Danuser's online Parts Catalog at parts.danuser.com.

The Parts Catalog includes all current attachment parts and decals in a user-friendly, accessible, and portable format.

Be sure to have model and serial number at hand to find the correct items.

F.O.B. FULTON, MISSOURI
 Dollars are U.S. Dollars.

Danuser reserves the right to make changes in design, specifications, and prices without notice and without incurring any obligation relating to such changes.



Dig out rocks

INTIMIDATOR PRICE SHEET

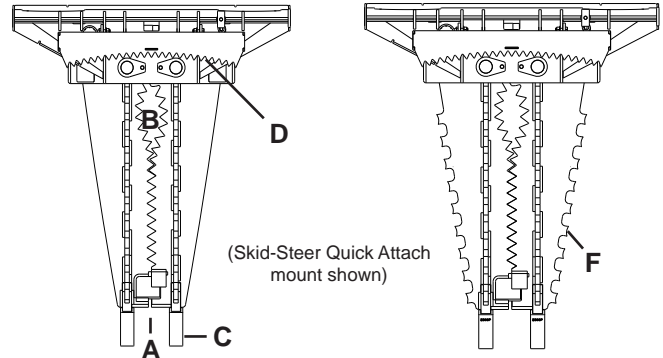
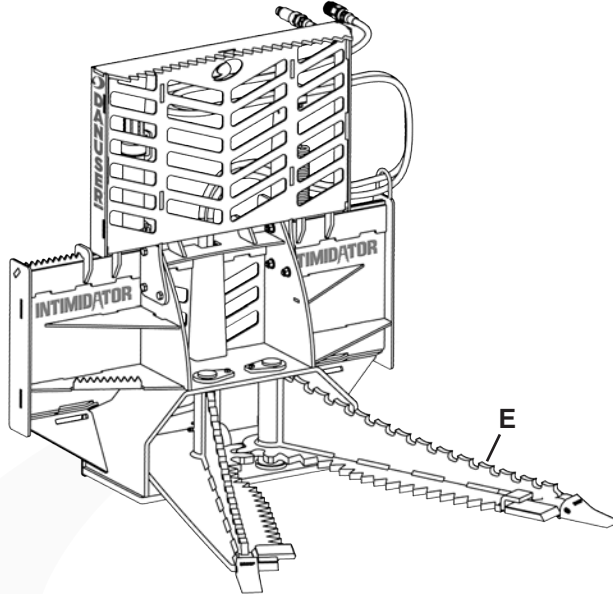
Pull posts/trees

Clamp & carry various items

1-Year Warranty

Cut/saw tree roots & remove stumps

⚠ WARNING This product can expose you to chemicals known to the State of California to cause cancer and birth defects or other reproductive harm. For more information go to www.P65Warnings.ca.gov/product.



- A. Interlocking jaws for digging & prying
- B. Tapered jaw opening maximizes pulling force on larger objects
- C. Excavator bucket teeth for digging & prying
- D. Teeth on brush guard reduce movement of objects
- E. Top bidirectional saw teeth to cut roots of large trees & stumps
- F. Side bidirectional saw teeth for cutting trees. Provides a more aggressive design (**models ending in "T" only**)

34" maximum jaw opening; maximum cylinder force of 21,000 lb.; synchronized interlocking jaws with excavator bucket teeth for digging, prying, and sawing; brush guard; and fully-protected 138" hydraulic hoses with 1/2" flush-face couplers (ISO 16028); maximum horsepower rating 125 HP.

STANDARD PN	SIDE SAW TOOTH PN	DESCRIPTION	WT.	STANDARD PRICE	SIDE SAW TOOTH PRICE
12200	12200T	Intimidator Skid-Steer Quick Attach Mount	710	\$4,488.00	\$4,790.00
12200CSE	12200CSET	Intimidator Skid-Steer Quick Attach Mount Fits Case models 1835B, 1835C, & 1840	695	\$4,985.00	\$5,227.00
12201	12201T	Intimidator Euro/Global Quick Attach Mount	755	\$4,720.00	\$5,017.00
12200F	12200FT	Intimidator Flat Back For custom fabrication to fit other mount styles	805	\$4,974.00	\$5,271.00

FRONT-END LOADER HOSE KIT

PN	DESCRIPTION	WT.	PRICE
196056	Front-End Loader Hose Kit 1/2" hoses, 25' long, with 1/2" flush-face couplers (ISO 16028) on one end to connect to Intimidator hoses, and ISO 7241 Series A couplers (compatible with ISO 5675 Pioneer couplers) on the opposite end to connect to tractor rear remotes. Includes bolt-on/weld-on mounting bracket.	35	\$521.00

REPAIR PARTS & SAFETY SIGNS

To find repair parts and safety signs, see Danuser's online Parts Catalog at parts.danuser.com.

The Parts Catalog includes all current attachment parts and decals in a user-friendly, accessible, and portable format.

Be sure to have model and serial number at hand to find the correct items.

F.O.B. FULTON, MISSOURI

Dollars are U.S. Dollars.

Danuser reserves the right to make changes in design, specifications, and prices without notice and without incurring any obligation relating to such changes.

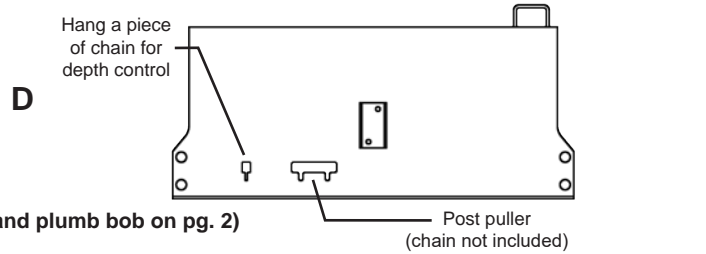
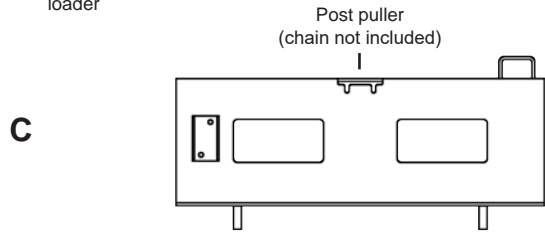
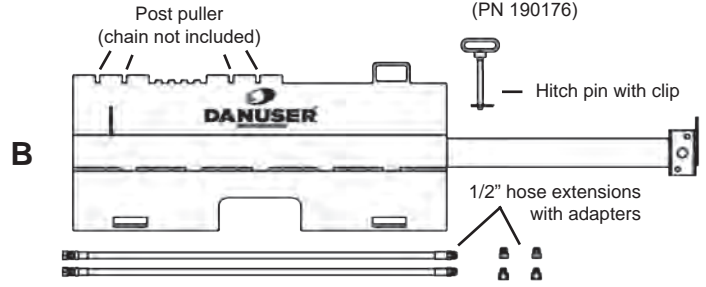
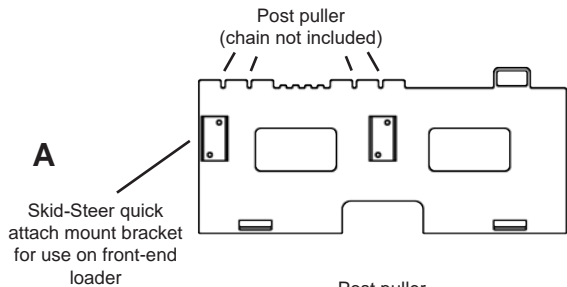
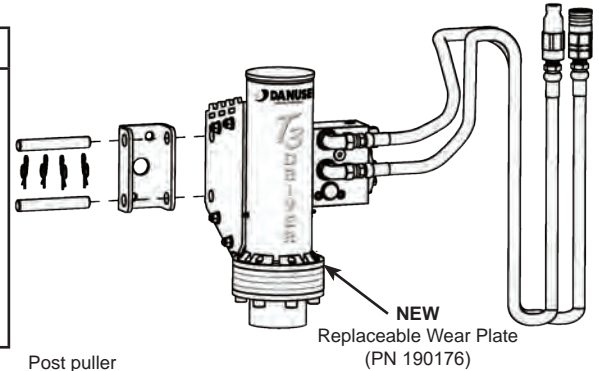


T3 DRIVER PRICE SHEET

1-Year Warranty

⚠ WARNING This product can expose you to chemicals known to the State of California to cause cancer and birth defects or other reproductive harm. For more information go to www.P65Warnings.ca.gov/product.

PN	DESCRIPTION	WT.	PRICE
21300	T3 Driver with Bracket Impact force of 2,000 lb. per strike, 6 strikes per second, drives T-post up to 3" O.D. pipe. Bracket can be bolted or welded to a vertical flat surface. Bracket hardware not included. Includes 7' length hoses with 1/2" flush-face couplers (ISO 16028).	116	\$2,490.00



(Tilt bracket assembly and plumb bob on pg. 2)

MOUNTING OPTIONS

REF.	PN	DESCRIPTION	WT.	PRICE
A	21305	Skid-Steer Quick Attach Mount Equipped with center or offset mounting options. Integrated post puller.	117	\$332.00
B	21355	Skid-Steer Offset Quick Attach Mount Telescopes left or right up to 5' from center in 6" increments. Includes two 4' long 1/2" hose extensions and hitch pin with clip. Integrated post puller.	230	\$901.00
C	21303	Euro/Global Offset Quick Attach Mount Integrated post puller.	126	\$440.00
D	21304	John Deere 200/300/400/500 Series Quick Attach Mount Chain slot available for depth control. Integrated post puller.	137	\$598.00

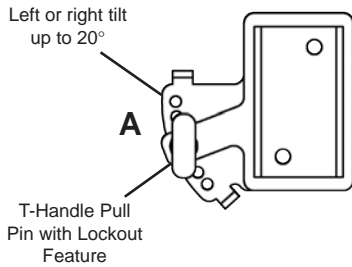
FRONT-END LOADER HOSE KIT

PN	DESCRIPTION	WT.	PRICE
196056	Front-End Loader Hose Kit 1/2" hoses, 25' long, with 1/2" flush-face couplers (ISO 16028) on one end to connect to T3 hoses, and ISO 7241 Series A couplers (compatible with ISO 5675 Pioneer couplers) on the opposite end to connect to tractor rear remotes. Includes bolt-on/weld-on mounting bracket.	27	\$521.00



ACCESSORIES

REF.	PN	DESCRIPTION	WT.	PRICE
A	21301	Tilt Bracket Assembly Tilt left or right up to 20°. Includes hardware. Works with all T3 Driver mount platforms.	15	\$206.00
--	21302	Mount Bracket Bolt-on/weld-on bracket that mounts to a flat surface. Hardware not included.	4	\$27.00
--	21356	Plumb Bob Provides vertical line reference for operator.	1	\$30.00



REPAIR PARTS & SAFETY SIGNS

To find repair parts and safety signs, see Danuser’s online Parts Catalog at parts.danuser.com.

The Parts Catalog includes all current attachment parts and decals in a user-friendly, accessible, and portable format.

Be sure to have model and serial number at hand to find the correct items.

F.O.B. FULTON, MISSOURI

Dollars are U.S. Dollars.

Danuser reserves the right to make changes in design, specifications, and prices without notice and without incurring any obligation relating to such changes.

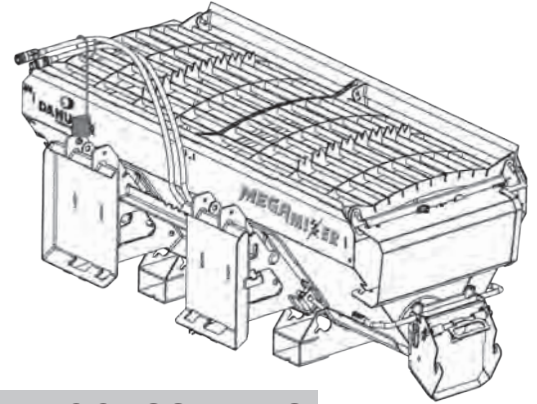


MEGA MIXER PRICE SHEET

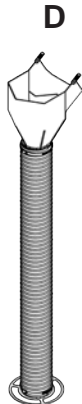
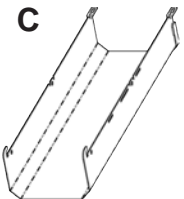
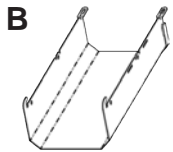
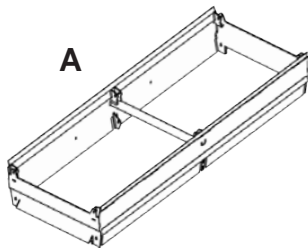
1-Year Warranty

⚠ WARNING This product can expose you to chemicals known to the State of California to cause cancer and birth defects or other reproductive harm. For more information go to www.P65Warnings.ca.gov/product.

PN	DESCRIPTION	WT.	PRICE
170001	Mega Mixer S75 Includes two 24" chutes, 11' length hoses with 1/2" flush-face couplers (ISO 16028), built-in scraper blades, handle-operated automatic discharge flap, and safety grates with bag busters.	935	\$7,479.00



MEGA MIXER ACCESSORIES



REF.	PN	DESCRIPTION	WT.	PRICE
A	170095	Hopper Extension Expands Mega Mixer capacity from 3/4 yard to 1 yard without modification. Includes hardware. No tools required.	121	\$697.00
--	170100	24" Chute (SN 1280 & below) 2' chutes can be linked to extend.	15	\$70.00
--	170103	36" Chute (SN 1280 & below) 3' chutes can be linked to extend.	22	\$84.00
B	180700	24" Chute (SN 1281 & above) 2' chutes can be linked to extend.	18	\$70.00
C	180701	36" Chute (SN 1281 & above) 3' chutes can be linked to extend.	25	\$84.00
D	170110	Funnel with 6" Hose Adapter May be combined with 24" or 36" chute. Allows precision discharge with included 5' long, 6" diameter hose.	24	\$575.00

REPAIR PARTS & SAFETY SIGNS

To find repair parts and safety signs, see Danuser's online Parts Catalog at parts.danuser.com.

The Parts Catalog includes all current attachment parts and decals in a user-friendly, accessible, and portable format.

Be sure to have model and serial number at hand to find the correct items.

F.O.B. FULTON, MISSOURI
Dollars are U.S. Dollars.

Danuser reserves the right to make changes in design, specifications, and prices without notice and without incurring any obligation relating to such changes.



PALLET FORKS & GRAPPLES PRICE SHEET

⚠ WARNING This product can expose you to chemicals known to the State of California to cause cancer and birth defects or other reproductive harm. For more information go to www.P65Warnings.ca.gov/product.

PALLET FORK FRAMES & TINES

2-Year Warranty

PN	DESCRIPTION	WT.	PRICE	PN	DESCRIPTION	WT.	PRICE
12017	Skid-Steer Full Brick Guard	166	\$773.00	12057	Fork Tine Set 1-1/4" x 48" 3,500 lb. capacity	179	\$693.00
12030	Skid-Steer Walk-Thru Brick Guard	162	\$773.00				
12033	John Deere 200/300/400/500 Series Loader	146	\$841.00	12059	Fork Tine Set 1-5/8" x 48" 5,500 lb. capacity	230	\$839.00
12034	John Deere 600/700 Series Loader	178	\$1,023.00				
12035	Euro/Global Loader	148	\$812.00				

Free personalization to any pallet fork brick guard (Required Minimum Quantity of 10)
Just add a "P" to the end of the part number

MULTI-PURPOSE GRAPPLES

1-Year Warranty

See pg. 2 for frame designs

PN	DESCRIPTION	WT.	PRICE
12085	Pallet Fork Grapple Kit (Danuser Frame Designs) Maximum opening of 55". Produces 9,500 lb. of clamping force at 3,000 PSI. Will fit all frames listed above. Includes hoses with 1/2" flush-face couplers (ISO 16028).	150	\$1,579.00
170500	Pallet Fork Grapple Kit (Other Frame Designs) Maximum opening of 55". Produces 9,500 lb. of clamping force at 3,000 PSI. Fits most fork frames. Includes hoses with 1/2" flush-face couplers (ISO 16028).	150	\$1,579.00

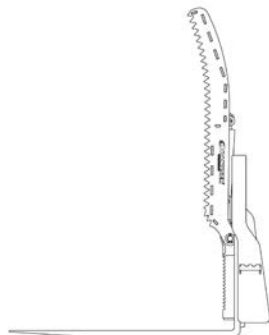
FRONT-END LOADER HOSE KIT

PN	DESCRIPTION	WT.	PRICE
196056	Front-End Loader Hose Kit 1/2" hoses, 25' long, with 1/2" flush-face couplers (ISO 16028) on one end to connect to Pallet Fork Grapple hoses, and ISO 7241 Series A couplers (compatible with ISO 5675 Pioneer couplers) on the opposite end to connect to tractor rear remotes. Includes bolt-on/weld-on mounting bracket.	27	\$521.00

**GRAPPLE IN
WORKING POSITION**

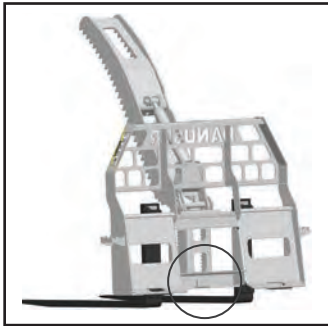


**GRAPPLE IN
LOCKED POSITION
FOR NORMAL PALLET FORK USE
(NO TOOLS REQUIRED)**





ATTACHING THE MULTI-PURPOSE GRAPPLE TO FORK FRAMES



**DANUSER PALLET
FORK GRAPPLE KIT**

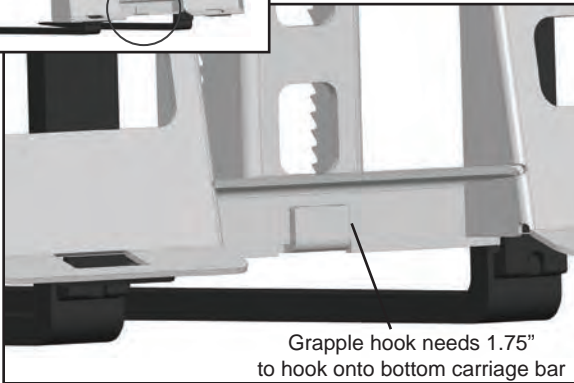
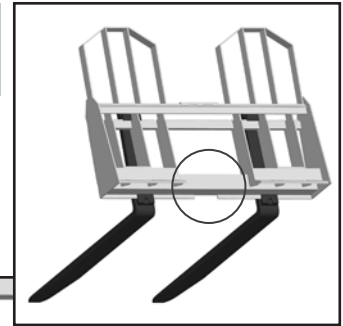
12085

**FITS DANUSER FORK
FRAMES**

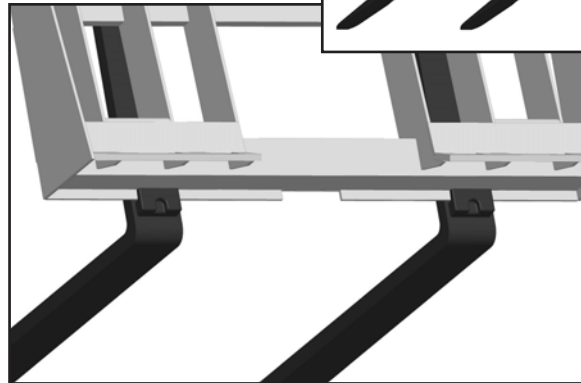
**PALLET FORK
GRAPPLE KIT**

170500

**FITS MOST OTHER
FORK FRAMES**



Grapple hook needs 1.75"
to hook onto bottom carriage bar



REPAIR PARTS & SAFETY SIGNS

To find repair parts and safety signs, see Danuser's online Parts Catalog at parts.danuser.com.

The Parts Catalog includes all current attachment parts and decals in a user-friendly, accessible, and portable format.

Be sure to have model and serial number at hand to find the correct items.

F.O.B. FULTON, MISSOURI

Dollars are U.S. Dollars.

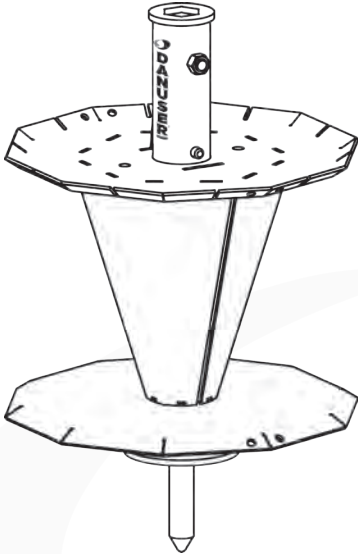
Danuser reserves the right to make changes in design, specifications, and prices without notice and without incurring any obligation relating to such changes.



PYTHON PRICE SHEET

1-Year Warranty

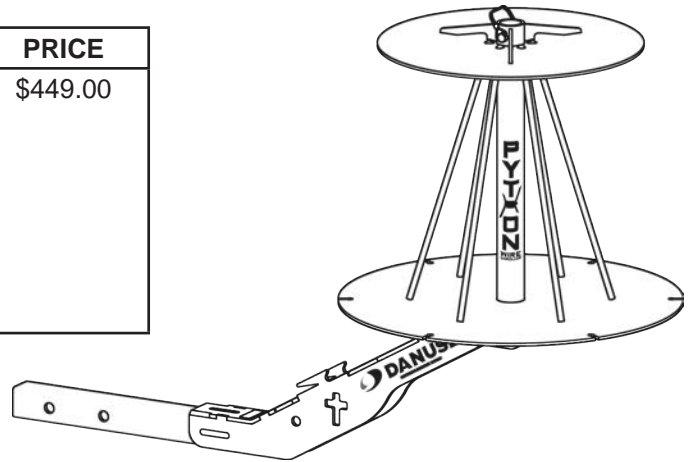
⚠ WARNING This product can expose you to chemicals known to the State of California to cause cancer and birth defects or other reproductive harm. For more information go to www.P65Warnings.ca.gov/product.



PN	DESCRIPTION	WT.	PRICE
170610	Python Wire Winder Can roll up to 3/4 mile barbed wire (12.5ga) or 6 miles smooth wire (14ga). 2" hex connection. Two tie-wire locations and 10 easy-start wire slots to roll multiple wires at one time. Toolless operation.	90	\$600.00

NOTE: Python Wire Winder must be used on a hydraulic auger drive unit with 2" hex output spindle. It may not be used on 3-point hitch diggers.

PN	DESCRIPTION	WT.	PRICE
180606	Python Wire Unroller 2" receiver/trailer hitch connection. Rebar and T-post straightening holes. Wire tensioning hooks. Rubber disc reduces backlash. Accepts most new spools of wire or bundles wound using Python Wire Winder. Toolless operation.	70	\$449.00



REPAIR PARTS & SAFETY SIGNS

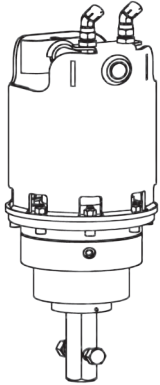
To find repair parts and safety signs, see Danuser's online Parts Catalog at parts.danuser.com. The Parts Catalog includes all current attachment parts and decals in a user-friendly, accessible, and portable format. Be sure to have model and serial number at hand to find the correct items.

F.O.B. FULTON, MISSOURI
Dollars are U.S. Dollars.

Danuser reserves the right to make changes in design, specifications, and prices without notice and without incurring any obligation relating to such changes.



EP AUGER SYSTEMS PRICE SHEET



5-Year Warranty Lifetime covering output pullout

Heavy-duty performance at an exceptional price. Drive units range from 6 - 35 GPM and up to 3,500 PSI with 2" hex output spindles. Mounts are available for skid-steer, front-end loader, backhoe, and excavator.

TO PRICE A COMPLETE SYSTEM:

Drive Units	_____
Hoses & Hyd. Accessories (pg. 2)	_____
Mounts (pgs. 2-3)	_____
Augers & Accessories (pgs. 4-10)	_____
Freight	_____
TOTAL	_____

⚠ WARNING This product can expose you to chemicals known to the State of California to cause cancer and birth defects or other reproductive harm. For more information go to www.P65Warnings.ca.gov/product.

DRIVE UNITS

MODEL EP615

\$2,306.00

Part No.	180405
Approx. Ship Weight (lb.)	139
Maximum Auger Diameter	24"
Hydraulic Flow	6 - 15 GPM
Maximum Hydraulic Pressure	3,500 PSI
Maximum Hydraulic Back Pressure	1,500 PSI
Gearbox Ratio	3.86:1

Vehicle auxiliary flow (GPM)					
6	8	10	12	14	15
36	48	60	73	85	91
Auger bit speed (RPM)					

Vehicle auxiliary pressure (PSI)			
2,000	2,500	3,000	3,500
1,014	1,267	1,520	1,774
Drive unit torque (ft.-lb.)			

MODEL EP1020

\$2,457.00

Part No.	180406
Approx. Ship Weight (lb.)	139
Maximum Auger Diameter	30"
Hydraulic Flow	10 - 20 GPM
Maximum Hydraulic Pressure	3,500 PSI
Maximum Hydraulic Back Pressure	1,500 PSI
Gearbox Ratio	3.86:1

Vehicle auxiliary flow (GPM)					
10	12	14	16	18	20
48	58	68	77	87	97
Auger bit speed (RPM)					

Vehicle auxiliary pressure (PSI)			
2,000	2,500	3,000	3,500
1,270	1,587	1,904	2,222
Drive unit torque (ft.-lb.)			

MODEL EP1530

\$2,560.00

Part No.	180407
Approx. Ship Weight (lb.)	142
Maximum Auger Diameter	36"
Hydraulic Flow	15 - 30 GPM
Maximum Hydraulic Pressure	3,500 PSI
Maximum Hydraulic Back Pressure	1,500 PSI
Gearbox Ratio	3.86:1

Vehicle auxiliary flow (GPM)					
15	18	20	24	28	30
49	59	65	78	92	98
Auger bit speed (RPM)					

Vehicle auxiliary pressure (PSI)			
2,000	2,500	3,000	3,500
1,874	2,342	2,811	3,279
Drive unit torque (ft.-lb.)			

MODEL EP2035

\$2,744.00

Part No.	180408
Approx. Ship Weight (lb.)	150
Maximum Auger Diameter	36"
Hydraulic Flow	20 - 35 GPM
Maximum Hydraulic Pressure	3,500 PSI
Maximum Hydraulic Back Pressure	1,500 PSI
Gearbox Ratio	3.86:1

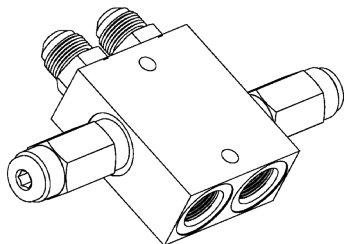
Vehicle auxiliary flow (GPM)					
20	22	26	30	32	35
48	53	63	73	78	85
Auger bit speed (RPM)					

Vehicle auxiliary pressure (PSI)			
2,000	2,500	3,000	3,500
2,529	3,161	3,794	4,426
Drive unit torque (ft.-lb.)			

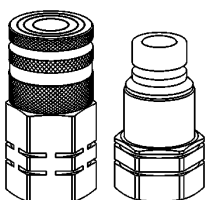
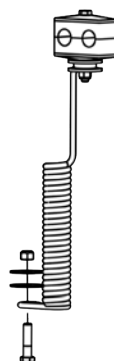


HOSES & HYDRAULIC ACCESSORIES

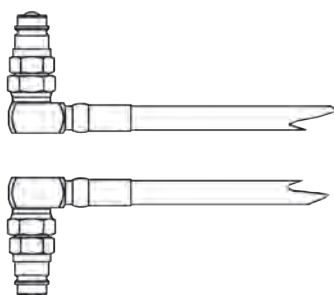
Cross Port Relief Valve



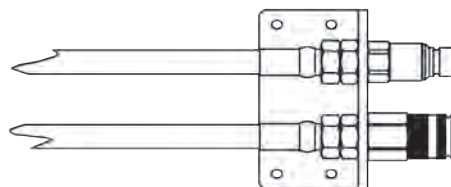
Hose Holder Spring Kit



1/2" flush-face couplers
(ISO 16028)



Front-End Loader
Hose Kit



PN	DESCRIPTION	WT.	PRICE
196035	Cross Port Relief Valve Required for pressures exceeding 3,500 PSI.	7	\$474.00
190172	1/2" Hose Holder Spring Kit Allows adjustment of hose routing to reduce pinching and tugging.	2	\$59.00
196027	1/2" Hose Kit, 108" with Couplers & Abrasion Sleeves Includes 1/2" flush-face couplers (ISO 16028).	12	\$301.00
196025	1/2" Hose Kit, 108" with Abrasion Sleeves Includes fittings. Does not include quick couplers.	9	\$200.00
206032	1/2" Backhoe, Excavator, & Mini-Skid-Steer Hose Kit, 66" with Couplers & Abrasion Sleeves Includes 1/2" flush-face couplers (ISO 16028).	7	\$213.00
206031	1/2" Backhoe, Excavator, & Mini-Skid-Steer Hose Kit, 66" with Abrasion Sleeves Includes fittings. Does not include quick couplers.	5	\$120.00
196056	Front-End Loader Hose Kit 1/2" hoses, 25' long, with 1/2" flush-face couplers (ISO 16028) on one end to connect to 196027 Hose Kit above (sold separately), and ISO 7241 Series A couplers (compatible with ISO 5675 Pioneer couplers) on the opposite end to connect to tractor rear remotes. Includes bolt-on/weld-on mounting bracket.	27	\$521.00



MOUNTS

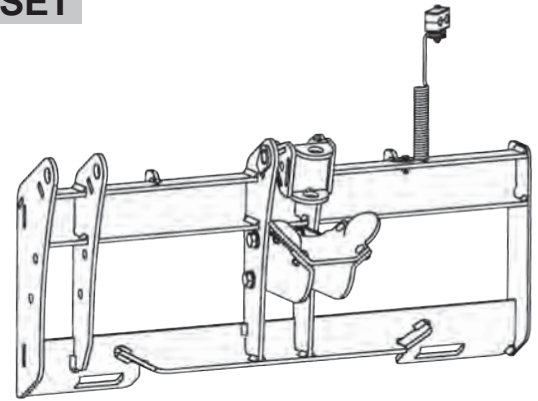
SKID-STEER QUICK ATTACH - CENTER & OFFSET

Mounting Kit attaches the drive unit to skid-steer quick attach with standard 2-pin system and SAE quick couplers. Two mounting positions available allow use with front-end loaders and skid-steers, and two cradle positions for transporting at 15° or 30° angles. **Includes** knuckle, cradle, hose holder spring kit, and hardware.

PN	WT.	PRICE
180415	156	\$621.00
*180415CSE	156	\$675.00

* Fits Case Models 1835B, 1835C, & 1840

PN 180415

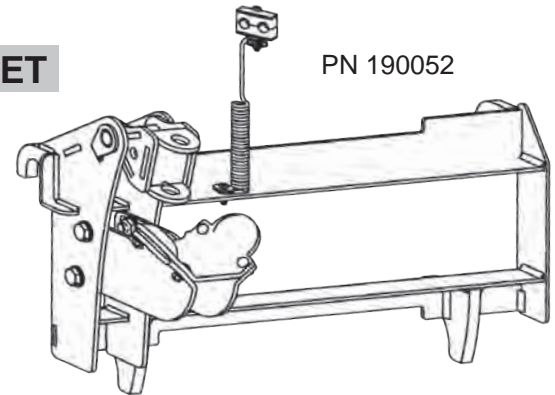


FRONT-END LOADER QUICK ATTACH - OFFSET

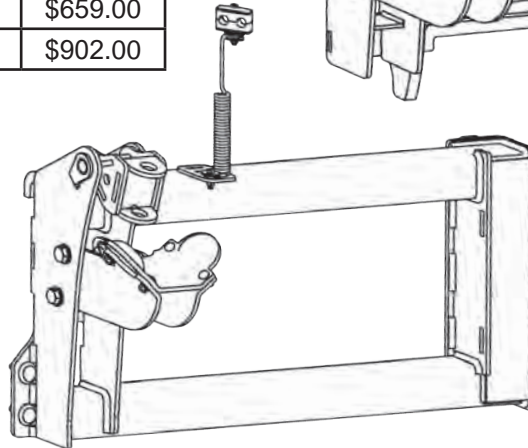
Mounting Kit attaches the drive unit to front-end loader quick attach systems. Two cradle positions for transporting at 15° or 30° angles. **Includes** knuckle, cradle, hose holder spring kit, and hardware.

PN	DESCRIPTION	WT.	PRICE
190052	Euro/Global	108	\$659.00
190053	John Deere 200-500	194	\$902.00

PN 190052



PN 190053

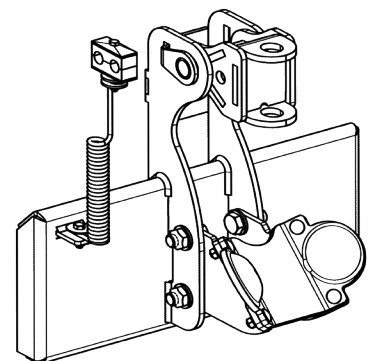


MINI-SKID-STEER QUICK ATTACH - CENTER

Mounting Kit attaches the drive unit to mini-skid-steer quick attach systems. Most vehicles with 72" or greater hinge pin height may use standard 4' length augers. Hinge pin heights 71" or shorter require 3' length augers maximum. **Includes** knuckle, cradle, hose holder spring kit, and hardware.

PN	DESCRIPTION	WT.	PRICE
200185	Mini-Skid-Steer	70	\$449.00
200207	Bobcat MT	104	\$492.00

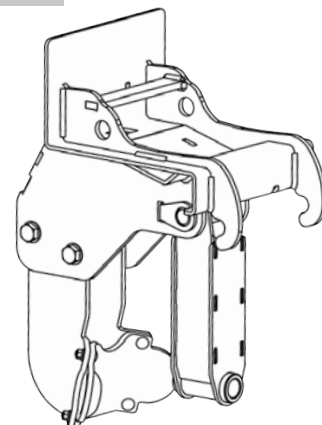
PN 200185



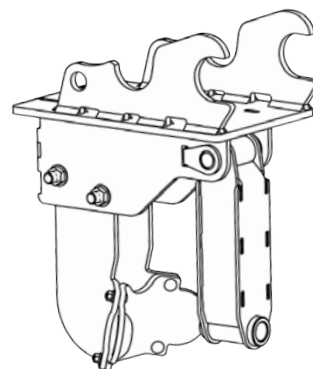
**BACKHOE & EXCAVATOR QUICK ATTACH MOUNTING KITS**

Quick Attach Mounting Kits include cradle.

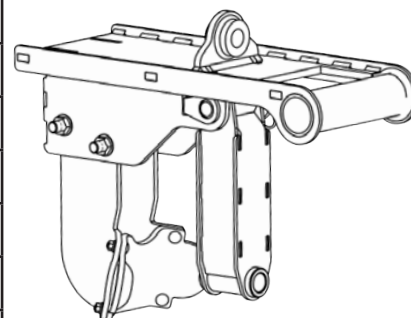
PN	MAKES & MODELS	WT.	PRICE
180565	BOBCAT X-Change	90	\$735.00
180477	CAT 2008-2013 302D, 302.4D, 302.5, 302.5C, 302.7D	80	\$654.00
180484	CAT 305.5E, 304C CR	90	\$881.00
190166	CAT 308, 309	117	\$1053.00
180469	CAT 420D, 420E (pin grabber)	110	\$1053.00
190160	JD 17D, 17G	74	\$654.00
180508	JD 26G, 27D, 30G, 35D, 35G (wedge)	96	\$654.00
180512	JD 50D, 50G, 60G (wedge)	115	\$654.00
190034	JD 310, 410, fits all series except G	115	\$1053.00
*180548	KUBOTA KX057, U55, U48	114	\$654.00
*190156	KUBOTA KX080	154	\$654.00
*180552	KUBOTA U25 & U27	90	\$654.00
*180556	KUBOTA KX141-3, KX-018, U15, U17	109	\$654.00
*180539	KUBOTA KX161-3 & U45	91	\$654.00
*180544	KUBOTA C39/45, KX033-4, KX71-3, KX040, KX91-3, KX121-3, U35	110	\$654.00
210178	SANY SY35U	110	\$881.00
180560	TAG Pin Grabber Style (quick coupler)	74	\$881.00
180572	TAG QC27 Style (quick coupler)	78	\$1,161.00
192008	TAG QC30 Style (quick coupler)	78	\$1,307.00
210161	TAKEUCHI TB250 (pin grabber)	101	\$1,307.00
180533	YANMAR ViO27, ViO35 (quick coupler)	85	\$881.00
180521	YANMAR ViO40, ViO45, ViO50, ViO55 (quick coupler)	85	\$881.00



PN 180565



PN 180544



PN 180572

*** USA models only. Will not fit gray market machines.**

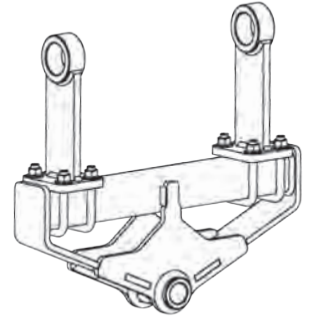
If you do not see your make or model listed, contact Danuser.

CALL FOR PRICE ON CUSTOM MOUNTS



BACKHOE & EXCAVATOR PIN-ON MOUNTING KITS

For dipperstick widths from 3-1/2" to 13". Mounting Kits do not include dipperstick pin.
Not for use on vehicles with stick breakout force greater than 28,250 lb. or vehicle max operating weight greater than 55,000 lb.

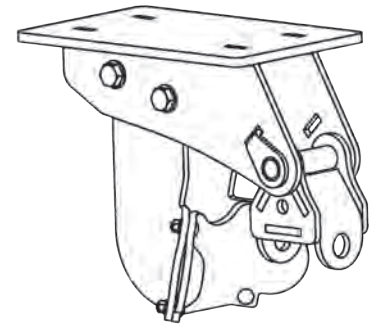


PN	BUCKET PIN DIA.	WT.	PRICE	PN	BUCKET PIN DIA.	WT.	PRICE
180435	1" (25mm)	36	\$411.00	180441	1-5/8"	43	\$611.00
180436	30mm	36	\$411.00	180442	1-3/4"	42	\$611.00
180437	1-1/4"	36	\$411.00	180443	45mm	45	\$611.00
180438	1-3/8" (35mm)	36	\$411.00	180444	50mm	45	\$611.00
180439	1-1/2"	36	\$411.00	180445	2"	45	\$611.00
180440	40mm	38	\$411.00	180446	55mm	41	\$611.00

UNIVERSAL & BOLT-ON MOUNTING KITS

UNIVERSAL MOUNTING KIT

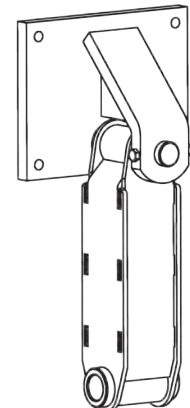
Mounting Kit requires fabrication and welding for installation to machine.
Weldable dimensions are 10" wide and 16" long. Two cradle positions for transporting at 15° or 30° angles.
Includes plate, knuckle, cradle, and hardware.



PN	WT.	PRICE
192015	65	\$449.00

BOLT-ON BUCKET KIT

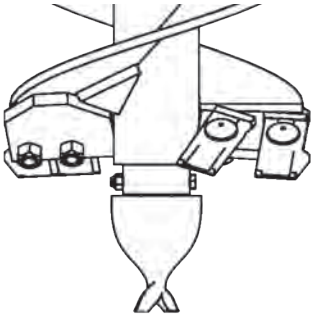
Mounting Kit attaches the drive unit to a flat vertical surface.
Includes plate and knuckle assembly. Does not include bucket mounting hardware.



PN	WT.	PRICE
190203	41	\$384.00



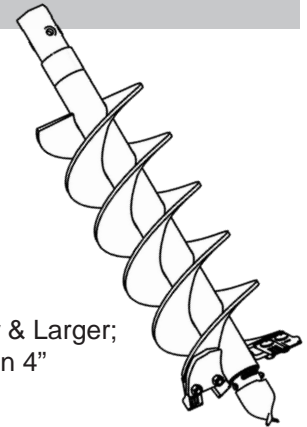
AUGERS & ACCESSORIES



FABRICATED AUGERS (Light-Duty)

Light to Moderate Ground Conditions

- Fabricated Boring Head
- Hardened Bolt-on Teeth (Dirt)
 - Gage Teeth in Outermost Positions
 - Wisdom Teeth in Inner Positions
- Hardened Fishtail Point (Dirt)
- 5/16" Heavy-Duty Double Flighting on 8" Diameter & Larger;
5/16" Single Flighting on 6"; 3/8" Single Flighting on 4"

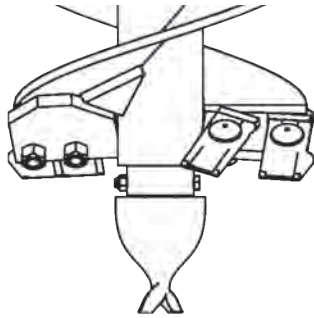


4' Length Augers - STANDARD

DIA.	PRICE	NO. OF TEETH	WT.	2" HEX PN	2-9/16" RD PN	2" RD PN
4"	\$334.00	0	42	10600	10601	10602
6"	\$360.00	2	46	10603	10604	10605
8"	\$505.00	2	78	10606	10607	10608
9"	\$534.00	3	85	10609	10610	10611
10"	\$587.00	3	98	10612	10613	10614
12"	\$606.00	4	115	10615	10616	10617
15"	\$841.00	5	135	10618	10619	10620
16"	\$867.00	5	146	10621	10622	10623
18"	\$981.00	6	170	10624	10625	10626
20"	\$1,213.00	6	182	10627	10628	10629
24"	\$1,260.00	8	211	10630	10631	10632
30"	\$1,566.00	9	272	10633	10634	10635
36"	\$1,974.00	11	365	10636	10637	10638

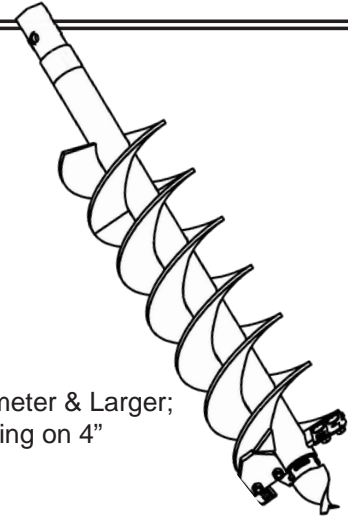
3' Length Augers

DIA.	PRICE	NO. OF TEETH	WT.	2" HEX PN	2-9/16" RD PN	2" RD PN
4"	\$327.00	0	42	10600-3	10601-3	10602-3
6"	\$343.00	2	42	10603-3	10604-3	10605-3
8"	\$482.00	2	57	10606-3	10607-3	10608-3
9"	\$498.00	3	62	10609-3	10610-3	10611-3
10"	\$530.00	3	69	10612-3	10613-3	10614-3
12"	\$553.00	4	78	10615-3	10616-3	10617-3
15"	\$733.00	5	87	10618-3	10619-3	10620-3
16"	\$779.00	5	93	10621-3	10622-3	10623-3
18"	\$817.00	6	106	10624-3	10625-3	10626-3
20"	\$949.00	6	134	10627-3	10628-3	10629-3
24"	\$1,122.00	8	153	10630-3	10631-3	10632-3
30"	\$1,387.00	9	208	10633-3	10634-3	10635-3
36"	\$1,719.00	11	275	10636-3	10637-3	10638-3



FABRICATED AUGERS (Light-Duty)
Light to Moderate Ground Conditions

- Fabricated Boring Head
- Hardened Bolt-on Teeth (Dirt)
 - Gage Teeth in Outermost Positions
 - Wisdom Teeth in Inner Positions
- Hardened Fishtail Point (Dirt)
- 5/16" Heavy-Duty Double Flighting on 8" Diameter & Larger;
5/16" Single Flighting on 6"; 3/8" Single Flighting on 4"



5' Length Augers

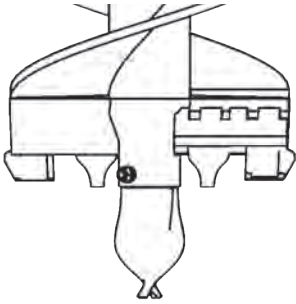
DIA.	PRICE	NO. OF TEETH	WT.	2" HEX PN	2-9/16" RD PN	2" RD PN
4"	\$404.00	0	51	10600-5	10601-5	10602-5
6"	\$482.00	2	51	10603-5	10604-5	10605-5
8"	\$646.00	2	101	10606-5	10607-5	10608-5
9"	\$655.00	3	111	10609-5	10610-5	10611-5
10"	\$748.00	3	126	10612-5	10613-5	10614-5
12"	\$755.00	4	145	10615-5	10616-5	10617-5
15"	\$1,028.00	5	164	10618-5	10619-5	10620-5
16"	\$1,177.00	5	177	10621-5	10622-5	10623-5
18"	\$1,284.00	6	207	10624-5	10625-5	10626-5
20"	\$1,417.00	6	254	10627-5	10628-5	10629-5
24"	\$1,518.00	8	268	10630-5	10631-5	10632-5
30"	\$2,226.00	9	445	10633-5	10634-5	10635-5
36"	\$2,414.00	11	501	10636-5	10637-5	10638-5

6' Length Augers

DIA.	PRICE	NO. OF TEETH	WT.	2" HEX PN	2-9/16" RD PN	2" RD PN
4"	\$453.00	0	60	10600-6	10601-6	10602-6
6"	\$624.00	2	60	10603-6	10604-6	10605-6
8"	\$755.00	2	128	10606-6	10607-6	10608-6
9"	\$779.00	3	141	10609-6	10610-6	10611-6
10"	\$872.00	3	160	10612-6	10613-6	10614-6
12"	\$949.00	4	186	10615-6	10616-6	10617-6
15"	\$1,253.00	5	193	10618-6	10619-6	10620-6
16"	\$1,424.00	5	208	10621-6	10622-6	10623-6
18"	\$1,543.00	6	244	10624-6	10625-6	10626-6
20"	\$1,767.00	6	296	10627-6	10628-6	10629-6
24"	\$2,048.00	8	325	10630-6	10631-6	10632-6
30"	\$2,802.00	9	527	10633-6	10634-6	10635-6
36"	\$3,132.00	11	615	10636-6	10637-6	10638-6



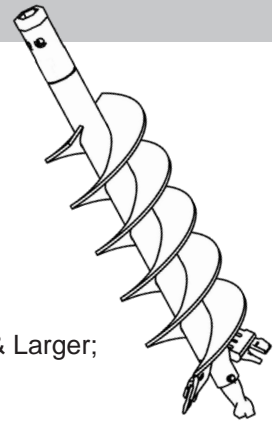
AUGERS & ACCESSORIES



CAST HEAD AUGERS (Heavy-Duty)

Difficult Ground Conditions

- Cast Steel Boring Head
- Hardened Drive-in Teeth (Dirt)
 - Gage Teeth in Outermost Positions
 - Chisel Teeth in Inner Positions
- Hardened Fishtail Point (Dirt)
- 5/16" Heavy-Duty Double Flighting on 8" Diameter & Larger; Single Flighting on 6"

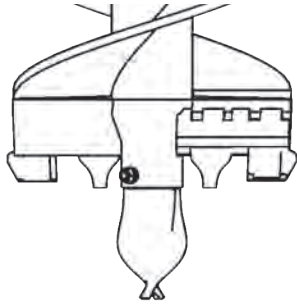


4' Length Augers - STANDARD

DIA.	PRICE	NO. OF TEETH	WT.	2" HEX PN	2-9/16" RD PN	2" RD PN
6"	\$542.00	2	48	10657	10658	10659
8"	\$780.00	4	83	10660	10661	10662
9"	\$841.00	4	89	10663	10664	10665
10"	\$867.00	4	102	10666	10667	10668
12"	\$893.00	4	117	10669	10670	10671
15"	\$1,127.00	6	139	10672	10673	10674
16"	\$1,213.00	6	148	10675	10676	10677
18"	\$1,373.00	6	168	10678	10679	10680
20"	\$1,854.00	6	231	10681	10682	10683
24"	\$1,854.00	8	210	10684	10685	10686
30"	\$2,440.00	10	280	10687	10688	10689
36"	\$2,774.00	12	376	10690	10691	10692
42"	\$3,832.00	16	460	10693	10694	---
48"	\$4,439.00	18	550	10696	10697	---

3' Length Augers

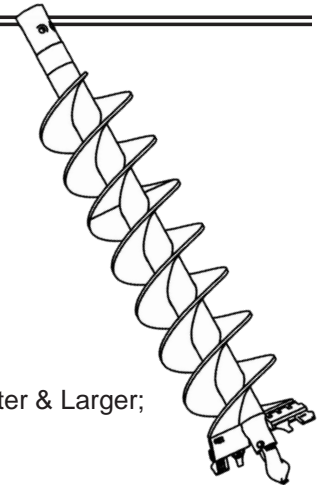
DIA.	PRICE	NO. OF TEETH	WT.	2" HEX PN	2-9/16" RD PN	2" RD PN
6"	\$522.00	2	40	10657-3	10658-3	10659-3
8"	\$709.00	4	67	10660-3	10661-3	10662-3
9"	\$755.00	4	70	10663-3	10664-3	10665-3
10"	\$762.00	4	74	10666-3	10667-3	10668-3
12"	\$801.00	4	81	10669-3	10670-3	10671-3
15"	\$1,014.00	6	90	10672-3	10673-3	10674-3
16"	\$1,066.00	6	96	10675-3	10676-3	10677-3
18"	\$1,200.00	6	108	10678-3	10679-3	10680-3
20"	\$1,612.00	6	122	10681-3	10682-3	10683-3
24"	\$1,633.00	8	154	10684-3	10685-3	10686-3
30"	\$2,135.00	10	209	10687-3	10688-3	10689-3
36"	\$2,263.00	12	276	10690-3	10691-3	10692-3
42"	\$3,515.00	16	416	10693-3	10694-3	---
48"	\$4,021.00	18	306	10696-3	10697-3	---



CAST HEAD AUGERS (Heavy-Duty)

Difficult Ground Conditions

- Cast Steel Boring Head
- Hardened Drive-in Teeth (Dirt)
 - Gage Teeth in Outermost Positions
 - Chisel Teeth in Inner Positions
- Hardened Fishtail Point (Dirt)
- 5/16" Heavy-Duty Double Flighting on 8" Diameter & Larger; Single Flighting on 6"



5' Length Augers

DIA.	PRICE	NO. OF TEETH	WT.	2" HEX PN	2-9/16" RD PN	2" RD PN
6"	\$678.00	2	62	10657-5	10658-5	10659-5
8"	\$872.00	4	121	10660-5	10661-5	10662-5
9"	\$920.00	4	125	10663-5	10664-5	10665-5
10"	\$1,044.00	4	143	10666-5	10667-5	10668-5
12"	\$1,066.00	4	158	10669-5	10670-5	10671-5
15"	\$1,231.00	6	167	10672-5	10673-5	10674-5
16"	\$1,262.00	6	180	10675-5	10676-5	10677-5
18"	\$1,401.00	6	209	10678-5	10679-5	10680-5
20"	\$1,924.00	6	241	10681-5	10682-5	10683-5
24"	\$2,064.00	8	269	10684-5	10685-5	10686-5
30"	\$2,679.00	10	374	10687-5	10688-5	10689-5
36"	\$2,895.00	12	502	10690-5	10691-5	10692-5
42"	\$4,644.00	16	611	10693-5	10694-5	---
48"	\$5,667.00	18	765	10696-5	10697-5	---

6' Length Augers

DIA.	PRICE	NO. OF TEETH	WT.	2" HEX PN	2-9/16" RD PN	2" RD PN
6"	\$739.00	2	70	10657-6	10658-6	10659-6
8"	\$974.00	4	138	10660-6	10661-6	10662-6
9"	\$1,021.00	4	140	10663-6	10664-6	10665-6
10"	\$1,090.00	4	146	10666-6	10667-6	10668-6
12"	\$1,114.00	4	189	10669-6	10670-6	10671-6
15"	\$1,355.00	6	196	10672-6	10673-6	10674-6
16"	\$1,598.00	6	212	10675-6	10676-6	10677-6
18"	\$1,619.00	6	246	10678-6	10679-6	10680-6
20"	\$2,141.00	6	284	10681-6	10682-6	10683-6
24"	\$2,312.00	8	327	10684-6	10685-6	10686-6
30"	\$3,145.00	10	529	10687-6	10688-6	10689-6
36"	\$3,380.00	12	616	10690-6	10691-6	10692-6
42"	\$5,879.00	16	791	10693-6	10694-6	---
48"	\$7,803.00	18	994	10696-6	10697-6	---

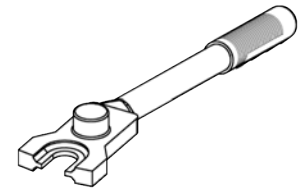
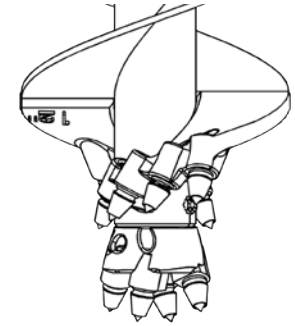


BULLET ROCK AUGERS

Rock, Concrete, Asphalt,
and Frozen Ground

4' Length Augers

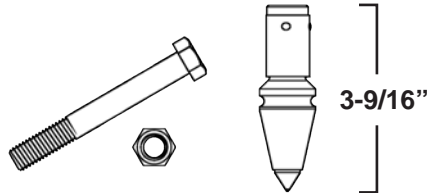
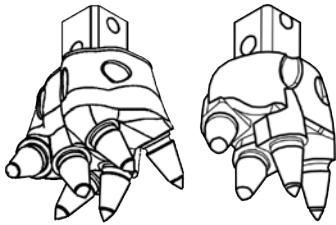
DIA.	PRICE	NO. OF TEETH	PILOT	WT.	2" HEX PN	2-9/16" RD PN
4.5"	\$1,224.00	4	---	73	200152	200153
6"	\$1,832.00	6	6-tooth	66	200155	200156
8"	\$2,074.00	8	4-tooth	94	200158	200159
9"	\$2,105.00	10	4-tooth	103	200161	200162
10"	\$2,159.00	10	4-tooth	113	200164	200165
12"	\$2,369.00	12	4-tooth	135	200167	200168
15"	\$2,721.00	14	4-tooth	171	200170	200171
18"	\$2,983.00	16	4-tooth	208	200173	200174
24"	\$3,555.00	20	4-tooth	291	200176	200177
30"	\$3,928.00	24	4-tooth	340	200179	200180
36"	\$4,451.00	28	4-tooth	395	200182	200183



Bullet Tooth Hammer & Puller
PN 10766 \$335.00

Bolt-on Pilot Style Parts

Screw-in Pilot Style Parts

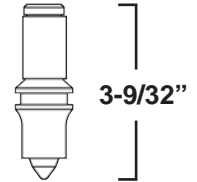


Bullet Tooth & Pilot Hardware

6-tooth	PN 200251	\$784.00	Tooth	PN 200281	\$31.00
4-tooth	PN 200192	\$582.00	Pilot Nut	PN 7733	\$0.32
			Pilot Bolt	PN 10123	\$1.44



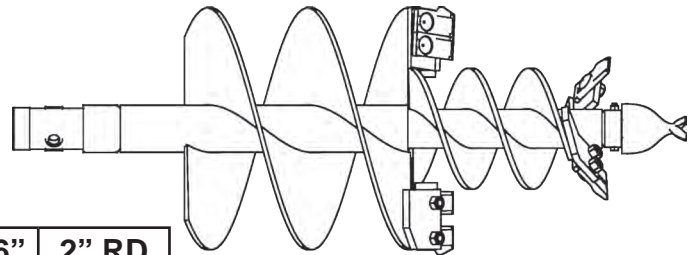
Bullet Rock Pilot (Screw-in)
PN 10758 \$563.00



Bullet Tooth
PN 10759 \$31.00

TREE AUGERS

Tree and Shrub Planting
4' Length Augers



DIA.	PRICE	NO. OF TEETH	WT.	2" HEX PN	2-9/16" RD PN	2" RD PN
18"-9"	\$921.00	7	130	10639	10640	10641
24"-12"	\$1,215.00	10	186	10642	10643	10644
30"-15"	\$1,514.00	11	228	10645	10646	10647
36"-18"	\$1,819.00	13	304	10648	10649	10650

- Fabricated Boring Head
- Hardened Bolt-on Teeth (Dirt)
 - Gage Teeth in Outermost Positions
 - Wisdom Teeth in Inner Positions
- Hardened Fishtail Point (Dirt)
- 5/16" Heavy-Duty Double Flighting



AUGER POINTS, TEETH, HARDWARE

Dirt = D
Hardfaced = HF
Carbide = C



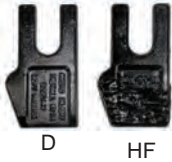
4" Auger Point
PN 10333D \$77.00
PN 10333HF \$125.00
PN 10333C \$231.00



Fishtail Point
PN 10331D \$41.00
PN 10331HF \$88.00
PN 10331C \$217.00



Point Hardware
(Fab, Cast, Wobble, Tree)
Nut PN 10412 \$0.40
Bolt PN 10413 \$0.87
Bolt for 4" PN 10416 \$0.35



Gage Tooth
PN 10340D \$6.84
PN 10340HF \$14.50



Wisdom Tooth
PN 10337D \$6.84
PN 10337HF \$14.50
PN 10337C \$40.00



Chisel Tooth
PN 10342D \$6.84
PN 10342HF \$16.02
PN 10342C \$31.00



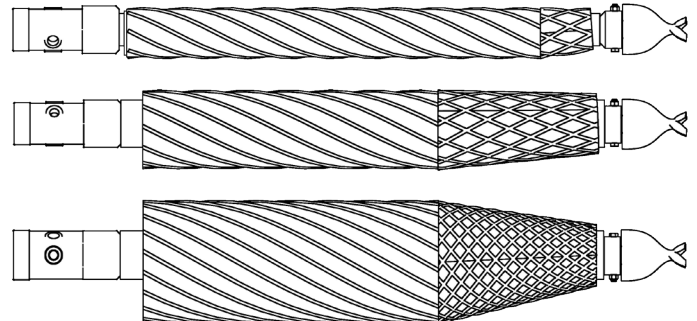
Tooth Hardware
(for Fab Augers) Bolt
PN 10410 \$2.05 Nut
PN 10411 \$0.81

WOBBLE AUGERS *Don't Dig - WOBBLE!*

Wobble Augers redefine hole digging: dig cleaner, work faster.

Unlike traditional flighted augers, Danuser's patented Wobble Auger digs through tough ground conditions without leaving a dirt pile mess at the top or bottom of the hole.

- Pushes through dirt, sand, clay, asphalt, compacted and embedded rock, and frozen ground
- Rotates off-center to "wobble" a compacted hole
- Ideal for setting posts in concrete
- Won't leave excess loose material to clean up
- Eliminates extra time on the job and reduces labor costs
- Spiral & Checkered Hardfacing and hardened Fishtail Point (Dirt)
- Not for use on 3-point hitch mounted diggers.



4' Length Wobble Augers

Points

DIA.	PRICE	WT.	2" HEX PN	2-9/16" RD PN	2" RD PN	PN	DESCRIPTION	PRICE
4"	\$469.00	58	20600	20601	20602	10331D	Dirt	\$41.04
6"	\$593.00	86	20603	20604	20605	10331HF	Hardfaced	\$88.00
9"	\$907.00	122	20606	20607	20608	10331C	Carbide	\$217.00

NOTE: The 9" Wobble Auger should be used on a machine with an Operating Load or Rated Operating Capacity of 2,250 lb. or greater, utilizing an auger drive with 2,000 ft.-lb. of torque or greater.

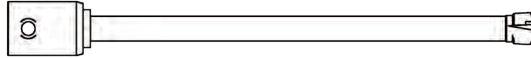


2" ROCK DRILL

T-Post & Pilot Holes

3' Length Augers

For pilot holes or setting posts up to 2" O.D. in solid rock

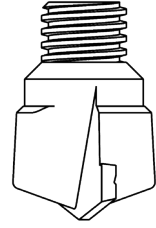


DIA.	PRICE	WT.	2" HEX PN	2-9/16" RD PN	2" RD PN
2"	\$467.00	30	10739	10743	10744

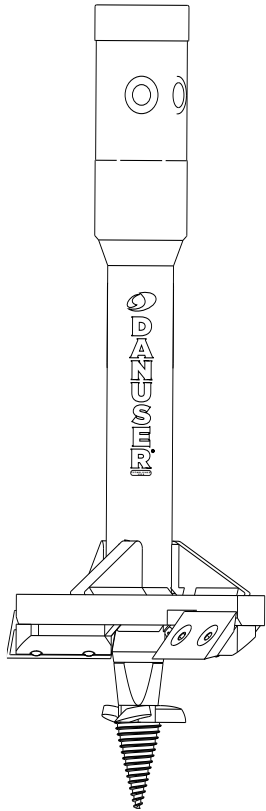
2" Rock Drill Pilot

PN 10745

List Price: \$155.00

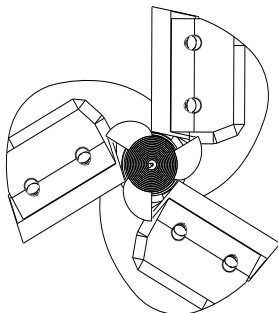


STUMP AUGERS



The stump auger planes away stumps without requiring large, specialized equipment. A threaded pilot digs into the stump and large cutting blades then shave the stump away. The large cutting blades are reversible for more cutting life. Complete stump removal is achieved by overlapping planning locations.

- 2" hex collar
- Hardened steel cutting blades
 - Reversible/indexable for more cutting per blade
- Hardened steel pilot with cutting blades
- 10" and 16" diameter options
- 10" for use with 1,700 ft.-lb. of torque and higher drive units, 16" for use with 3,000 ft.-lb. of torque and higher drive units
- Overall length
 - 27" for both sizes



PN	DESCRIPTION	WT.	PRICE
190127	Stump Auger - 10" for use on EP1020 and larger	50	\$945.00
200199	Stump Auger - 16" for use on EP1530 and larger	70	\$1,080.00



ADAPTERS

Connect Danuser drive units to other augers or Danuser augers to other drive units.



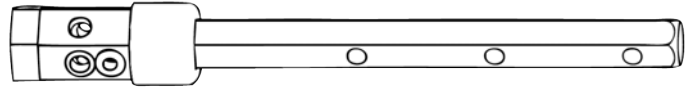
DRIVE UNIT	AUGER	PRICE	WT.	PN
2" Hex	2-9/16" Rd.	\$312.00	18	10921
2" Hex	2" Rd.	\$287.00	18	10922
2-9/16" Rd.	2" Hex	\$187.00	14	10923
2-9/16" Rd.	2" Rd.	\$199.00	12	10924
2" Rd.	2" Hex	\$170.00	12	10925
2" Rd.	2-9/16" Rd.	\$189.00	11	10926

DRIVE UNIT	AUGER	PRICE	WT.	PN
2" Hex	2-9/16" Rd.	\$213.00	18	*20211
2-9/16" Rd.	2-9/16" Rd.	\$213.00	15	*20212
2" Hex	2" Rd.	\$213.00	18	*20214
2-9/16" Rd.	2" Rd.	\$213.00	12	*20215

*Allows attachment of augers with 1/2" diameter bolt.

VARIABLE LENGTH EXTENSIONS

Variable length auger extensions store inside the center columns of some augers. For Bullet Rock Augers, minimum diameter is 6". For Fab, Cast, and Tree Augers, minimum diameter is 10".



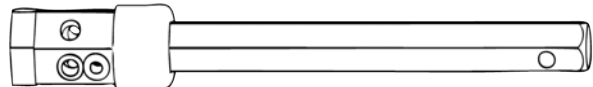
Extension increments are every 6" on 12" - 24" auger extensions and every 12" on 48" - 72" auger extensions.

2-9/16" Round

2" Hex				2-9/16" Round				2" Round			
LENGTH	PRICE	WT.	PN	LENGTH	PRICE	WT.	PN	LENGTH	PRICE	WT.	PN
24"	\$313.00	32	10900	12"	\$229.00	22	10903	24"	\$229.00	24	10907
48"	\$430.00	56	10901	24"	\$320.00	38	10904	48"	\$320.00	46	10908
72"	\$560.00	84	10902	48"	\$444.00	73	10905	72"	\$443.00	66	10909
				72"	\$590.00	84	10906				

FIXED LENGTH EXTENSIONS

Fixed length auger extensions extend the auger's digging depth by the length of the extension.



2" Hex				2-9/16" Round				2" Round			
LENGTH	PRICE	WT.	PN	LENGTH	PRICE	WT.	PN	LENGTH	PRICE	WT.	PN
12"	\$226.00	20	10910	12"	\$226.00	38	10914	24"	\$212.00	25	10918
24"	\$275.00	32	10911	24"	\$275.00	40	10915	48"	\$294.00	47	10919
48"	\$386.00	56	10912	48"	\$386.00	76	10916	72"	\$404.00	68	10920
72"	\$506.00	84	10913	72"	\$534.00	110	10917				

REPAIR PARTS & SAFETY SIGNS

To find repair parts and safety signs, see Danuser's online Parts Catalog at parts.danuser.com. The Parts Catalog includes all current attachment parts and decals in a user-friendly, accessible, and portable format. Be sure to have model and serial number at hand to find the correct items.

F.O.B. FULTON, MISSOURI
Dollars are U.S. Dollars.

Danuser reserves the right to make changes in design, specifications, and prices without notice and without incurring any obligation relating to such changes.



AGRICULTURAL AUGER BITS, ADAPTERS, EXTENSIONS, & CONVERSION KITS PRICE SHEET

WARNING This product can expose you to chemicals known to the State of California to cause cancer and birth defects or other reproductive harm. For more information go to www.P65Warnings.ca.gov/product.

F-SERIES CONVERSIONS

PN	DESCRIPTION	WT	PRICE	
20050	<p>Conversion Kit <u>NET PRICE</u></p> <p>Converts any Danuser F-Series Digger to current production standards. Includes ring gear, pinion, pinion bearing, input guard, gaskets, grease seals, complete guarded driveline all the way to the tractor, auger adapter guard, a SMV (slow moving vehicle) kit with hardware, and an operator's manual canister with hardware.</p> <p>This kit is required on all F-Series diggers with serial numbers prior to 60000.</p> <p>NOTE: welding will be required. <u>NET PRICE</u></p>	72	\$786.00	
20060	<p>Conversion Kit</p> <p>Converts certain Danuser F8 Diggers to current production standards. Includes ring gear, pinion, pinion bearing, input guard, gasket, grease seals, all driveline parts out through the center cross at the U-Joint on the gearbox, auger adapter guard, a SMV (slow moving vehicle) kit with hardware, and an operator's manual canister with hardware.</p> <p>This kit is required on all F8 diggers with serial numbers ranging from 60001 to 71199.</p> <p>NOTE: welding will be required.</p>	36	\$532.00	

G20/40 CONVERSION

PN	DESCRIPTION	WT	PRICE	
20070	<p>Guard Kit <u>NET PRICE</u></p> <p>Furnished as part of the J20/80 & G20/40 Digger Gearboxes. Includes input guard, auger adapter guard, a SMV (slow moving vehicle) kit with hardware, and an operator's manual canister with hardware.</p> <p>This kit is required on all G20/40 diggers with serial numbers prior to 11152.</p>	25	\$136.00	



KEY

(#) Indicates augers with 3-5/8" center columns. If the customer's digger has a factory-installed 7270 auger adapter guard, it will cover all 2-3/8" center column augers. ADDITIONALLY, the customer will need (2) 9542 auger adapter shields when using 3-5/8" center column augers. **Required** on F8 machines with SN 80999 and below.

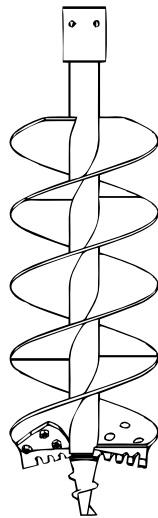
AVAIL Call Danuser for availability & pricing

2-9/16" ROUND AUGERS

Double Flight

40" Hole Depth
(Plain Edges)

DIA	PN	WT	PRICE
4"	450	25	\$449.00
6"	417	39	\$494.00
9"	1551	46	\$507.00
10"	288	51	\$544.00
12"	412	62	\$578.00
14"	451	75	\$666.00
16"	7650	84	\$789.00
18"	1275	87	\$916.00
24"	1270	94	\$915.00
30"	7857	133	\$1,368.00
36"	9618	169	\$2,008.00



488 12" auger

40" Hole Depth
(Serrated Edges)

DIA	PN	WT	PRICE
4"	---	---	---
6"	---	---	---
9"	1552	46	\$516.00
10"	487	51	\$553.00
12"	488	62	\$585.00
14"	489	77	\$679.00
16"	7665	84	\$793.00
18"	1276	88	\$924.00
24"	1272	94	\$1,003.00
30"	7935	135	\$1,386.00
36"	9614	182	\$2,017.00

40" Hole Depth
(Hole Digger Head)

DIA	PN	WT	PRICE
4"	---	---	---
6"	---	---	---
9"	---	---	---
10"	---	---	---
12"	9316	69	AVAIL
14"	9317	85	AVAIL
16"	---	---	---
18"	9319	125	AVAIL
24"	(#) 9320	153	AVAIL
30"	(#) 9321	207	AVAIL
36"	---	---	---

NOTE: PN 9618 and PN 9614 have 30" and 9" cutting edges.

52" Hole Depth
(Plain Edges)

DIA	PN	WT	PRICE
9"	7476	60	\$602.00
10"	7478	67	\$640.00
12"	7419	83	\$724.00
14"	7437	101	\$828.00
16"	7661	116	\$989.00

52" Hole Depth
(Serrated Edges)

DIA	PN	WT	PRICE
9"	7497	60	\$604.00
10"	7498	68	\$643.00
12"	7499	84	\$734.00
14"	7519	103	\$836.00
16"	7734	118	\$1,002.00

52" Hole Depth
(Hole Digger Head)

DIA	PN	WT	PRICE
9"	---	---	---
10"	---	---	---
12"	9324	92	AVAIL
14"	9325	112	AVAIL
16"	---	---	---



KEY

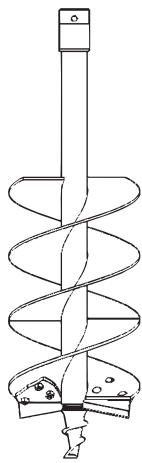
AVAIL Call Danuser for availability & pricing

2" ROUND AUGERS

Double Flight

**40" Hole Depth
(Plain Edges)**

DIA	PN	WT	PRICE
4"	6101	19	\$323.00
6"	6029	29	\$344.00
9"	6030	39	\$407.00
12"	6032	51	\$479.00
14"	6034	65	\$574.00
16"	6036	69	\$671.00
18"	6038	65	\$735.00
24"	6040	91	\$847.00



6032 12" auger

**40" Hole Depth
(Serrated Edges)**

DIA	PN	WT	PRICE
4"	---	---	---
6"	---	---	---
9"	6031	38	\$410.00
12"	6033	51	\$485.00
14"	6035	61	\$580.00
16"	6037	69	\$685.00
18"	6039	67	\$746.00
24"	6041	90	\$863.00

**40" Hole Depth
(Hole Digger Head)**

DIA	PN	WT	PRICE
4"	---	---	---
6"	---	---	---
9"	---	---	---
12"	6123	59	AVAIL
14"	6124	72	AVAIL
16"	---	---	---
18"	6358	97	AVAIL

2-9/16" ROUND STEPPED & ORCHARD AUGERS

Double Flight for Tree Planting or Landscaping Applications

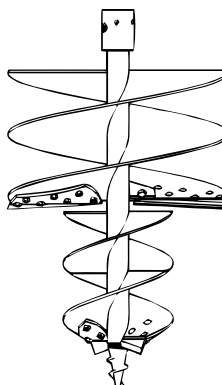
**33" Hole Depth
(Plain Edges)**

DIA	PN	WT	PRICE
18" x 10"	9611	64	\$858.00

**40" Hole Depth
(Plain Edges)**

DIA	PN	WT	PRICE
24" x 12"	9612	120	\$1,025.00
30" x 16"	9613	169	\$1,415.00

9612 24" x 12" stepped auger



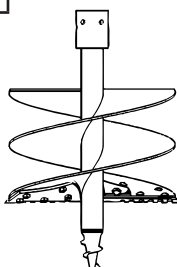
**33" Hole Depth
(Serrated Edges)**

DIA	PN	WT	PRICE
18" x 10"	9615	75	\$876.00

**40" Hole Depth
(Serrated Edges)**

DIA	PN	WT	PRICE
24" x 12"	9616	119	\$1,063.00
30" x 16"	9617	168	\$1,454.00

9850 18" orchard auger



**29" Hole Depth
(Serrated Edges)**

DIA	PN	WT	PRICE
18"	9850	64	\$722.00
24"	9849	89	\$821.00



2" ROUND STEPPED & ORCHARD AUGERS

Double Flight
Tree Planting or Landscaping Applications

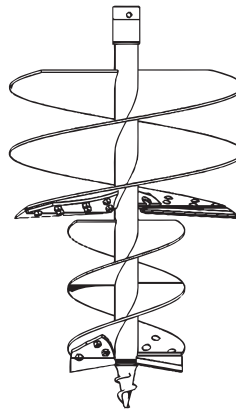
33" Hole Depth (Plain Edges)

DIA	PN	WT	PRICE
18" x 10"	6240	73	\$734.00

40" Hole Depth (Plain Edges)

DIA	PN	WT	PRICE
24" x 12"	6241	113	\$915.00
30" x 16"	6242	165	\$1,303.00

6242 30" x 16"
stepped auger



33" Hole Depth (Serrated Edges)

DIA	PN	WT	PRICE
18" x 10"	6248	72	\$742.00

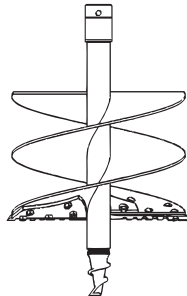
40" Hole Depth (Serrated Edges)

DIA	PN	WT	PRICE
24" x 12"	6249	113	\$933.00
30" x 16"	6250	165	\$1,331.00

29" Hole Depth (Serrated Edges)

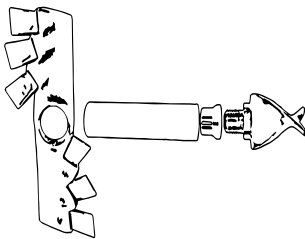
DIA	PN	WT	PRICE
18"	6256	62	\$641.00
24"	6255	86	\$722.00

6256 18" orchard auger



HOLE DIGGER HEADS

With removable teeth for field welding to plain and serrated augers



9309 Hole Digger Head

DIA	PN	WT	PRICE
6"	---	---	---
9"	---	---	---
10"	---	---	---
12"	9308	21	AVAIL
14"	9309	24	AVAIL

DIA	PN	WT	PRICE
16"	---	---	---
18"	9311	29	AVAIL
24"	9312	35	AVAIL
30"	9313	42	AVAIL
36"	---	---	---



EXTENSIONS AND GUARDS

KEY

(a) Includes Auger Adapter Guard

AUGER EXTENSIONS - 2-9/16" ROUND

Shipped with auger extension guards

PN	DESCRIPTION	SIZE	WT	PRICE
(a) 1849G	Auger Extension SN 80999 & below	7"	30	\$280.00
20067	Auger Extension SN 81000 & above	7"	25	\$210.00
7494G	Auger Extension	14"	34	\$246.00
7663G	Auger Extension	21"	44	\$293.00
9486G	Auger Extension	48"	79	\$448.00
9489G	Auger Extension	72"	115	\$550.00

AUGER EXTENSION GUARDS

For older extensions without auger extension guards

PN	DESCRIPTION	WT	PRICE
(a) 6271	Extension Guard <u>NET PRICE</u> For use with 2-9/16" round and 2" hex, 7" extension	14	\$66.00
6272	Extension Guard <u>NET PRICE</u> For use with 2-9/16" round and 2" hex, 14" extension and longer	6	\$26.00

AUGER EXTENSIONS - 2" ROUND

Shipped with auger extension guards

PN	DESCRIPTION	SIZE	WT	PRICE
6080G	Auger Extension	7"	13	\$152.00
6204G	Auger Extension	14"	24	\$201.00
6207G	Auger Extension	21"	30	\$231.00

AUGER EXTENSION GUARDS

For older extensions without auger extension guards

PN	DESCRIPTION	WT	PRICE
6269	Extension Guard <u>NET PRICE</u> For use with 2" round, 7" extension	3	\$20.00
6270	Extension Guard <u>NET PRICE</u> For use with 2" round, 14" extension	6	\$26.00

REPAIR PARTS & SAFETY SIGNS

To find repair parts and safety signs, see Danuser's online Parts Catalog at parts.danuser.com.

The Parts Catalog includes all current attachment parts and decals in a user-friendly, accessible, and portable format.

Be sure to have model and serial number at hand to find the correct items.

F.O.B. FULTON, MISSOURI

Dollars are U.S. Dollars.

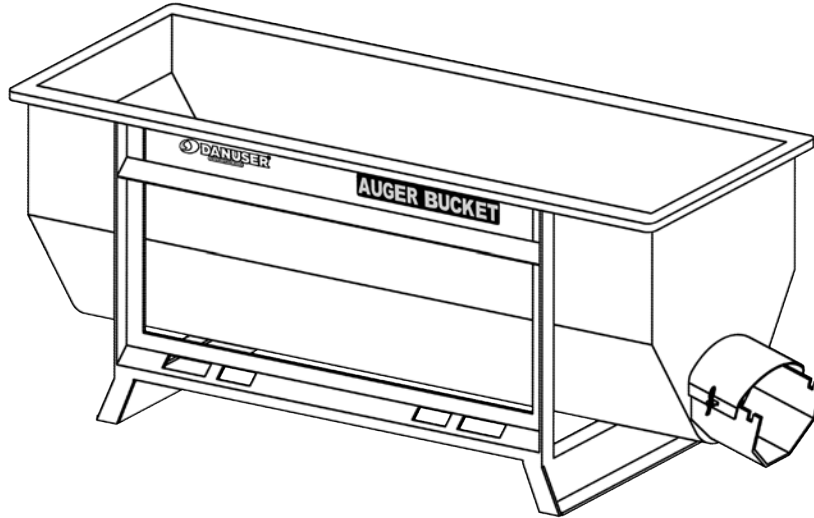
Danuser reserves the right to make changes in design, specifications, and prices without notice and without incurring any obligation relating to such changes.



AUGER BUCKET PRICE SHEET

1-Year Warranty

⚠ WARNING This product can expose you to chemicals known to the State of California to cause cancer and birth defects or other reproductive harm. For more information go to www.P65Warnings.ca.gov/product.



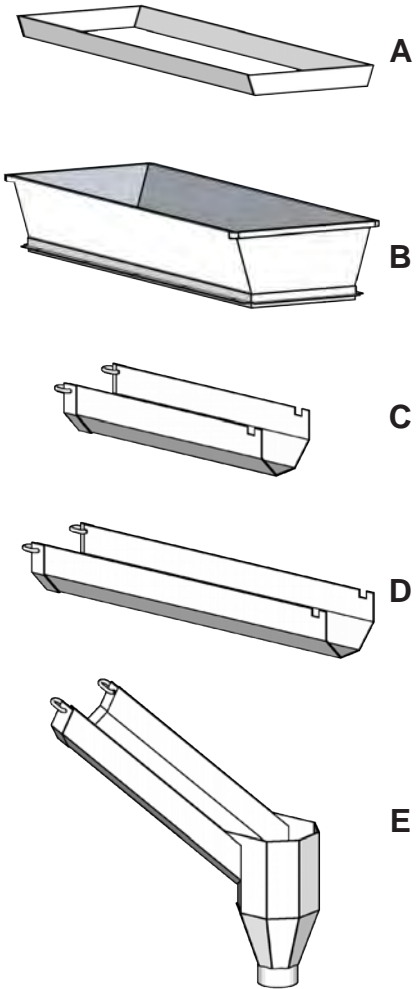
NOTE: If using dry materials or low slump concrete, PN 11063 steel auger must be purchased and used in place of the rubber-flighted auger (see pg. 2).

PN	DESCRIPTION	WT.	PRICE
11000	Auger Bucket Model 3110 - DISCHARGE Rubber-flighted discharge auger for dispensing concrete, agricultural grains, and wildlife feed. Includes multi-linked chutes (24" & 36" long) and 7' length hoses with 1/2" flush-face couplers (ISO 16028).	404	\$6,124.00
11001	Auger Bucket Model 3120 - MIXING Rubber-flighted mixing and discharge auger for mixing and dispensing concrete, agricultural grains, and wildlife feed. Includes multi-linked chutes (24" & 36" long) and 7' length hoses with 1/2" flush-face couplers (ISO 16028).	404	\$6,556.00
11002	Auger Bucket Model 3210 - DISCHARGE w/ HEAVY SERVICE MOTOR Rubber-flighted discharge auger with heavy service high temperature motor for dispensing heavy materials in extreme applications. Includes multi-linked chutes (24" & 36" long) and 7' length hoses with 1/2" flush-face couplers (ISO 16028).	417	\$6,507.00
11003	Auger Bucket Model 3220 - MIXING w/ HEAVY SERVICE MOTOR Rubber-flighted mixing and discharge auger with heavy service high temperature motor for mixing and dispensing heavy materials in extreme applications. Includes multi-linked chutes (24" & 36" long) and 7' length hoses with 1/2" flush-face couplers (ISO 16028).	430	\$6,810.00
11004	Auger Bucket Model 3131 - SANDBAGGING Steel discharge auger for dispensing sand. Includes scraper blade to allow loading loose materials from pile, multi-linked chutes (24" & 36" long), and 7' length hoses with 1/2" flush-face couplers (ISO 16028).	456	\$6,896.00
11005	Auger Bucket Model 3230 - ASPHALT Steel discharge auger with heavy service high temperature motor for dispensing heavy materials in extreme applications. Includes multi-linked chutes (24" & 36" long) and 7' length hoses with 1/2" flush-face couplers (ISO 16028).	430	\$7,074.00



AUGER BUCKET ACCESSORIES

REF.	PN	DESCRIPTION	WT.	PRICE
A	11015	Scraper Blade Allows loading loose materials from a pile. NOTE: Welding will be required.	55	\$453.00
B	11017	Hopper Extension Bolts to Auger Bucket to expand capacity from 1/2 yard to 3/4 yard. Includes hardware.	102	\$779.00
C	11019	24" Chute 2' chutes can be linked to extend.	17	\$278.00
D	11020	36" Chute 3' chutes can be linked to extend.	25	\$292.00
E	11021	Funnel with 4" Hose Adapter May be combined with 24" or 36" chute. Allows precision discharge with 4" hose (not included).	25	\$767.00
--	11046	Rubber-Flighted Discharge Auger Assembly	38	\$1,034.00
--	11047	Rubber-Flighted Mixing Auger Assembly	38	\$1,034.00
--	11063	Steel Auger Assembly NOTE: Must use for asphalt and dry materials.	38	\$880.00
--	11049	Rubber Flight Replacement Kit Discharge (4 bolts per flight)	11	\$327.00
--	11050	Rubber Flight Replacement Kit Mixing (7 bolts per flight)	12	\$400.00



REPAIR PARTS & SAFETY SIGNS

To find repair parts and safety signs, see Danuser's online Parts Catalog at parts.danuser.com.

The Parts Catalog includes all current attachment parts and decals in a user-friendly, accessible, and portable format.

Be sure to have model and serial number at hand to find the correct items.

F.O.B. FULTON, MISSOURI

Dollars are U.S. Dollars.

Danuser reserves the right to make changes in design, specifications, and prices without notice and without incurring any obligation relating to such changes.

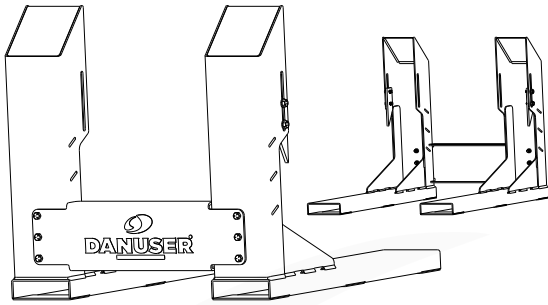


DISPLAY STANDS PRICE SHEET

These items are net priced (no discount).

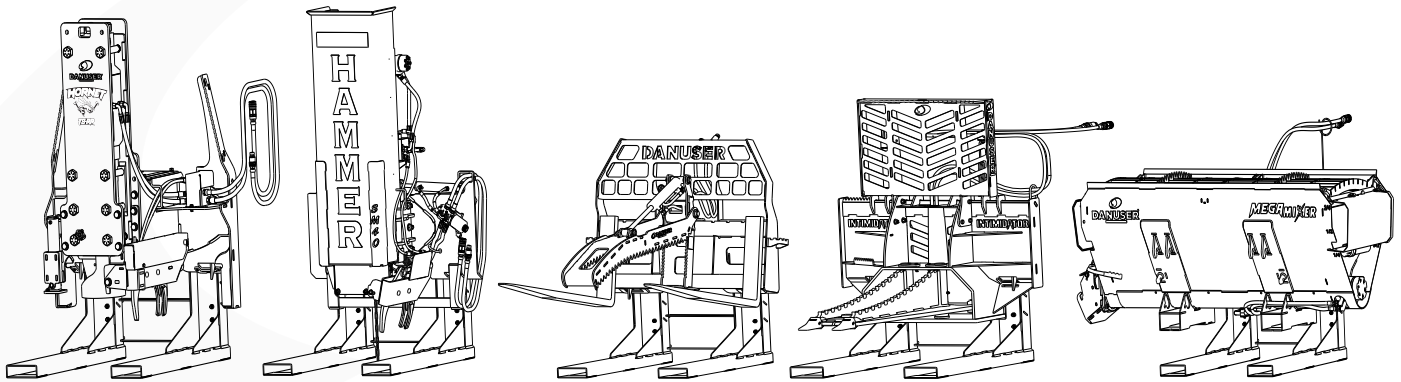
⚠ WARNING This product can expose you to chemicals known to the State of California to cause cancer and birth defects or other reproductive harm. For more information go to www.P65Warnings.ca.gov/product.

NOTE: Display stands do not include attachments, mounts, augers, or accessories.



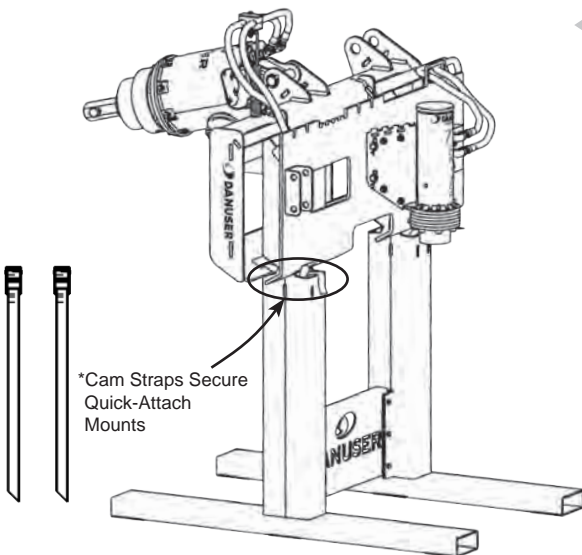
SINGLE SIDED SKID-STEER DISPLAY STAND

PN	DESCRIPTION	WT.	NET PRICE
210230	SM40, LM40, CB40 Hammer, Hornet, Mega Mixer, Intimidator, Multi-Purpose Grapple, and Auger Bucket Display Stand	160	\$243.00
21260	EM40 Hammer Display Stand (Not Pictured)	140	\$285.00

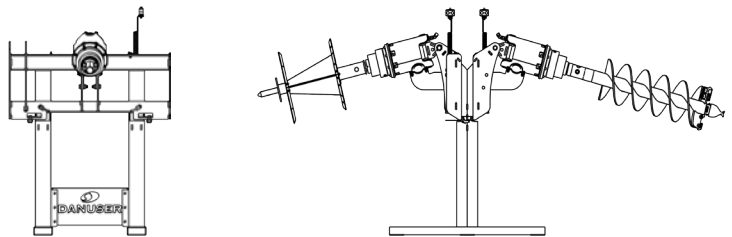


DOUBLE SIDED SKID-STEER DISPLAY STAND

PN	DESCRIPTION	WT.	NET PRICE
20029	Skid-Steer Display Stand Danuser EP Auger Systems and T3 Driver only. Includes two cam straps* to secure mounts.	176	\$243.00



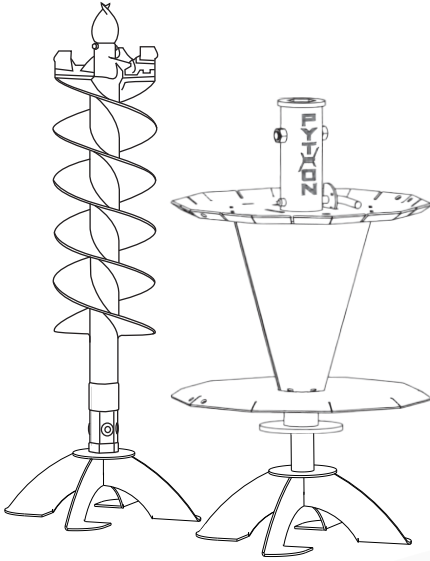
*Cam Straps Secure Quick-Attach Mounts



*Cam Straps Secure Two Mounts Together on Stand, or May Be Used to Secure a Single Mount.

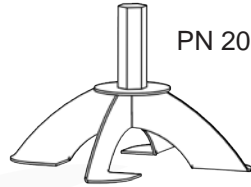


AUGER DISPLAY STAND

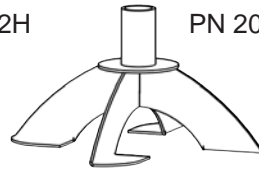


PN	DESCRIPTION	WT.	NET PRICE
20021-2H	2" Hex Auger Display Stand	12	\$42.00
20021-256R	2-9/16" Round Auger Display Stand	12	\$42.00
*20021-2R	2" Round Auger Display Stand	12	\$42.00

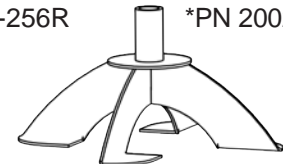
*May be used with Python Wire Winder.



PN 20021-2H

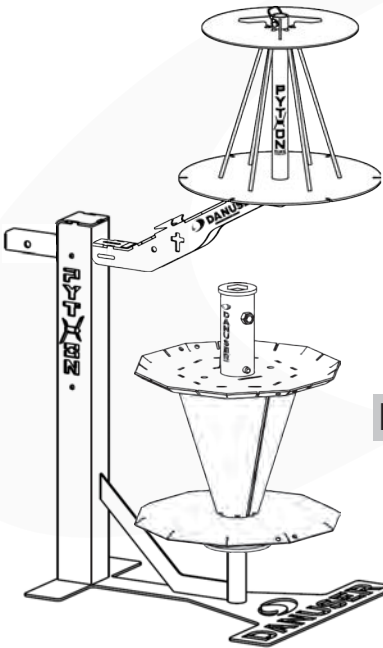


PN 20021-256R



*PN 20021-2R

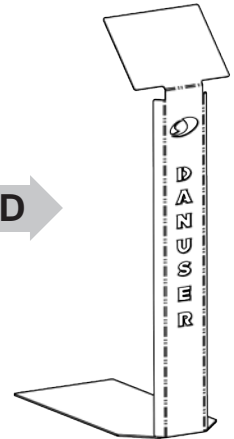
PYTHON DISPLAY STAND



PN	DESCRIPTION	WT.	NET PRICE
193000	Python Display Stand A single stand mounts both Python Wire Winder and Python Wire Unroller.	65	\$170.00

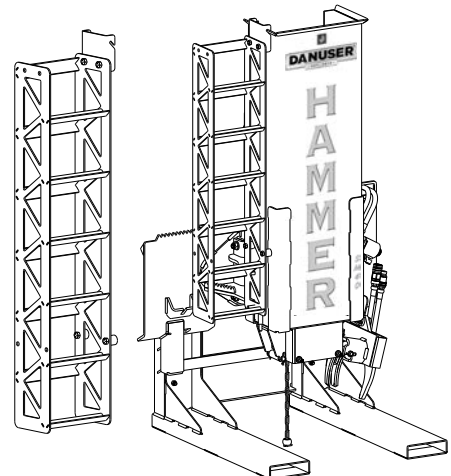
PRODUCT INFORMATIONAL DISPLAY STAND

PN	DESCRIPTION	WT.	NETPRICE
20192	Product Informational Display Stand Used for displaying product informational sheets.	28	\$54.00



HAMMER STRIKE PLATE DISPLAY STAND

PN	DESCRIPTION	WT.	NET PRICE
179180	Strike Plate Display Stand Displays up to six Hammer strike plates. May be mounted on side of Hammer.	36	\$131.00



F.O.B. FULTON, MISSOURI
Dollars are U.S. Dollars.

Danuser reserves the right to make changes in design, specifications, and prices without notice and without incurring any obligation relating to such changes.



Hornet Post Driver



Sales Training Guide

COMPETITIVE ADVANTAGES

- Hydraulic grapple option allows one person to pickup, load, and drive posts.
- Driving tools are made thicker and stronger than those of our competitors. This helps to prevent breaking during excessive use.
- Tool-less driving tool quick change means no hammer and punch needed to change driving tools.
- The Danuser Hornet comes with a filled nitrogen bottle, N2 charge kit, and chain with hook.
- The Danuser Hornet has an adjustable weight kit option. Fine tune the weight of the driver to match the operating capacity of the vehicle. Increases driving speed up to 50% faster.
- Unlike most of our competitors, our flow control valve allows us to run within a wider range of hydraulic requirements, including high flow machines, without accelerated wear on the breaker.
- Post holder w/tie down locations for transporting post/pipe when needed.
- High abrasion resistant hoses.
- T-Post adapter that can be used with flat or domed driving tool.

OPERATING INSTRUCTIONS

Please refer to the operator's manual for complete operating and safety information. For Hornets without the grapple function, consult the operator's manual.

- 1) Position grapple 2-3" from the top end of the post, cycle hydraulics in reverse to grapple the post, and load the post into the Hornet by lifting the post and placing it where it is to be driven.
- 2) Using the chain as a plumb bob and/or depth gauge, align the post by shifting the machine slowly left or right. Use the vehicle arms to align the post forward and backward.
- 3) Ensure the Hornet is fully down onto the post, use float mode or apply down force, then cycle the hydraulics forward to drive the post.
- 4) When the post is driven to the desired depth, move on to the next post and repeat these steps.



MODELS

The Hornet can be mounted to most skid-steers and excavators. Dedicated excavator mounts coming soon.



Hornet T7
T-Post to 7" O.D. Post/Pipe



Hornet T8-RR
T-Post to 8" O.D. Post/Pipe or Railroad Tie

Hornet	Model T7	Model T7 w/ Grapple	Model T8-RR	Model T8-RR w/ Grapple
Overall Width	45.75"			
Overall Length	27"	29.2"	27.4"	29.4"
Overall Height	46"	48.8"	52.8"	56.3"
Base Weight	1,180 lb.	1,461 lb.	1,560 lb.	1,679 lb.
Optional Weight Kit	Up to 616 lb., 14 weight plates (44 lb. each)			
Max. Strikes per Minute	500-900		400-800	
Hydraulic Requirements	2,000 - 3,500 PSI 10-30 GPM		2,200 - 3,500 PSI 13-30 GPM	
Driving Tool Shaft Diameter	2.677"		2.953"	
Driving Tool Inside Diameter (Max Post Size)	Domed: 7.27" Flat: 7.27"		Domed: 8.27" Flat: 8.27" Railroad Tie (Flat): 12.3"	
Excavator Weight*	9,000 lb. and over		13,500 lb. and over	
Impact Force (per strike)	32,832 lb.		42,432 lb.	
Energy Class	750 ft.-lb.		1,150 ft.-lb.	
Mount	Skid-Steer Quick Attach & Excavator (not for front-end loaders)			

*Do not exceed the rated operating capacity of your vehicle. The addition of a Hornet adds up to 1,600 lb. of additional weight. Verify that the vehicle has sufficient lifting capacity, in each of the different vehicle positions. On Hornets with a grapple, the post weight will need to be considered as additional weight for lifting capacity considerations.

SHARING TIPS

As you introduce the Hornet to dealers and end-users, be sure to implement the following helpful tips:

- Detail how the product is unique by touching on the points in the Competitive Advantages section of this guide.
- Touch on the reputation of Danuser as an American manufacturer of quality and innovative products for over 100 years.
- Give your customers the opportunity to try the Hornet by performing a product demonstration.

HOW TO RESPOND TO FAQs

If your customers have questions regarding the Hornet refer to the list of frequently asked questions below.

I'm not familiar with nitrogen charged post drivers.

- A. Jackhammer style post drivers have a chamber that holds a volume of nitrogen gas. The nitrogen is necessary for the post driver to perform the up and down stroke of the piston. The PSI of the nitrogen is critical to the operation of the driver. While a change in pressure can happen during dramatic seasonal changes, other than a routine pressure inspection, you should not need to do anything to the driver. See YouTube video for charging and checking nitrogen levels.

What type of maintenance is required?

- A. In addition to greasing the single grease zerk every two hours of use, checking the nitrogen pressure as the operator's manual recommends. A thorough inspection of this or any attachment is always a good idea.

Are there any wear or service parts on the Hornet?

- A. Yes. Hydraulic hoses and seals.

What type of driving tool comes with my Hornet?

- A. All Hornets come with the domed driving tool. The domed driving tool is best for driving pipe or non-decorative wood posts as it can leave a beveled edge. For decorative wood posts we suggest our flat driving tool.

What is the warranty for the Hornet?

- A. 1-Year Warranty

Feel free to contact Danuser for any other questions or concerns.
(573) 642-2246 or sales@danuser.com



LETTER FROM THE PRESIDENT

A word from the President of Danuser Machine Company,

I want to start out by saying thank you for your patience. As with all our products, we never rush to market, and we realize that may have caused some loss of market share, but what you can count on is that when we do release a product, “it must be right.”

Be assured we have tested, redesigned and tested again, pushing our products to the brink as we require more of ourselves than the industry standard when it comes to testing, again “it must be right.”

To get feedback from the field, we targeted customers who already owned jackhammer style post drivers and not some, but all, said we drove faster while being quieter than other machines. Every one asked if they could buy our machine as they wanted to keep it, but further testing and tweaking needed to be done because, again “it must be right.”

We may not be least expensive, and we may not be the first to market, but as for me and my team, you can count on one fact. We will stand by our 112-year-old motto of “Good enough won’t do – it must be right.”



Glenn Danuser- President
Danuser Machine Company





FOR MORE INFORMATION

Visit our website: www.Danuser.com

