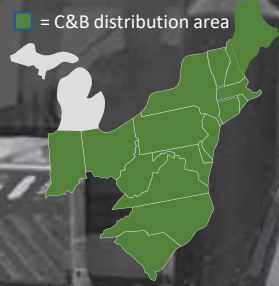


■ = C&B distribution area



UNLEASH
YOUR TRACTOR'S
VERSATILITY

PIT BULL

2024 PRICE LIST



REV 1.0

TUBE•LINE™

PRICE CATALOGUE INDEX

- Silage Blades4
- Front Wheel Assist4
- 1030 Series4
- 3050 Series7
- All Wheel Drive9
- 3060 Series9
- 4060 Series14
- Blade Options19
- Silage Rakes20
- Tractor Mount Guide23

FWA1030 - 10' Blade



- Standard Features
- 100 hp - 300 hp rating
 - 10 Foot Wide Mouldboard
 - 40" High Mouldboard
 - 30° Angle Left and Right

Model	Description	List Price
FWA10304W10PB	4 Way 10' Dozer Blade c/w Tractor Mount and Lift Group <ul style="list-style-type: none"> • D2X Hydraulic Quick Disconnect • Hydraulic Forward Pitch 	\$35,800.00
FWA10308W10PB	8 Way 10' Dozer Blade c/w Tractor Mount and Lift Group <ul style="list-style-type: none"> • D2X Hydraulic Quick Disconnect • Hydraulic Forward Pitch • 10° Tilt 	\$41,400.00
FWA10304W103PH	4 Way 10' Dozer Blade c/w 3 Point Hitch Mounting Brackets	\$16,900.00
FWA10306W103PH	6 Way 10' Dozer Blade c/w 3 Point Hitch Mounting Brackets <ul style="list-style-type: none"> • 10° Tilt 	\$22,200.00

Options	Description	QTY	List Price
SE103010	Silage Extension 18" High x 10' Wide	1	\$2,065.00
SHVEP103030	Silage High Vol. Endplates-Notched (30" deep from centre of blade)	2	\$1,980.00
HVEP103030	High Vol. Endplates-Full Length (30" deep from centre of blade)	2	\$1,980.00
DB1030BOE12	12" Wide bolt on Mouldboard Extension	2	\$2,960.00
DB1030LK	LED Light Kit (requires silage extension)	2	\$2,560.00

FWA1030 - 12' Blade



- Standard Features
- 100 hp - 300 hp rating
 - 12 Foot Wide Mouldboard
 - 40" High Mouldboard
 - 30° Angle Left and Right

Model	Description	List Price
FWA10304W12PB	4 Way 12' Dozer Blade c/w Tractor Mount and Lift Group <ul style="list-style-type: none"> • D2X Hydraulic Quick Disconnect • Hydraulic Forward Pitch 	\$36,450.00
FWA10308W12PB	8 Way 12' Dozer Blade c/w Tractor Mount and Lift Group <ul style="list-style-type: none"> • D2X Hydraulic Quick Disconnect • Hydraulic Forward Pitch • 10° Tilt 	\$42,030.00
FWA10304W123PH	4 Way 12' Dozer Blade c/w 3 Point Hitch Mounting Brackets	\$17,750.00
FWA10306W123PH	6 Way 12' Dozer Blade c/w 3 Point Hitch Mounting Brackets <ul style="list-style-type: none"> • 10° Tilt 	\$23,250.00

Options	Description	QTY	List Price
SE103012	Silage Extension 18" High x 12' Wide	1	\$2,175.00
SHVEP103030	Silage High Vol. Endplates-Notched (30" deep from centre of blade)	2	\$1,980.00
HVEP103030	High Vol. Endplates-Full Length (30" deep from centre of blade)	2	\$1,980.00
DB1030BOE12	12" Wide bolt on Mouldboard Extension	2	\$2,960.00
DB1030LK	LED Light Kit (requires silage extension)	2	\$2,560.00

FWA1030 - 14' Blade



- Standard Features
- 100 hp - 300 hp rating
 - 14 Foot Wide Mouldboard
 - 40" High Mouldboard
 - 30° Angle Left and Right

Model	Description	List Price
FWA10304W14PB	4 Way 14' Dozer Blade c/w Tractor Mount and Lift Group <ul style="list-style-type: none"> • D2X Hydraulic Quick Disconnect • Hydraulic Forward Pitch 	\$37,110.00
FWA10308W14PB	8 Way 14' Dozer Blade c/w Tractor Mount and Lift Group <ul style="list-style-type: none"> • D2X Hydraulic Quick Disconnect • Hydraulic Forward Pitch • 10° Tilt 	\$42,680.00
FWA10304W143PH	4 Way 14' Dozer Blade c/w 3 Point Hitch Mounting Brackets	\$18,400.00
FWA10306W143PH	6 Way 14' Dozer Blade c/w 3 Point Hitch Mounting Brackets <ul style="list-style-type: none"> • 10° Tilt 	\$24,230.00

Options	Description	QTY	List Price
SE103014	Silage Extension 18" High x 14' Wide	1	\$2,275.00
SHVEP103030	Silage High Vol. Endplates-Notched (30" deep from centre of blade)	2	\$1,980.00
HVEP103030	High Vol. Endplates-Full Length (30" deep from centre of blade)	2	\$1,980.00
DB1030BOE12	12" Wide bolt on Mouldboard Extension	2	\$2,960.00
DB1030LK	LED Light Kit (requires silage extension)	2	\$2,560.00

FWA3050 - 14' Blade



- Standard Features
- 300 hp - 600 hp rating
 - 14 Foot Wide Mouldboard
 - 44" High Mouldboard
 - 30° Angle Left and Right

Model	Description	List Price
FWA30504W14PB-23	4 Way 14' Dozer Blade c/w Tractor Mount and Lift Group <ul style="list-style-type: none"> • D2X Hydraulic Quick Disconnect • Hydraulic Forward Pitch 	\$59,100.00
FWA30508W14PB-23	8 Way 14' Dozer Blade c/w Tractor Mount and Lift Group <ul style="list-style-type: none"> • D2X Hydraulic Quick Disconnect • Hydraulic Forward Pitch • 10° Tilt 	\$61,500.00
FWA30504W143PH-23	4 Way 14' Dozer Blade c/w 3 Point Hitch Mounting Brackets	\$29,220.00
FWA30506W143PH-23	6 Way 14' Dozer Blade c/w 3 Point Hitch Mounting Brackets <ul style="list-style-type: none"> • 10° Tilt 	\$31,600.00

Options	Description	QTY	List Price
SE305014MF	Silage Extension (28" High)	1	\$2,950.00
SE305014HF	Hydraulic Folding Silage Extension (28" High)	1	\$5,100.00
SE3050143PHHF	Hydraulic Folding Silage Extension (28" High) for 3PH	1	\$4,485.00
SHVEP305030-23	Silage High Vol. Endplates-Notched (30" deep from centre of blade)	2	\$4,025.00
HVEP305030-23	High Vol. Endplates-Full Length (30" deep from centre of blade)	2	\$4,025.00
DB3050BOE12-23	12" Wide bolt on Mouldboard Extension	2	\$4,350.00
DB3060LK23	LED Light Kit	2	\$3,150.00

FWA3050 - 16' Blade



- Standard Features
- 300 hp - 600 hp rating
 - 16 Foot Wide Mouldboard
 - 44" High Mouldboard
 - 30° Angle Left and Right

Model	Description	List Price
FWA30504W16PB-23	4 Way 16' Dozer Blade c/w Tractor Mount and Lift Group <ul style="list-style-type: none"> • D2X Hydraulic Quick Disconnect • Hydraulic Forward Pitch 	\$60,750.00
FWA30508W16PB-23	8 Way 16' Dozer Blade c/w Tractor Mount and Lift Group <ul style="list-style-type: none"> • D2X Hydraulic Quick Disconnect • Hydraulic Forward Pitch • 10° Tilt 	\$63,200.00
FWA30504W163PH-23	4 Way 16' Dozer Blade c/w 3 Point Hitch Mounting Brackets	\$30,400.00
FWA30506W163PH-23	6 Way 16' Dozer Blade c/w 3 Point Hitch Mounting Brackets <ul style="list-style-type: none"> • 10° Tilt 	\$32,500.00

Options	Description	QTY	List Price
SE305016MF	Silage Extension (28" High)	1	\$3,050.00
SE305016HF	Hydraulic Folding Silage Extension (28" High)	1	\$5,200.00
SE3050163PHHF	Hydraulic Folding Silage Extension (28" High) for 3PH	1	\$4,585.00
SHVEP305030-23	Silage High Vol. Endplates-Notched (30" deep from centre of blade)	2	\$4,025.00
HVEP305030-23	High Vol. Endplates-Full Length (30" deep from centre of blade)	2	\$4,025.00
DB3050BOE12-23	12" Wide bolt on Mouldboard Extension	2	\$4,350.00
DB3060LK23	LED Light Kit	2	\$3,150.00

3060AG - 12' Blade



- Standard Features
- 300 hp - 600 hp rating
 - 12 Foot Wide Mouldboard
 - 48" High Mouldboard
 - 30° Angle Left and Right
 - Parallel Lift Height 48" (approx.)

Model	Description	List Price
FWD3060AG4W12-23	4 Way 12' Dozer Blade c/w Tractor Mount <ul style="list-style-type: none"> • Hydraulic Forward Pitch 	\$60,200.00
FWD3060AG8W12-23	8 Way 12' Dozer Blade c/w Tractor Mount <ul style="list-style-type: none"> • Hydraulic Forward Pitch • 10° Tilt 	\$62,800.00
FWD3060AG4W123PH-23	4 Way 12' Dozer Blade c/w 3 Point Hitch Mounting Brackets <ul style="list-style-type: none"> • 10° Tilt 	\$26,300.00
FWD3060AG6W123PH-23	6 Way 12' Dozer Blade c/w 3 Point Hitch Mounting Brackets <ul style="list-style-type: none"> • 10° Tilt 	\$29,250.00

Options	Description	QTY	List Price
SE306012MF	Silage Extension (28" High)	1	\$2,800.00
SE306012HF	Hydraulic Folding Silage Extension (28" High)	1	\$4,950.00
SE3060123PHHF	Hydraulic Folding Silage Extension (28" High) for 3PH	1	\$4,335.00
SHVEP306036-23	Silage High Vol. Endplates-Notched (36" deep from centre of blade)	2	\$4,225.00
HVEP306036-23	High Vol. Endplates-Full Length (36" deep from centre of blade)	2	\$4,225.00
DB3060AGBOE12-23	12" Wide bolt on Mouldboard Extension	2	\$4,560.00
DB3060AGBOE24-23	24" Wide bolt on Mouldboard Extension	2	\$6,030.00
DB3060LK23	LED Light Kit	4	\$3,150.00

3060AG - 14' Blade



- Standard Features
- 300 hp - 600 hp rating
 - 14 Foot Wide Mouldboard
 - 48" High Mouldboard
 - 30° Angle Left and Right
 - Parallel Lift Height 48" (approx.)

Model	Description	List Price
FWD3060AG4W14-23	4 Way 14' Dozer Blade c/w Tractor Mount <ul style="list-style-type: none"> • Hydraulic Forward Pitch 	\$61,900.00
FWD3060AG8W14-23	8 Way 14' Dozer Blade c/w Tractor Mount <ul style="list-style-type: none"> • Hydraulic Forward Pitch • 10° Tilt 	\$64,500.00
FWD3060AG4W143PH-23	4 Way 14' Dozer Blade c/w 3 Point Hitch Mounting Brackets <ul style="list-style-type: none"> • 10° Tilt 	\$30,610.00
FWD3060AG6W143PH-23	6 Way 14' Dozer Blade c/w 3 Point Hitch Mounting Brackets <ul style="list-style-type: none"> • 10° Tilt 	\$33,150.00

Options	Description	QTY	List Price
SE306014MF	Silage Extension (28" High)	1	\$2,950.00
SE306014HF	Hydraulic Folding Silage Extension (28" High)	1	\$5,100.00
SE3060143PHHF	Hydraulic Folding Silage Extension (28" High) for 3PH	1	\$4,485.00
SHVEP306036-23	Silage High Vol. Endplates-Notched (36" deep from centre of blade)	2	\$4,225.00
HVEP306036-23	High Vol. Endplates-Full Length (36" deep from centre of blade)	2	\$4,225.00
DB3060AGBOE12-23	12" Wide bolt on Mouldboard Extension	2	\$4,560.00
DB3060AGBOE24-23	24" Wide bolt on Mouldboard Extension	2	\$6,030.00
DB3060LK23	LED Light Kit	4	\$3,150.00

3060AG - 16' Blade



- Standard Features
- 300 hp - 600 hp rating
 - 16 Foot Wide Mouldboard
 - 48" High Mouldboard
 - 30° Angle Left and Right
 - Parallel Lift Height 48" (approx.)

Model	Description	List Price
FWD3060AG4W16-23	4 Way 16' Dozer Blade c/w Tractor Mount <ul style="list-style-type: none"> • Hydraulic Forward Pitch 	\$63,650.00
FWD3060AG8W16-23	8 Way 16' Dozer Blade c/w Tractor Mount <ul style="list-style-type: none"> • Hydraulic Forward Pitch • 10° Tilt 	\$66,210.00
FWD3060AG4W163PH-23	4 Way 16' Dozer Blade c/w 3 Point Hitch Mounting Brackets <ul style="list-style-type: none"> • 10° Tilt 	\$31,850.00
FWD3060AG6W163PH-23	6 Way 16' Dozer Blade c/w 3 Point Hitch Mounting Brackets <ul style="list-style-type: none"> • 10° Tilt 	\$34,050.00

Options	Description	QTY	List Price
SE306016MF	Silage Extension (28" High)	1	\$3,050.00
SE306016HF	Hydraulic Folding Silage Extension (28" High)	1	\$5,200.00
SE3060163PHHF	Hydraulic Folding Silage Extension (28" High) for 3PH	1	\$4,585.00
SHVEP306036-23	Silage High Vol. Endplates-Notched (36" deep from centre of blade)	2	\$4,225.00
HVEP306036-23	High Vol. Endplates-Full Length (36" deep from centre of blade)	2	\$4,225.00
DB3060AGBOE12-23	12" Wide bolt on Mouldboard Extension	2	\$4,560.00
DB3060LK23	LED Light Kit	4	\$3,150.00

3060AG - 18' Blade



- Standard Features
- 300 hp - 600 hp rating
 - 18 Foot Wide Mouldboard
 - 48" High Mouldboard
 - 30° Angle Left and Right
 - Parallel Lift Height 48" (approx.)

Model	Description	List Price
FWD3060AG4W18-23	4 Way 18' Dozer Blade c/w Tractor Mount <ul style="list-style-type: none"> • Hydraulic Forward Pitch 	\$65,350.00
FWD3060AG8W18-23	8 Way 18' Dozer Blade c/w Tractor Mount <ul style="list-style-type: none"> • Hydraulic Forward Pitch • 10° Tilt 	\$67,950.00
FWD3060AG4W183PH-23	4 Way 18' Dozer Blade c/w 3 Point Hitch Mounting Brackets <ul style="list-style-type: none"> • 10° Tilt 	\$32,670.00
FWD3060AG6W183PH-23	6 Way 18' Dozer Blade c/w 3 Point Hitch Mounting Brackets <ul style="list-style-type: none"> • 10° Tilt 	\$34,850.00

Options	Description	QTY	List Price
SE306018MF	Silage Extension (28" High)	1	\$3,350.00
SE306018HF	Hydraulic Folding Silage Extension (28" High)	1	\$5,500.00
SE3060183PHHF	Hydraulic Folding Silage Extension (28" High) for 3PH	1	\$4,885.00
SHVEP306036-23	Silage High Vol. Endplates-Notched (36" deep from centre of blade)	2	\$4,225.00
HVEP306036-23	High Vol. Endplates-Full Length (36" deep from centre of blade)	2	\$4,225.00
DB3060AGBOE12-23	12" Wide bolt on Mouldboard Extension	2	\$4,560.00
DB3060AGBOE24-23	24" Wide bolt on Mouldboard Extension	2	\$6,030.00
DB3060LK23	LED Light Kit	4	\$3,150.00

3060AG - 20' Blade



- Standard Features
- 300 hp - 600 hp rating
 - 20 Foot Wide Mouldboard
 - 48" High Mouldboard
 - 30° Angle Left and Right
 - Parallel Lift Height 48" (approx.)

Model	Description	List Price
FWD3060AG4W20-23	4 Way 20' Dozer Blade c/w Tractor Mount <ul style="list-style-type: none"> • Hydraulic Forward Pitch 	\$67,060.00
FWD3060AG8W20-23	8 Way 20' Dozer Blade c/w Tractor Mount <ul style="list-style-type: none"> • Hydraulic Forward Pitch • 10° Tilt 	\$69,650.00
FWD3060AG4W203PH-23	4 Way 20' Dozer Blade c/w 3 Point Hitch Mounting Brackets <ul style="list-style-type: none"> • 10° Tilt 	\$34,050.00
FWD3060AG6W203PH-23	6 Way 20' Dozer Blade c/w 3 Point Hitch Mounting Brackets <ul style="list-style-type: none"> • 10° Tilt 	\$36,300.00

Options	Description	QTY	List Price
SE306020MF	Silage Extension (28" High)	1	\$3,715.00
SE306020HF	Hydraulic Foldig Silage Extension (28" High)	1	\$5,865.00
SE3060203PHHF	Hydraulic Foldig Silage Extension (28" High) for 3PH	1	\$5,250.00
SHVEP306036-23	Silage High Vol. Endplates-Notched (36" deep from centre of blade)	2	\$4,225.00
HVEP306036-23	High Vol. Endplates-Full Length (36" deep from centre of blade)	2	\$4,225.00
DB3060AGBOE12-23	12" Wide bolt on Mouldboard Extension	2	\$4,560.00
DB3060AGBOE24-23	24" Wide bolt on Mouldboard Extension	2	\$6,030.00
DB3060LK23	LED Light Kit	4	\$3,150.00

4060HD - 12' Blade



Standard Features

- 400 hp - 600 hp rating
- 12 Foot Wide Mouldboard
- 48" High Mouldboard
- 30° Angle Left and Right
- Parallel Lift Height 48" (approx.)

Model	Description	List Price
FWD4060HD4W12-23	4 Way 12' Dozer Blade c/w Tractor Mount <ul style="list-style-type: none"> • Hydraulic Forward Pitch 	\$61,900.00
FWD4060HD8W12-23	8 Way 12' Dozer Blade c/w Tractor Mount <ul style="list-style-type: none"> • Hydraulic Forward Pitch • 10° Tilt 	\$66,200.00

Options	Description	QTY	List Price
SE306012MF	Silage Extension (28" High)	1	\$2,800.00
SE306012HF	Hydraulic Folding Silage Extension (28" High)	1	\$4,950.00
SHVEP406036-23	Silage High Vol. Endplates-Notched (36" deep from centre of blade)	2	\$4,225.00
HVEP406036-23	High Vol. Endplates-Full Length (36" deep from centre of blade)	2	\$4,225.00
DB4060AGBOE12-23	12" Wide bolt on Mouldboard Extension	2	\$4,560.00
DB3060LK23	LED Light Kit	4	\$3,150.00

4060HD - 14' Blade



- Standard Features
- 400 hp - 600 hp rating
 - 16 Foot Wide Mouldboard
 - 48" High Mouldboard
 - 30° Angle Left and Right
 - Parallel Lift Height 48" (approx.)

Model	Description	List Price
FWD4060HD4W14-23	4 Way 14' Dozer Blade c/w Tractor Mount <ul style="list-style-type: none"> • Hydraulic Forward Pitch 	\$64,100.00
FWD4060HD8W14-23	8 Way 14' Dozer Blade c/w Tractor Mount <ul style="list-style-type: none"> • Hydraulic Forward Pitch • 10° Tilt 	\$68,400.00

Options	Description	QTY	List Price
SE306014MF	Silage Extension (28" High)	1	\$2,950.00
SE306014HF	Hydraulic Folding Silage Extension (28" High)	1	\$5,100.00
SHVEP406036-23	Silage High Vol. Endplates-Notched (36" deep from centre of blade)	2	\$4,225.00
HVEP406036-23	High Vol. Endplates-Full Length (36" deep from centre of blade)	2	\$4,225.00
DB4060AGBOE12-23	12" Wide bolt on Mouldboard Extension	2	\$4,560.00
DB3060LK23	LED Light Kit	4	\$3,150.00

4060HD - 16' Blade



Standard Features

- 400 hp - 600 hp rating
- 16 Foot Wide Mouldboard
- 48" High Mouldboard
- 30° Angle Left and Right
- Parallel Lift Height 48" (approx.)

Model	Description	List Price
FWD4060HD4W16-23	4 Way 16' Dozer Blade c/w Tractor Mount <ul style="list-style-type: none"> • Hydraulic Forward Pitch 	\$66,210.00
FWD4060HD8W16-23	8 Way 16' Dozer Blade c/w Tractor Mount <ul style="list-style-type: none"> • Hydraulic Forward Pitch • 10° Tilt 	\$70,500.00

Options	Description	QTY	List Price
SE306016MF	Silage Extension (28" High)	1	\$3,050.00
SE306016HF	Hydraulic Folding Silage Extension (28" High)	1	\$5,200.00
SHVEP406036-23	Silage High Vol. Endplates-Notched (36" deep from centre of blade)	2	\$4,225.00
HVEP406036-23	High Vol. Endplates-Full Length (36" deep from centre of blade)	2	\$4,225.00
DB4060AGBOE12-23	12" Wide bolt on Mouldboard Extension	2	\$4,560.00
DB3060LK23	LED Light Kit	4	\$3,150.00

4060HD - 18' Blade



- Standard Features
- 400 hp - 600 hp rating
 - 18 Foot Wide Mouldboard
 - 48" High Mouldboard
 - 30° Angle Left and Right
 - Parallel Lift Height 48" (approx.)

Model	Description	List Price
FWD4060HD4W18-23	4 Way 18' Dozer Blade c/w Tractor Mount <ul style="list-style-type: none"> • Hydraulic Forward Pitch 	\$68,360.00
FWD4060HD8W18-23	8 Way 18' Dozer Blade c/w Tractor Mount <ul style="list-style-type: none"> • Hydraulic Forward Pitch • 10° Tilt 	\$72,700.00

Options	Description	QTY	List Price
SE306018MF	Silage Extension (28" High)	1	\$3,350.00
SE306018HF	Hydraulic Folding Silage Extension (28" High)	1	\$5,500.00
SHVEP406036-23	Silage High Vol. Endplates-Notched (36" deep from centre of blade)	2	\$4,225.00
HVEP406036-23	High Vol. Endplates-Full Length (36" deep from centre of blade)	2	\$4,225.00
DB4060AGBOE12-23	12" Wide bolt on Mouldboard Extension	2	\$4,560.00
DB3060LK23	LED Light Kit	4	\$3,150.00

4060HD - 20' Blade



- Standard Features
- 400 hp - 600 hp rating
 - 20 Foot Wide Mouldboard
 - 48" High Mouldboard
 - 30° Angle Left and Right
 - Parallel Lift Height 48" (approx.)

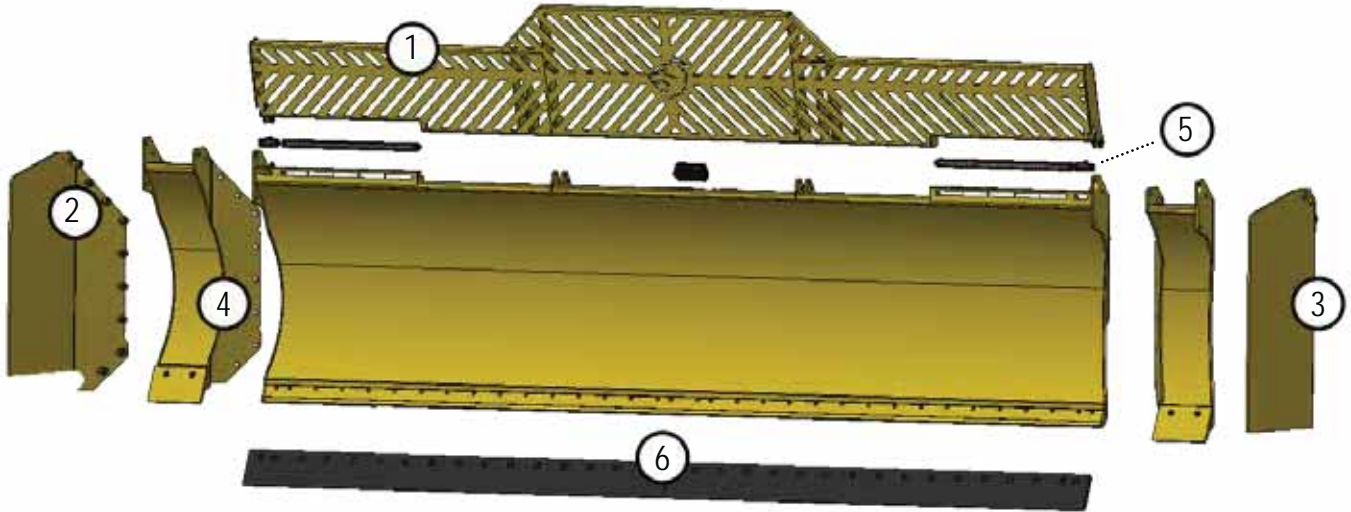
Model	Description	List Price
FWD4060HD4W20-23	4 Way 20' Dozer Blade c/w Tractor Mount <ul style="list-style-type: none"> • Hydraulic Forward Pitch 	\$70,500.00
FWD4060HD8W20-23	8 Way 20' Dozer Blade c/w Tractor Mount <ul style="list-style-type: none"> • Hydraulic Forward Pitch • 10° Tilt 	\$74,810.00

Options	Description	QTY	List Price
SE306020MF	Silage Extension (28" High)	1	\$3,715.00
SE306020HF	Hydraulic Folding Silage Extension (28" High)	1	\$5,865.00
SHVEP406036-23	Silage High Vol. Endplates-Notched (36" deep from centre of blade)	2	\$4,225.00
HVEP406036-23	High Vol. Endplates-Full Length (36" deep from centre of blade)	2	\$4,225.00
DB4060AGBOE12-23	12" Wide bolt on Mouldboard Extension	2	\$4,560.00
DB3060LK23	LED Light Kit	4	\$3,150.00

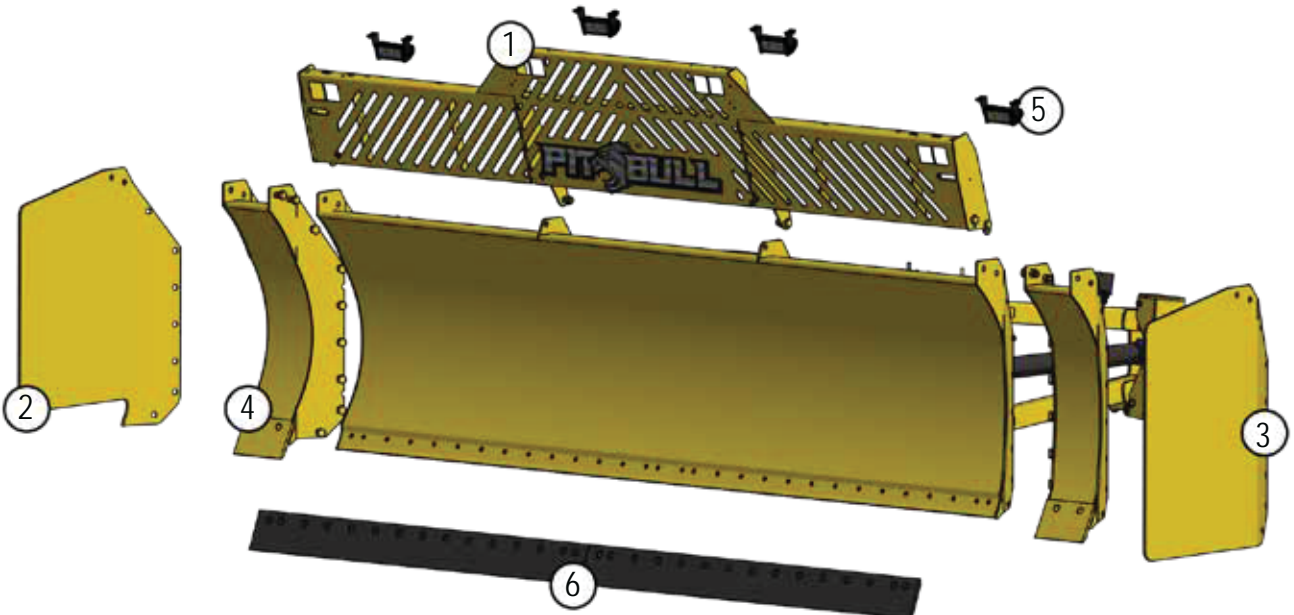
Blade Options

- 1. Silage Extension
- 2. Silage High Volume Endplates
- 3. High Volume Endplates
- 4. Mouldboard Width Extensions
- 5. LED Light Kit
- 6. Cutting Edge

2023 Models



2022 and Earlier



Pit Bull Rake



Standard Features For 100 HP to 200 HP Tractors
 4 Removable 49" Conus Side Spears
 Two 3x12 Cylinders
 High Flow Divider for Even Push Off
 High Strength Abrasion Resistant Tines

Model	Description	Wt. (LBS)	List Price
PB096RL	96" Rake (Dimensions 96" x 51" x 58")	2,105	\$13,450.00
PB120RL	120" Rake (Dimensions 120" x 51" x 58")	2,404	\$15,700.00
PB144RL	144" Rake (Dimensions 144" x 51" x 58")	2,702	\$17,820.00

Model	Description	List Price
PBAD3PH	3 Point Hitch Adapter	\$1,650.00
PBADCAT24	Cat Attachment	\$2,095.00
PBADVOL5Q	Volvo Adapter	\$2,095.00
PBADJCB	JCB Q-FIT Adapter	\$2,095.00
PBADJD660R	JD 660 Adapter	\$2,095.00
PBADAO600	ALO Adapter	\$1,215.00

Pit Bull Rake



Standard Features

- For 150 HP to 350 HP Tractors
- 8 Removable 49" Conus Side Spears
- Two 3x12 Cylinders
- High Flow Divider for Even Push Off
- High Strength Abrasion Resistant Tines

Model	Description	Wt. (LBS)	List Price
PB096R	96" Rake (Dimensions 96" x 65" x 70")	2,739	\$14,400.00
PB120R	120" Rake (Dimensions 120" x 65" x 70")	3,103	\$16,400.00
PB144R	144" Rake (Dimensions 144" x 65" x 70")	3,467	\$18,450.00

Model	Description	List Price
PBAD3PH	3 Point Hitch Adapter	\$1,650.00
PBADCAT24	Cat Attachment	\$2,095.00
PBADVOL5Q	Volvo Adapter	\$2,095.00
PBADJCB	JCB Q-FIT Adapter	\$2,095.00
PBADJD660R	JD 660 Adapter	\$2,095.00
PBADAO600	ALO Adapter	\$1,215.00

Pit Bull Silage Rake



Standard Features

- For 150 hp to 350 hp tractors
- Specifically designed for tractors with loader attachment
- Same strength rating as our regular duty Pitbull Rake, but over 1000 lbs. lighter
- Not push off
- Fits our bolt-on attachments

Model	Description	Wt. (LBS)	List Price
PB096SF	96" Silage Fork (Dimensions 96" x 67" x 64")	1,434	\$8,760.00
PB120SF	120" Silage Fork (Dimensions 120" x 67" x 64")	1,791	\$10,950.00
PB144SF	144" Silage Fork (Dimensions 144" x 67" x 64")	2,157	\$13,140.00

Model	Description	List Price
PBAD3PH	3 Point Hitch Adapter	\$1,650.00
PBADCAT24	Cat Attachment	\$2,095.00
PBADVOL5Q	Volvo Adapter	\$2,095.00
PBADJCB	JCB Q-FIT Adapter	\$2,095.00
PBADJD660R	JD 660 Adapter	\$2,095.00
PBADAO600	ALO Adapter	\$1,215.00

Tractor Mounts

Please contact the Tubeline office for current product availability.

Tractor Models	Tractor Type	UnderMount Item #	Tractor Model	Dozer Series
Challenger				
		UM3050F1038IVTFS	1038	3050FWA
			1042	3050FWA
			1046	3050FWA
			1050	3050FWA
		UM3060CMT845C	MT800	3060AG
			MT835	3060AG
			MT845	3060AG
			MT855	3060AG
			MT865	3060AG
			MT835B	3060AG
			MT845B	3060AG
			MT855B	3060AG/4060HD
			MT865B	3060AG/4060HD
			MT875B	3060AG/4060HD
			MT835C	3060AG
			MT845C	3060AG
			MT855C	3060AG/4060HD
			MT865C	3060AG/4060HD
			MT875C	3060AG/4060HD
		UM3060CMT945C	MT945B	3060AG
			MT955B	3060AG/4060HD
			MT965B	3060AG/4060HD
			MT975B	3060AG/4060HD
			MT945C	3060AG/4060HD
			MT955C	3060AG/4060HD
			MT965C	3060AG/4060HD
			MT975C	3060AG/4060HD
			MT955E	3060AG/4060HD
			MT965E	3060AG/4060HD
			MT975E	3060AG/4060HD
Case				
MAGNUM and MX Series	FWA	UM1030CMA305NSPB	215	
			245	1030FWA
			275	1030FWA
			305	1030FWA
			335	1030FWA

Tractor Models	Tractor Type	UnderMount Item #	Tractor Model	Dozer Series
Case				
			MX215	1030FWA
			MX245	1030FWA
			MX275	1030FWA
			MX305	1030FWA
			MX335	1030FWA
MAGNUM and TIER 4	FWA	UM1030CMAG310	235	
		UM1030MA310FSPB	250	1030FWA
			260	1030FWA
			280	1030FWA
			290	1030FWA
			310 - TIER 4	1030FWA
			315 - TIER 4	1030FWA
			340 - TIER 4	1030FWA
			380 - TIER 4	1030FWA
STEIGER / STX ACCUSTEER	4WD	UM3060CSTX275AS	STEIGER 335 accu	3060AG
			STX 275 accu	3060AG
			STX 280 accu	3060AG
			STX 325 accu	3060AG
			STX 330 accu	3060AG
			STX 335 accu	3060AG
STEIGER / STX Regular Duty	4WD	UM3060C385	STEIGER 385	3060AG
			STEIGER 435	3060AG
			STX 375	3060AG
			STX 380	3060AG
			STX 385	3060AG
			STX 425	3060AG
			STX 430	3060AG
			STX 435	3060AG
			STX 450	3060AG/4060HD
STEIGER / STX Heavy Duty	4WD	UM3060C385HD	STEIGER 385 HD	3060AG
			STEIGER 435 HD	3060AG
			STX 375 HD	3060AG
			STX 380 HD	3060AG
			STX 385 HD	3060AG
			STX 425	3060AG
			STX 425 HD	3060AG
			STX 430 HD	3060AG
			STX 435 HD	3060AG
			STX 440	3060AG

Tractor Models	Tractor Type	UnderMount Item #	Tractor Model	Dozer Series
Case				
STEIGER / STX Heavy Duty	4WD	UM3060C385HD	STX 450	3060AG/4060HD
			STX 450 HD	3060AG/4060HD
			STX 500	3060AG/4060HD
			STX 500 HD	3060AG/4060HD
STEIGER / STX Heavy Duty	4WD	UM3060CSTX530HD	STEIGER 485 HD	3060AG/4060HD
			STEIGER 535 HD	3060AG/4060HD
			STX 480 HD	3060AG/4060HD
			STX 485 HD	3060AG/4060HD
			STX 530HD	3060AG/4060HD
			STX 535 HD	3060AG/4060HD
STIEGER Tier 4 (A) (B)	4WD	UM3060CIH400	350	3060AG
			370	3060AG
			400	3060AG
			420	3060AG
			450	3060AG/4060HD
			470	3060AG/4060HD
STIEGER Tier 4 (A) (B)	4WD	UM3060C600T4	500 HD	3060AG/4060HD
			540 STD	3060AG/4060HD
			540 HD	3060AG/4060HD
			550 STD	3060AG/4060HD
			550 HD	3060AG/4060HD
			580 HD	3060AG/4060HD
			600 HD	3060AG/4060HD
			620 HD	3060AG/4060HD
STX QUADTRAC	Quad Trac	UM3060C450QT	STX 375 HD	3060AG
			STX 425	3060AG
			STX 440	3060AG
			STX 450	3060AG/4060HD
			STX 500	3060AG/4060HD
STEIGER / STX QUADTRAC	Quad Trac	UM3060C385QT	STEIGER 435	3060AG
			STX 375	3060AG
			STX 380	3060AG
			STX 385	3060AG
			STX 425	3060AG
			STX 430	3060AG
			STX 435	3060AG
			STX 450	3060AG/4060HD
			STX 500	3060AG/4060HD

Tractor Models	Tractor Type	UnderMount Item #	Tractor Model	Dozer Series
Case				
STEIGER / STX QUADTRAC	Quad Trac	UM3060C485HDQT	STEIGER 485 HD	3060AG/4060HD
			STEIGER 535 HD	3060AG/4060HD
			STX 480 HD	3060AG/4060HD
			STX 485 HD	3060AG/4060HD
			STX 530 HD	3060AG/4060HD
			STX 535 HD	3060AG/4060HD
STEIGER Tier 4 (A) (B) QUAD TRAC	Quad Trac	UM3060C450T4QT	450	3060AG/4060HD
			470	3060AG/4060HD
			500	3060AG/4060HD
			540	3060AG/4060HD
			550	3060AG/4060HD
			580	3060AG/4060HD
			600	3060AG/4060HD
			620	3060AG/4060HD

Fendt				
	FWA	UM3050F1038IVTFS	1038	3050
			1042	3050
			1046	3050
			1050	3050

Ford - NH				
T8. Series Tier 4		UM1030NHT8320PB	T8.275	1030FWA
			T8.300	1030FWA
			T8.320	1030FWA
			T8.330	1030FWA
			T8.350	1030FWA
			T8.360	1030FWA
			T8.380	1030FWA
			T8.390	1030FWA
			T8.410	1030FWA
			T8.435	1030FWA
T9.Series Tier 4A/4B		UM3060CIH400	T9.390	3060AG
			T9.435	3060AG
			T9.450	3060AG/4060HD
			T9.480	3060AG/4060HD
			T9.505	3060AG/4060HD
			T9.530	3060AG/4060HD
			T9.560	3060AG/4060HD
			T9.565	3060AG/4060HD

Tractor Models	Tractor Type	UnderMount Item #	Tractor Model	Dozer Series
Ford - NH				
T9.Series Tier 4A/4B		UM3060C600T4	T9.600	3060AG/4060HD
			T9.615	3060AG/4060HD
			T9.645	3060AG/4060HD
			T9.670	3060AG/4060HD
			T9.670 HD	3060AG/4060HD
			T9.700	3060AG/4060HD

John Deere				
	FWA	UM1030J8200PB	8100	
			8200	1030FWA
			8300	1030FWA
			8400	1030FWA
			8110	1030FWA
			8210	1030FWA
			8310	1030FWA
			8410	1030FWA
R Series	FWA	UM1030J8225RPSTPB	8225R	1030FWA
**30 Series			8245R	1030FWA
Power Shift Transmission ONLY			8270R	1030FWA
			8295R	1030FWA
			8320R	1030FWA
			8345R	1030FWA
			8130	1030FWA
			8230	1030FWA
			8330	1030FWA
			8430	1030FWA
			8530	1030FWA
R Series	FWA	UM1030J8295RT4PSTPB	8235R	1030FWA
			8260R	1030FWA
Power Shift Transmission ONLY			8285R	1030FWA
Fits Final T4			8310R	1030FWA
			8335R	1030FWA
			8360R	1030FWA
			8245R T4	1030FWA
			8270R T4	1030FWA
			8295R T4	1030FWA
			8320R T4	1030FWA
			8345R T4	1030FWA
			8370R T4	1030FWA
R Series	FWA	UM1030J8130IVTPB	8225R	1030FWA
**30 Series			8245R	1030FWA

Tractor Models	Tractor Type	UnderMount Item #	Tractor Model	Dozer Series
John Deere				
IVT Transmission ONLY			8270R	1030FWA
			8295R	1030FWA
			8320R	1030FWA
			8345R	1030FWA
			8130	1030FWA
			8230	1030FWA
			8330	1030FWA
			8430	1030FWA
			8530	1030FWA
R Series	FWA	UM1030J8295RT4IVTFSPB	8235R	1030FWA
IVT Transmission ONLY			8260R	1030FWA
Fits Final T4			8285R	1030FWA
			8310R	1030FWA
			8335R	1030FWA
			8360R	1030FWA
			8245R T4	1030FWA
			8270R T4	1030FWA
			8295R T4	1030FWA
			8320R T4	1030FWA
			8345R T4	1030FWA
			8370R T4	1030FWA
8R Series 2020	FWA	UM1030J8R310FSPB	8R 230	1030FWA
			8R 250	1030FWA
			8R 280	1030FWA
			8R 310	1030FWA
			8R 340	1030FWA
			8R 370	1030FWA
			8R 410	1030FWA
	4WD	UM3060J9520	9100	3060AG
			9200	3060AG
			9300	3060AG
			9400	3060AG
			9120	3060AG
			9220	3060AG
			9320	3060AG
			9420	3060AG/4060HD
			9520	3060AG/4060HD
			9620	3060AG/4060HD
	4WD	UM3060J9430	9230	3060AG
			9330	3060AG
			9430	3060AG

Tractor Models	Tractor Type	UnderMount Item #	Tractor Model	Dozer Series
John Deere				
			9530	3060AG/4060HD
			9630	3060AG/4060HD
R Series	4WD	UM3060J9460R	9360R	3060AG
			9410R	3060AG
			9460R	3060AG/4060HD
			9510R	3060AG/4060HD
			9560R	3060AG/4060HD
R Series	4WD	UM3060J9470R	9370R	3060AG
2014 final tier 4 models			9420R	3060AG
Single Reduction Axle			9470R	3060AG/4060HD
R Series	4WD	UM3060J9520R	9520R	3060AG
2014 final tier 4 models			9570R	4060HD
Double Reduction Axle			-	-
Without hydra cushion			-	-
R Series	4WD	UM3060J9570R	9520R	3060AG/4060HD
2014 final tier 4 models			9570R	3060AG/4060HD
Double Reduction Axle			9620R	3060AG/4060HD
With hydra cushion			-	-
RX Series		UM3060J9620RX	9420RX	3060AG/4060HD
			9470RX	3060AG/4060HD
			9520RX	3060AG/4060HD
			9570RX	3060AG/4060HD
			9620RX	3060AG/4060HD
R Series		UM3060J9R640	9R 390	3060AG
2022 model and onward			9R 440	3060AG
			9R 490	3060AG
			9R 540	3060AG
			9R 590	4060HD
			9R 640	4060HD
R Series model and onward		UM3060J9RX640	9RX 490	3060AG
			9RX 540	3060AG
			9RX 590	3060AG
			9RX 640	3060AG

Tractor Models	Tractor Type	UnderMount Item #	Tractor Model	Dozer Series
Versatile				
	4WD	UM3060V375	350	3060AG
			375	3060AG
			380	3060AG
			400	3060AG
			405	3060AG
			430	3060AG
			460	3060AG
	4WD	UM3060V500	450	3060AG/4060HD
			500	3060AG/4060HD
			520	3060AG/4060HD
			550	3060AG/4060HD
			570	3060AG/4060HD
			610	3060AG/4060HD
	Delta Track	UM3060V450DT	450DT	3060AG/4060HD
			500DT	3060AG/4060HD
			520DT	3060AG/4060HD
			550DT	3060AG/4060HD
			570DT	3060AG/4060HD
			610DT	3060AG/4060HD



All Tubeline pricing is Canadian list.
Some setup may be required.
Freight is FOB Elmira, Ontario.

Tubeline Manufacturing Ltd.
6455 Reid Woods Drive RR#4 Elmira, ON, Canada
N3B 2Z3

1-888-856-6613

Phone: (519) 669-9488 Fax: (519) 669-5808
Email: sales@tubeline.ca www.tubeline.ca